

# Model J-P2 (G080)

## PARTS CATALOG

First edition, January 2003

Ricoh Company, LTD.

**Model J-P2 (G080)**

**PARTS CATALOG**

This catalog gives the numbers and names of parts on this machine.

Model J-P2	(G080)
Duplex Unit Type 7000	(G348)
Paper Feed Unit Type 3800C (1Tray)	(G567)
Paper Feed Unit Type 3800C (2 Trays)	(G568)
Paper Bank PS470	(G569)
SR770	(G565)
Punch Kit Type 1045	(B377)
Mail Bin Type 3800C	(G566)
Copier Feature Expander Type 7000	(G367)
PT460	(G306)

**Model J-P2 (G080)**

**PARTS CATALOG**

This catalog gives the numbers and names of parts on this machine.

Platen Cover type 3800C	(G329)
DF73	(G564)
Fax Option	(G307/G324/325)
G3 Interface Unit Type 3800C	
ISDN Option Type 3800C	

**Model J-P2 (G080)**



## Input Document Property ModelCode

### PARTS CATALOG

This catalog gives the numbers and names of parts on this machine.

<b>Location of unit .....</b>	<b>2</b>	17.Transfer Unit 3 (G080).....	40
1.Exterior 1 (G080).....	8	18.Transfer Unit 4 (G080).....	42
2.Exterior 2 (G080).....	10	19.Fusing Unit 1 (G080).....	44
3.Laser Unit (G080).....	12	20.Fusing Unit 2 (G080).....	46
4.1st Cassette (G080).....	14	21.Paper Exit Section 1 (G080).....	48
5.2nd Cassette (G080).....	16	22.Paper Exit Section 2 (G080).....	50
6.1st Paper Feed Section (G080).....	18	23.Paper Exit Section 3 (G080).....	52
7.2nd Paper Feed Section (G080).....	20	24.Paper Exit Section 4 (G080).....	54
8.Vertical Transport Section (G080).....	22	25.Paper Exit Section 5 (G080).....	56
9.Manual Paper Feed 1 (G080).....	24	26.Waste Toner Transfer Section (G080).....	58
10.Manual Paper Feed 2 (G080).....	26	27.Drive Section 1 (G080).....	60
11.Paper Resistration (G080).....	28	28.Drive Section 2 (G080).....	62
12.Color Toner Hopper (G080).....	30	29.Drive Section 3 (G080).....	64
13.Black Toner Hopper (G080).....	32	30.Drive Section 4 (G080).....	66
14.PCU/Development Unit (G080).....	34	31.Electrical Section 1 (G080).....	68
15.Transfer Unit 1 (G080).....	36	32.Electrical Section 2 (G080).....	70
16.Transfer Unit 2 (G080).....	38	33.Frame Section 1 (G080).....	72
		34.Frame Section 2 (G080).....	74

January ,25 ' 2003

**Input Document Property ModelCode**

**PARTS CATALOG**

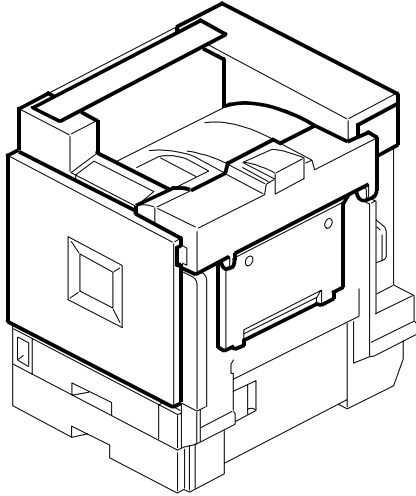
This catalog gives the numbers and names of parts on this machine.

35.Frame Section 3 (G080).....	76
36.Printer Control Board (G080) .....	78
37.BCU Board (G080) .....	88
38.Decals And Documents (G080) .....	100
39.Special Tools (G080).....	102
<b>Parts Index .....</b>	<b>105</b>

**January ,25 ' 2003**

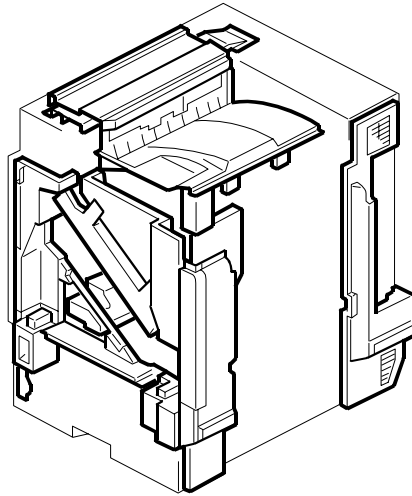
## LOCATIONS OF UNITS

1. Exterior 1 (G080)



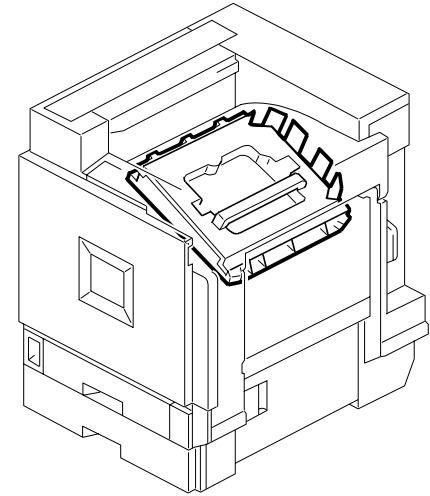
See Page 9

2. Exterior 2 (G080)



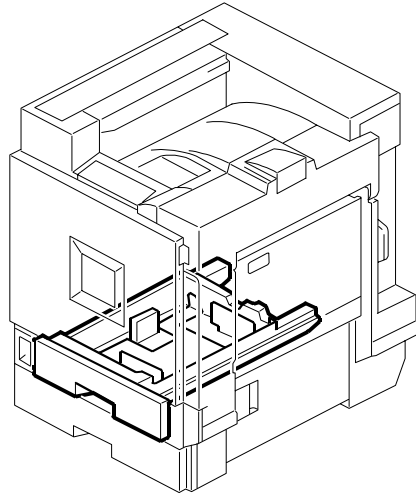
See Page 11

3. Laser Unit (G080)



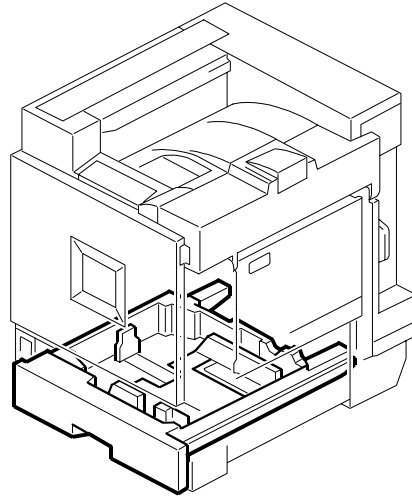
See Page 13

4. 1st Cassette (G080)



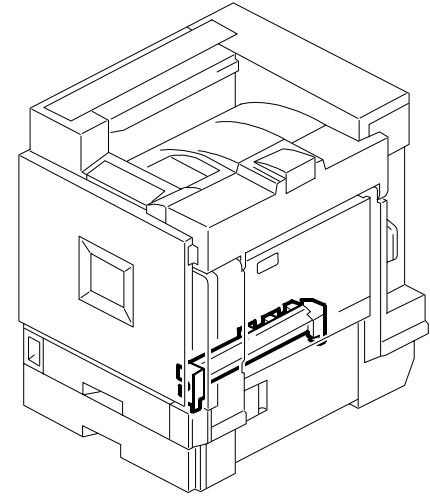
See Page 15

5. 2nd Cassette (G080)



See Page 17

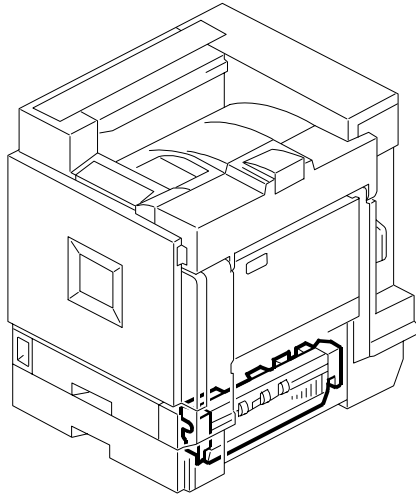
6. 1st Paper Feed Section (G080)



See Page 19

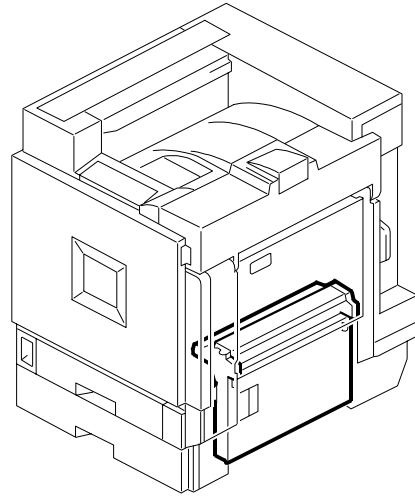
## LOCATIONS OF UNITS

7. 2nd Paper Feed Section (G080)



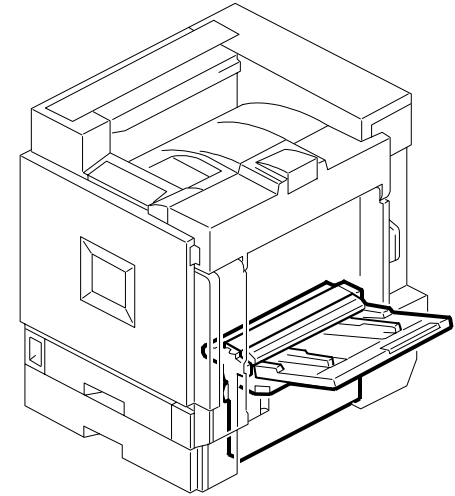
See Page 21

8. Vertical Transport Section (G080)



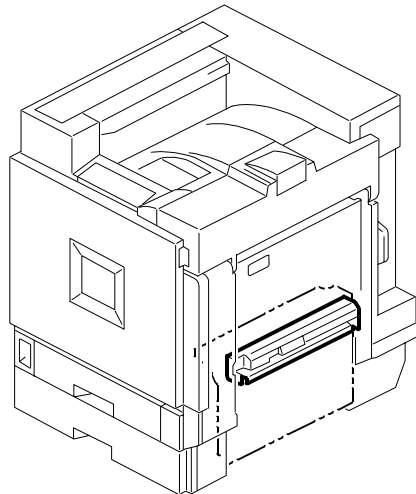
See Page 23

9. Manual Paper Feed 1 (G080)



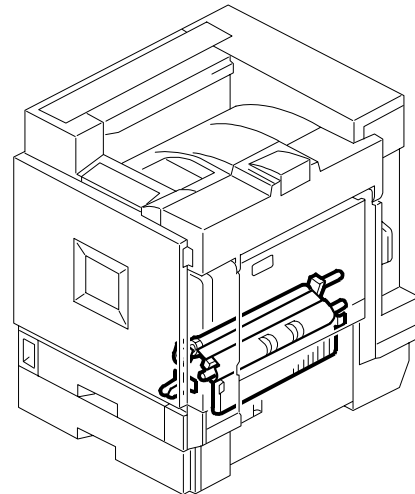
See Page 25

10. Manual Paper Feed 2 (G080)



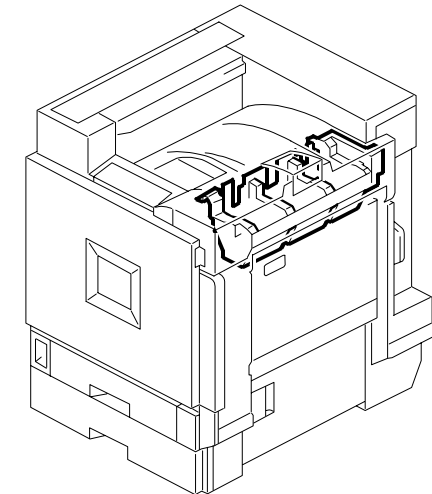
See Page 27

11. Paper Registration (G080)



See Page 29

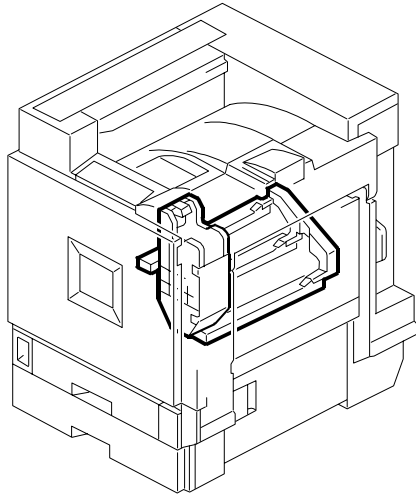
12. Color Toner Hopper (G080)



See Page 31

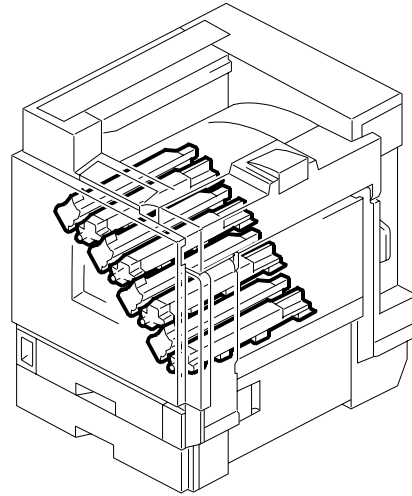
## LOCATIONS OF UNITS

13. Black Toner Hopper (G080)



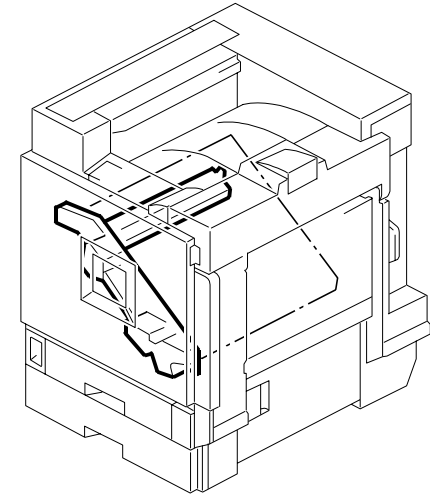
See Page 33

14. PCU/Development Unit (G080)



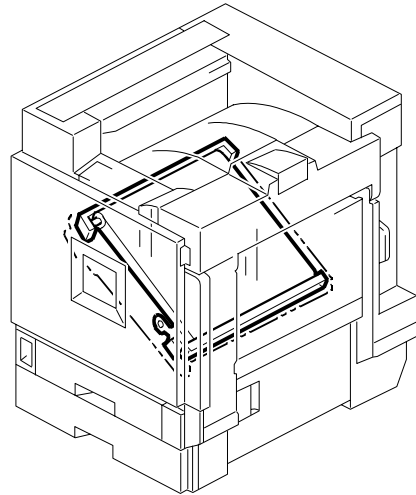
See Page 35

15. Transfer Unit 1 (G080)



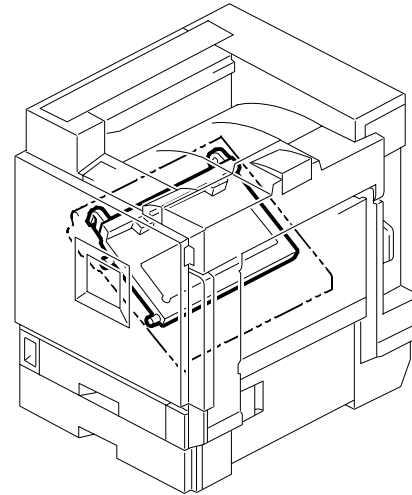
See Page 37

16. Transfer Unit 2 (G080)



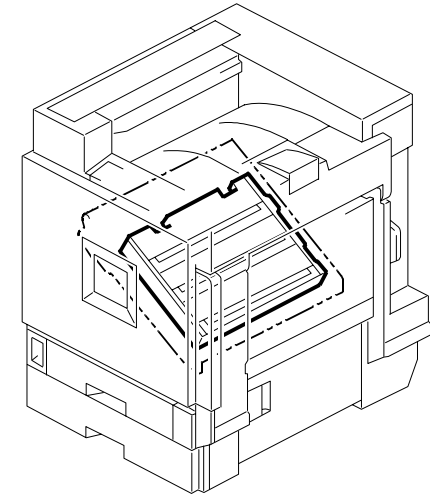
See Page 39

17. Transfer Unit 3 (G080)



See Page 41

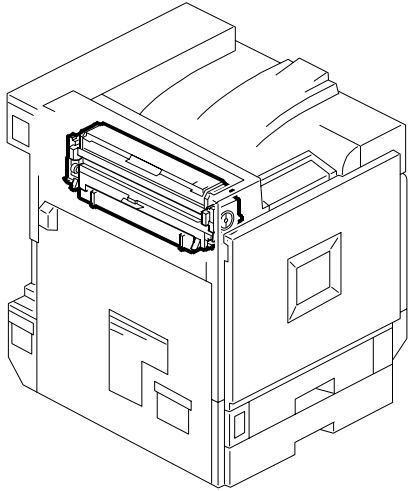
18. Transfer Unit 4 (G080)



See Page 43

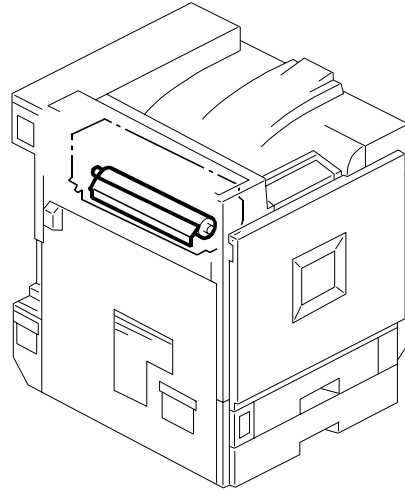
## LOCATIONS OF UNITS

19. Fusing Unit 1 (G080)



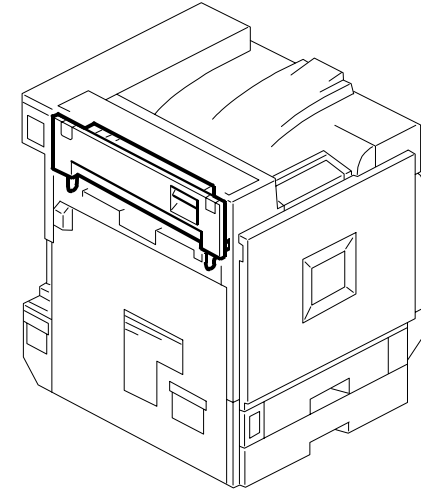
See Page 45

20. Fusing Unit 2 (G080)



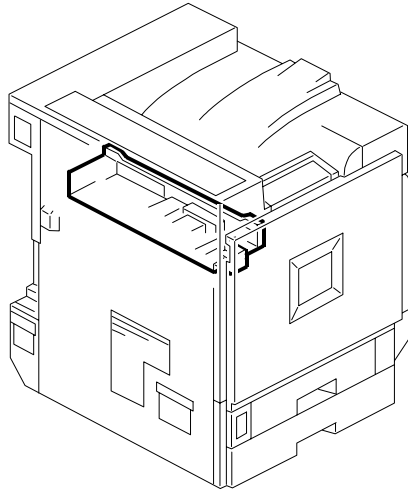
See Page 57

21. Paper Exit Section 1 (G080)



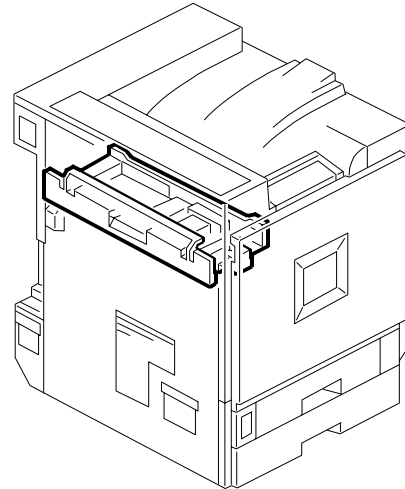
See Page 49

22. Paper Exit Section 2 (G080)



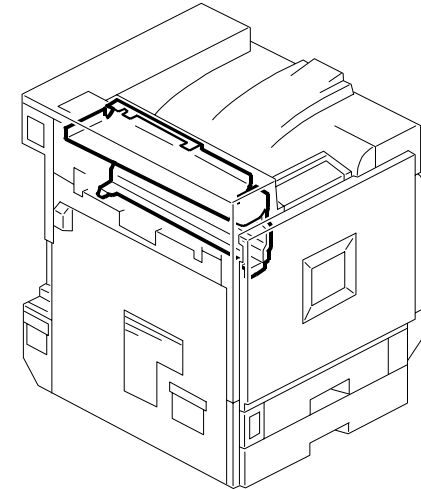
See Page 51

23. Paper Exit Section 3 (G080)



See Page 53

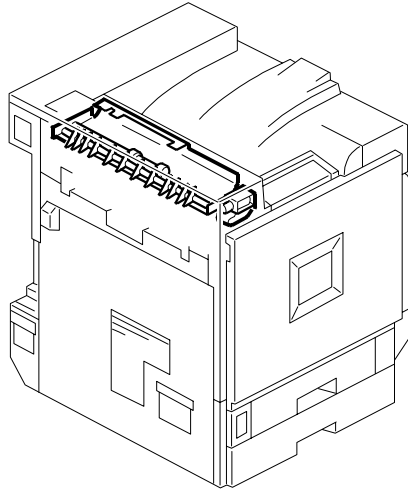
24. Paper Exit Section 4 (G080)



See Page 55

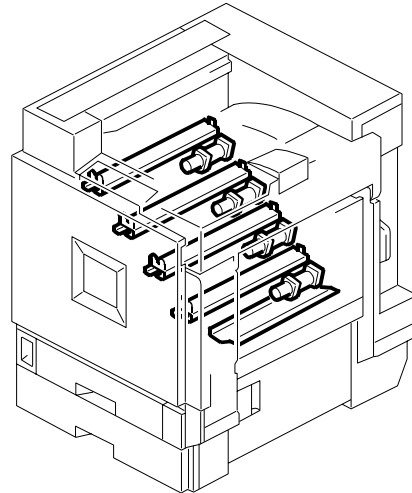
## LOCATIONS OF UNITS

25. Paper Exit Section 5 (G080)



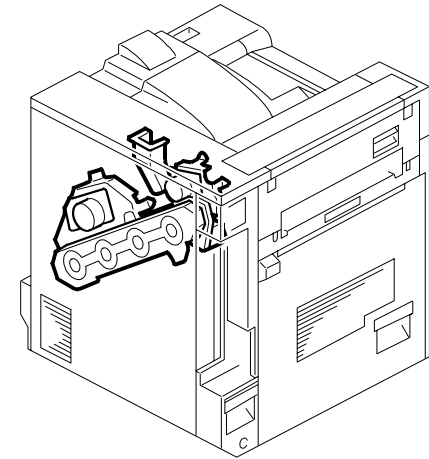
See Page 57

26. Waste Toner Transfer Section (G080)



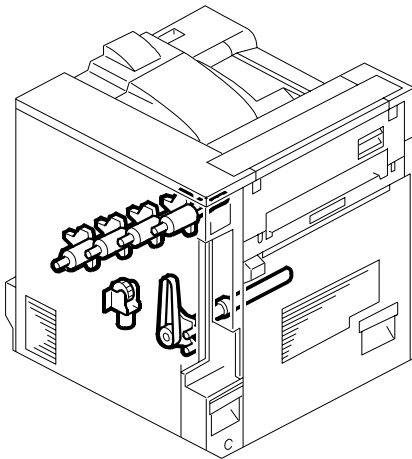
See Page 59

27. Drive Section 1 (G080)



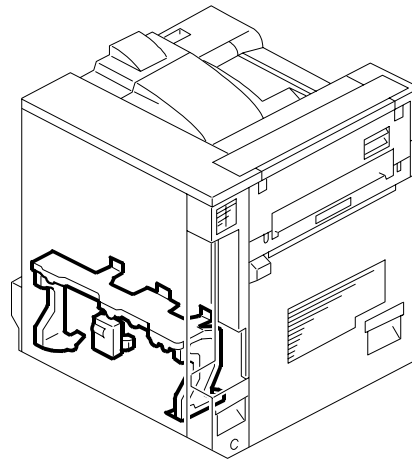
See Page 61

28. Drive Section 2 (G080)



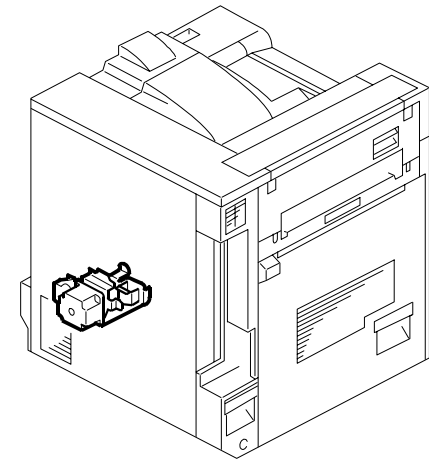
See Page 63

29. Drive Section 3 (G080)



See Page 65

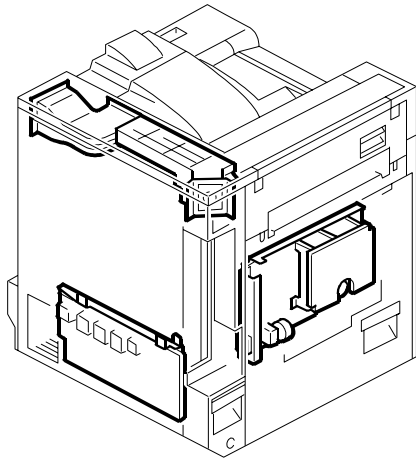
30. Drive Section 4 (G080)



See Page 67

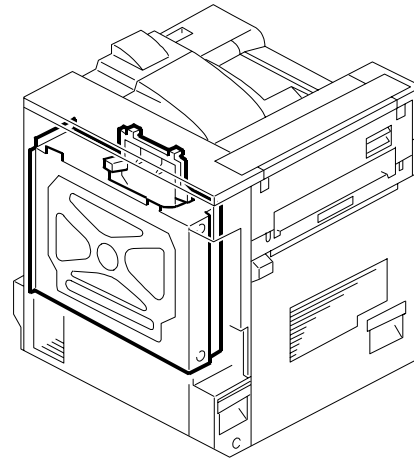
## LOCATIONS OF UNITS

31. Electrical Section 1 (G080)



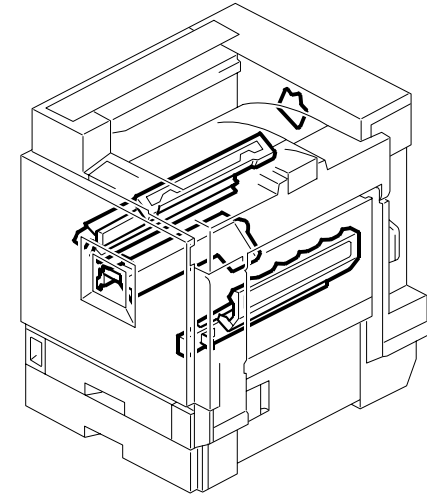
See Page 69

32. Electrical Section 2 (G080)



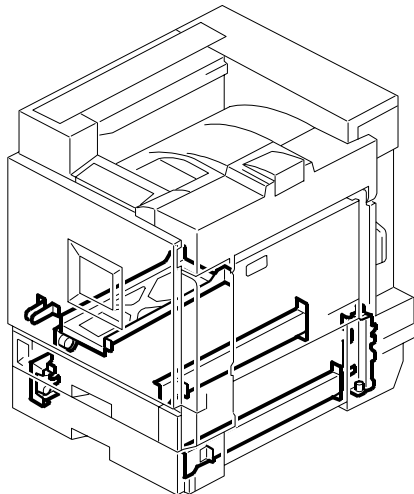
See Page 71

33. Frame Section 1 (G080)



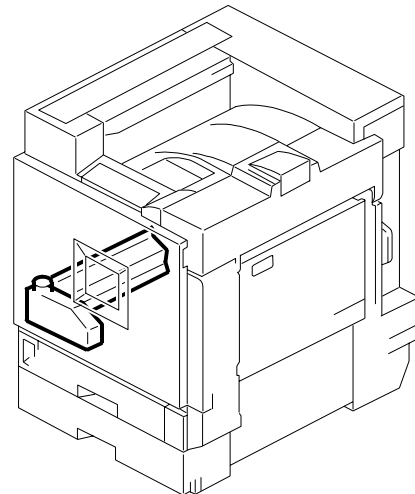
See Page 73

34. Frame Section 2 (G080)



See Page 75

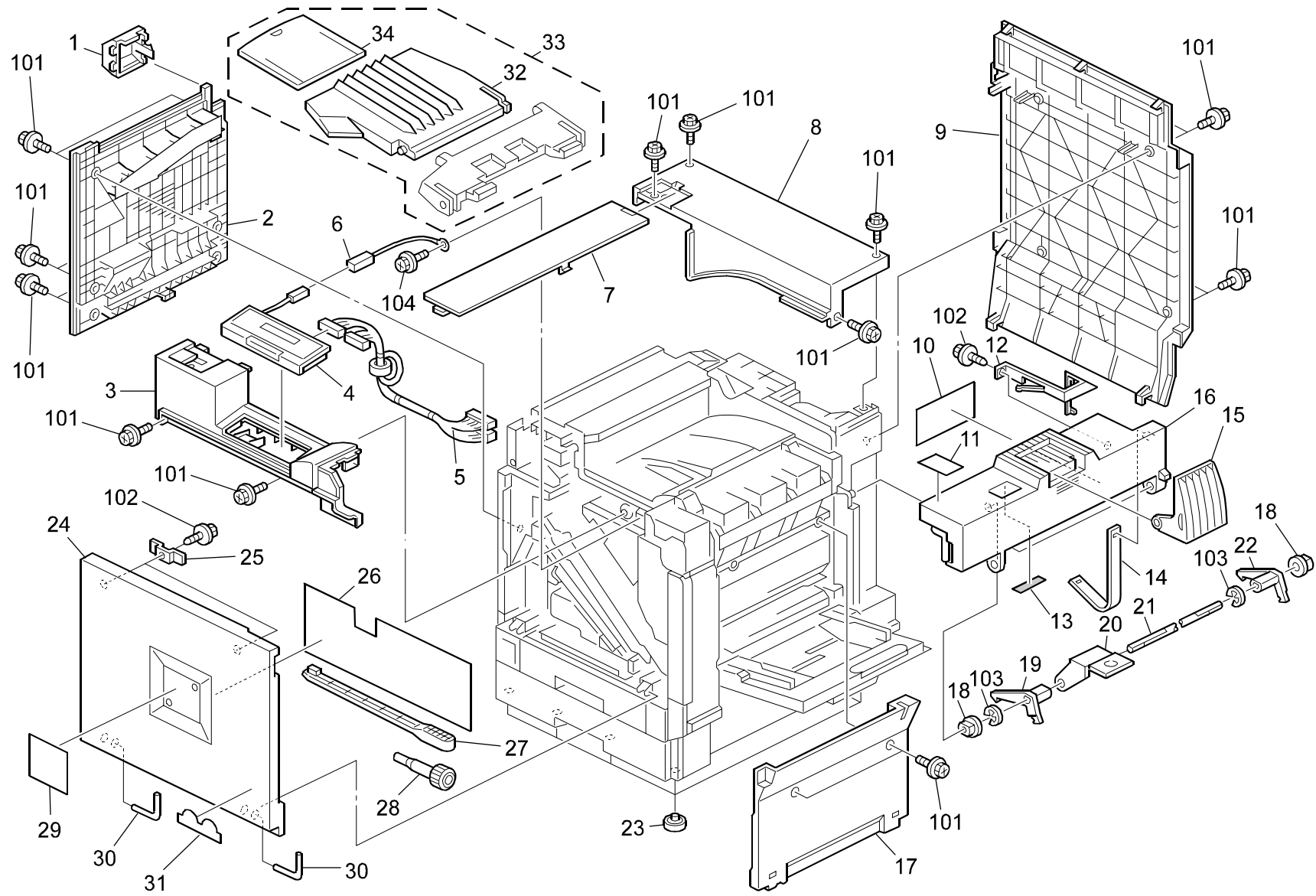
35. Frame Section 3 (G080)



See Page 77



# 1.Exterior 1 (G080)

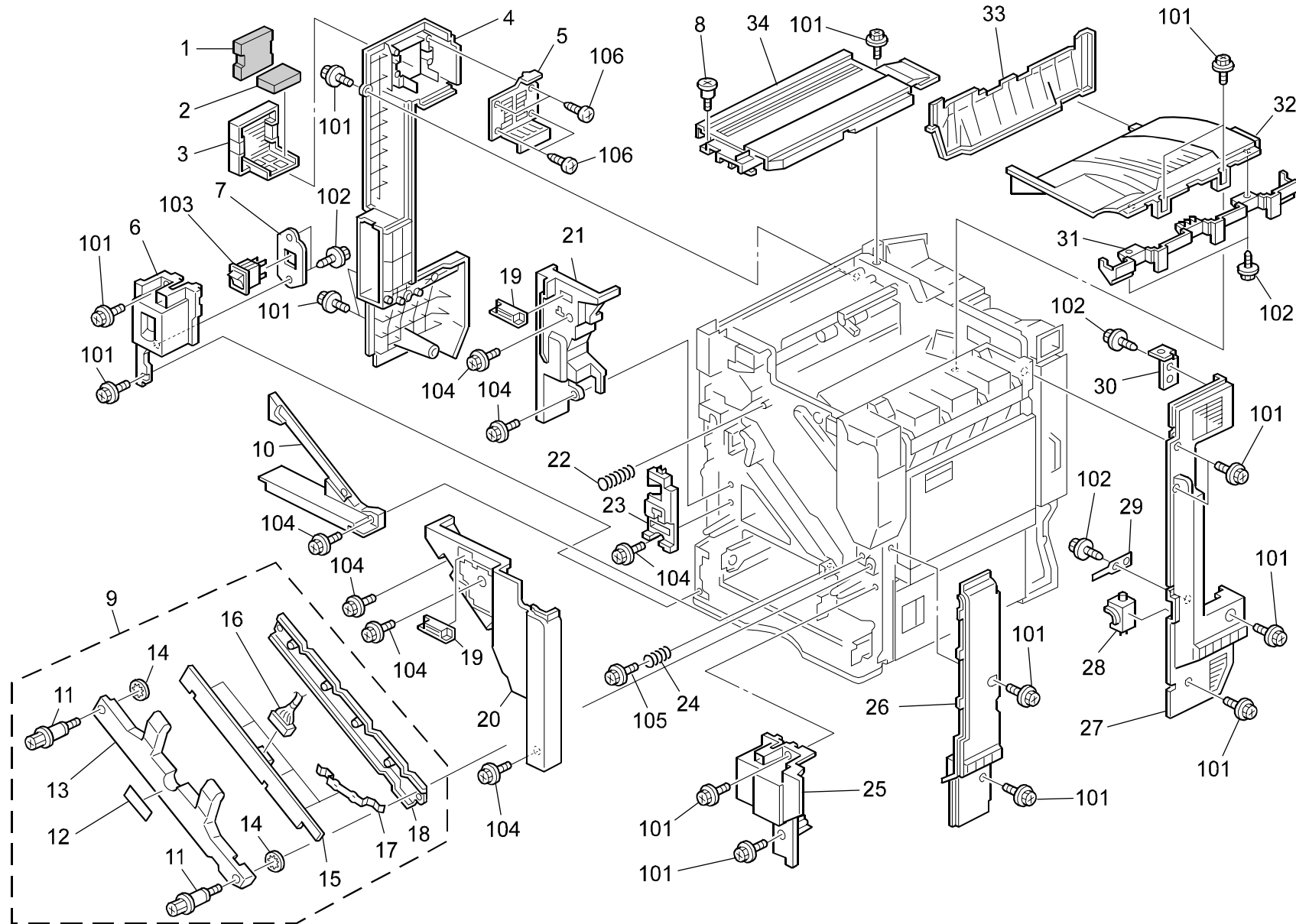


## 1.Exterior 1 (G080)

Index No.	Part No.	Description	Q'ty Per Assembly
1	G060 1289	Small Cover - Option	1
2	G060 1220	Lower Left Cover	1
3	G080 1283	Inner Cover:Upper	1
4	G060 7011	Operation Panel - LT	1
4	G060 7111	Operation Panel - A4	1
5	G080 5484	Harness:Operation Sub-unit	1
6	G080 5515	Harness:Ground Wire:Operation Sub-unit	1
7	G060 1288	Large Cover - Option	1
8	G080 1272	Cover:Upper:Rear	1
9	G077 1268	Rear Cover	1
10	GA00 3009	Sheet - Toner Supply	1
11	GA00 3038	Decal - Inkjet Paper Caution	1
12	G080 1319	Electrode:Ground Plate	1
13	AA15 3462	Seal - C/Y	1
14	G080 1321	Band:Stopper:Cover:Right Upper	1
15	G060 1293	Exit End Fence	1
16	G080 1265	Cover:Right:Upper	1
17	G080 1224	Inner Cover:Manual Feed:Ass'y	1
18	AA08 2101	Bushing - 6x10x6	2
19	G060 1312	Front Stopper Pawl	1
20	G080 1320	Grip:Cover:Right Upper:Peen	1
21	G060 1314	Stopper Pawl Shaft	1
22	G060 1313	Rear Stopper Pawl	1
23	AH01 0009	Rubber Pad - H5	8
24	G077 1262	Cover:Front	1
25	B024 1264	Magnet Catch	1
26	G080 1292	Sheet:Operate:J-P2	1
27	G060 1995	Cleaner - Dust Proof Glass	1
28	G060 2989	Screw Driver	1
29	G080 7005	Decal:Emblem:EXP	1
29	G080 7505	Decal - Emblem (SVN)	1
29	G080 7506	Decal - Emblem (GES NA)	1
29	G080 7605	Decal - Emblem (NRG NAS)	1
29	G080 7606	Decal - Emblem (NRG REX)	1
29	G080 7607	Decal - Emblem (NRG GES)	1

Index No.	Part No.	Description	Q'ty Per Assembly
29	G080 7705	Decal - Emblem (INF)	1
29	G080 7905	Decal - Emblem (LAN EU)	1
30	G020 1332	Hinge - Front Cover	2
31	GA00 3034	Decal - Energystar	1
32	G060 4491	Exit Tray	1
33	G060 4490	Exit Tray	1
34	G060 4492	Sub Exit Tray	1
101	0451 3008H	Tapping Screw - M3x8	
102	0450 3008B	Tapping Screw - M3x8	
103	0720 0040E	Retaining Ring - M4	
104	0451 3006B	Tapping Screw - M3x6	

## 2.Exterior 2 (G080)

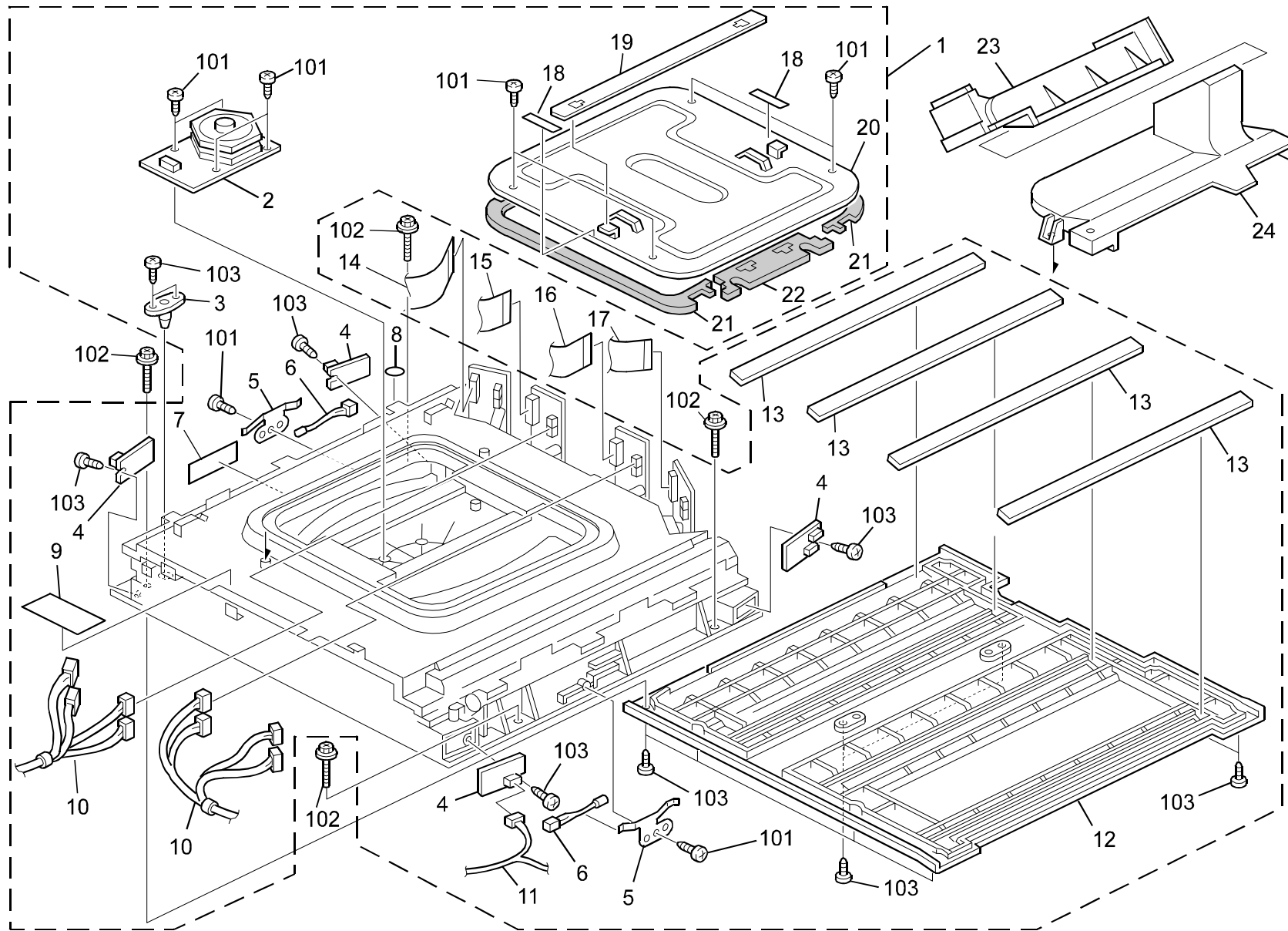


## 2.Exterior 2 (G080)

Index No.	Part No.	Description	Q'ty Per Assembly
1	GA01 2000	Upper Filter	1
2	GA01 2001	Lower Filter	1
3	G060 1300	Filter Case	1
4	G060 1269	Left Rear Cover	1
5	G060 1281	Louver - Left Rear Cover	1
6	G060 1271	Front Cover - Left Lower	1
7	G060 5813	Bracket - Main Switch	1
8	AA14 3219	Stepped Screw	1
9	G060 2450	Drum Stay:PCU:Ass'y	1
10	G060 1285	Lower Inner Cover	1
11	G060 2460	Screw - M4X6	2
12	GA00 3025	Decal - Drum Stay	1
13	G060 2455	Cover - Drum Stay	1
14	G060 2461	Nut - M7	2
15	G060 2457	Unit Detection Switch	1
16	G060 5489	Harness - Unit Detection Switch	1
17	G060 2456	Spring Plate- Unit Detection Switch	1
18	G060 2451	Drum Stay	1
19	AG07 1011	Magnet Catch	2
20	G080 1282	Inner Cover:Right	1
21	G080 1284	Inner Cover:Left	1
22	G060 2481	Left Spring - Drum Stay	1
23	G080 1295	Inner Cover:Left:Small	1
24	G060 2482	Right Spring - Drum Stay	1
25	G060 1266	Front Cover - Right Lower	1
26	G060 1287	Front Right Cover	1
27	G080 1267	Cover:Right:Rear	1
28	G060 2949	Magnetic Clutch Cover	1
29	G060 2950	Spring Plate - Clutch Cover	1
30	G060 1280	Supporting Plate - Right Rear Cover	1
31	G080 1294	Inner Cover:Toner Cartridge	1
32	G077 1275	Upper Cover - Exit Tray	1
33	G060 1279	Exit Cover	1
34	G060 1274	Upper Exit Cover	1

Index No.	Part No.	Description	Q'ty Per Assembly
101	0451 3008H	Tapping Screw - M3x8	
102	0450 3008B	Tapping Screw - M3x8	
103	1204 2533	Switch - AJ76200PZ02	
104	0802 5292	Tapping Screw:Round Point:M3x8	
105	0451 3006B	Tapping Screw - M3x6	
106	0452 3008B	Tapping Screw - M3x8	

### 3.Laser Unit (G080)

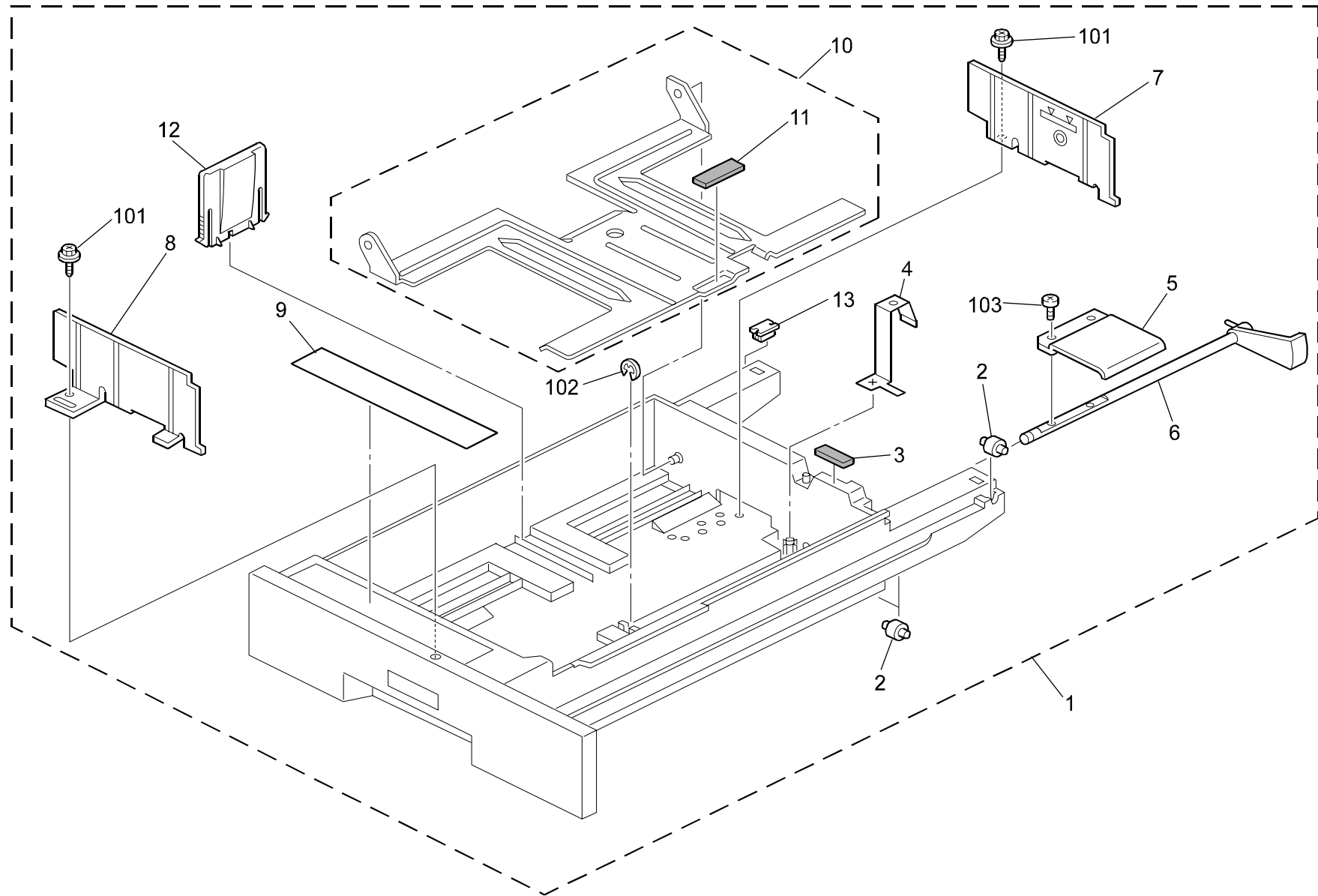


### 3.Laser Unit (G080)

Index No.	Part No.	Description	Q'ty Per Assembly
1	G080 1853	Imaging Unit	1
2	AX06 0212	Polygon Mirror Motor - DC24W	1
3	G060 1901	Positioning Pin	1
4	G060 5322	Sync Detector Board	4
5	G060 1908	Thermistor Plate	2
6	AW10 0065	Thermistor - 103AT-4	2
7	AA00 0218	Caution Decal	1
8	G060 1972	Shield:Cover:Upper	1
9	AA00 0217	Decal - LD 655	1
10	G080 5474	Harness:Imaging Unit	1
11	G080 5494	Harness:Imaging Unit:Sync Detector:CM	1
12	G060 1975	Lower Cover	1
13	AC01 5035	Shield Glass	4
14	G077 5523	Harness - FFC K	1
15	G077 5522	Harness - FFC Y	1
16	G077 5521	Harness - FFC C	1
17	G077 5520	Harness - FFC M	1
18	G077 1972	Stopper:Grip	2
19	G077 1971	Grip:Imaging Unit	1
20	G077 1904	Cover:Polygon Scanner:Peen	1
21	G077 1906	Shield:Cover:Polygon Scanner:1	2
22	G077 1907	Shield:Cover:Polygon Scanner:2	2
23	G080 1183	Duct:Tray:Exit:Ass'y	1
24	G077 1042	Duct:Imaging Unit	1

Index No.	Part No.	Description	Q'ty Per Assembly
101	0452 3008B	Tapping Screw - M3x8	
102	0451 3010B	Tapping Screw - M3x10	
103	0452 3010B	Tapping Bind Screw - M3x10	

## 4.1st Cassette (G080)



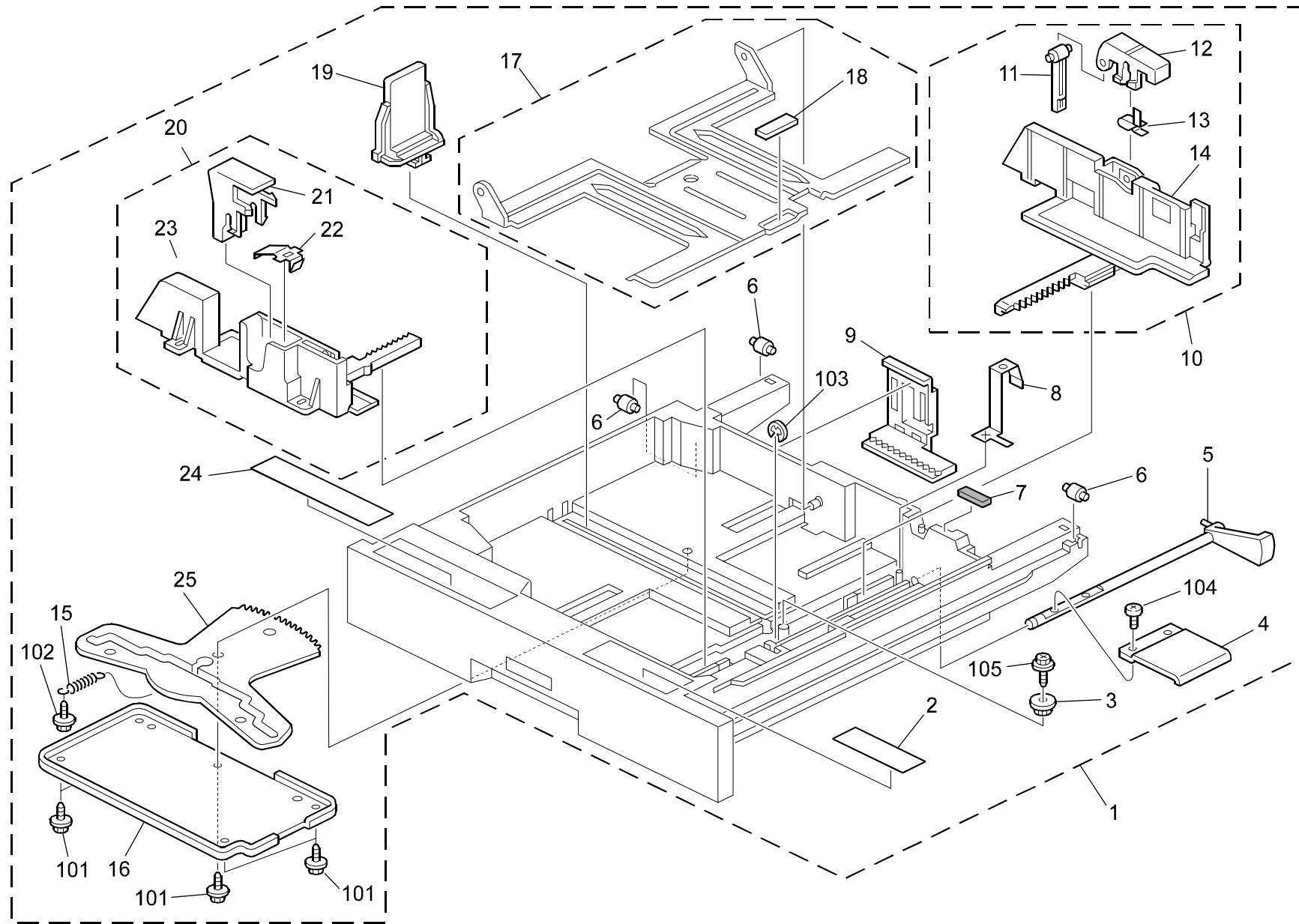
#### 4.1st Cassette (G080)

Index No.	Part No.	Description	Q'ty Per Assembly
1	G080 2768	Paper Tray:No.1:Ass'y	1
2	A232 2987	Roller - Paper Tray	3
3	G313 2782	Shield	1
4	G060 2775	Spring Plate - Paper Tray	1
5	A204 2972	Bottom Lift Lever	1
6	G060 2774	Lift Shaft	1
7	G080 2778	Side Fence:Rear:Fix:Adhesion	1
8	G080 2777	Side Fence:Front:Fix:Adhesion	1
9	GA00 3066	Decal:Paper Tray:No.1	1
10	G060 2770	Tray Bottom Plate:Ass'y	1
11	AF01 3006	Bottom Plate Pad	1
12	AF01 7023	End Fence	1
13	G080 2526	Shoe:Paper Tray	1

Index No.	Part No.	Description	Q'ty Per Assembly
101	0450 4008B	Tapping Screw - 4x8	
102	0720 0060E	Retaining Ring - M6	
103	0354 0060B	Screw - M4X6	



## 5.2nd Cassette (G080)

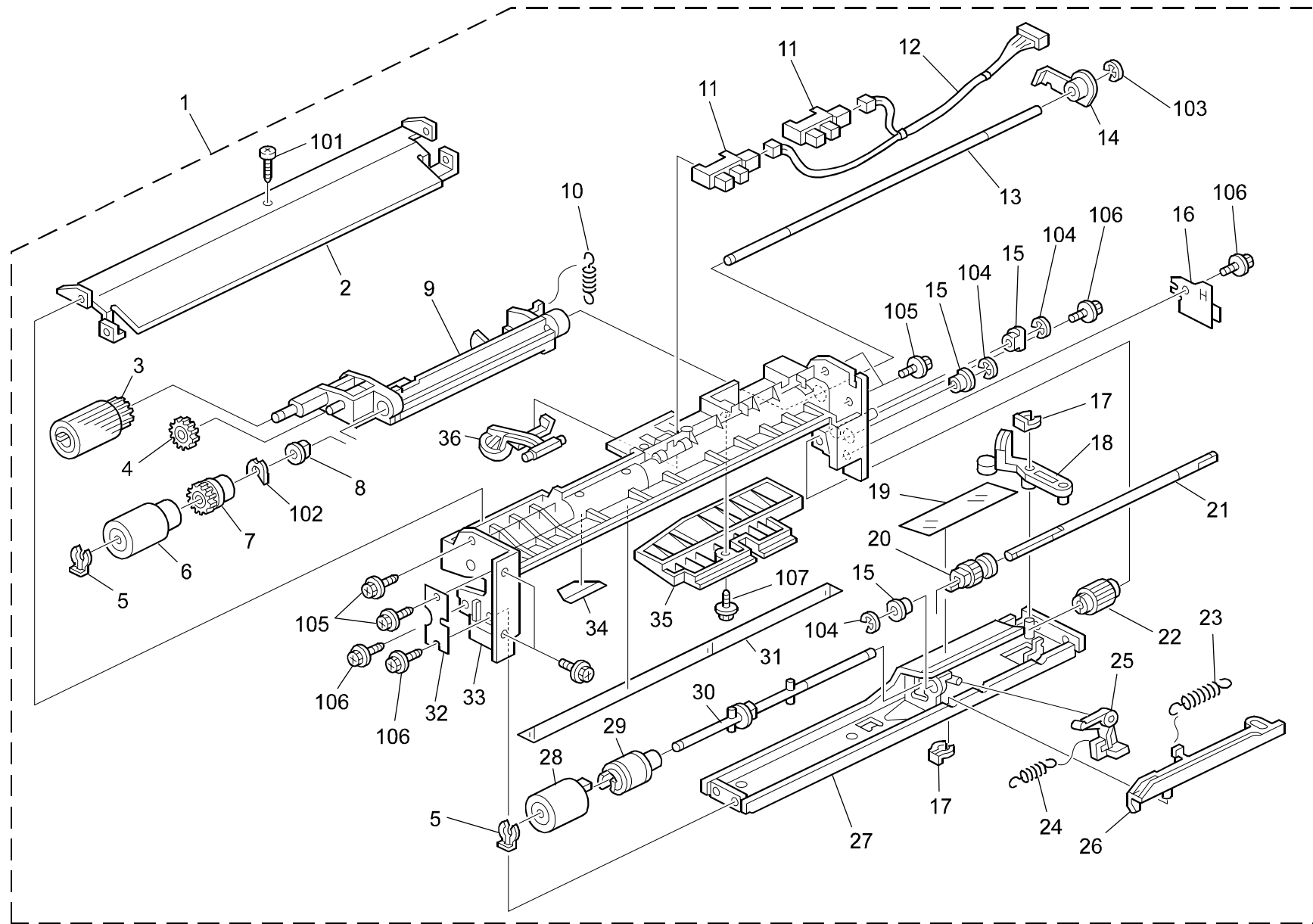


## 5.2nd Cassette (G080)

Index No.	Part No.	Description	Q'ty Per Assembly
1	G080 2772	Paper Tray:No.2:Ass'y	1
2	GA00 3068	Decal:Paper Tray:No.2:Right	1
3	AB01 3868	Gear - 16Z	1
4	A204 2972	Bottom Lift Lever	1
5	G060 2774	Lift Shaft	1
6	A232 2987	Roller - Paper Tray	3
7	G313 2782	Shield	1
8	G060 2775	Spring Plate - Paper Tray	1
9	G060 2797	Paper Size Sensor Board	1
10	G080 2782	Side Fence:Rear:Universal:Ass'y	1
11	A267 2859	Side Fence Stopper	1
12	A267 2860	Rear Lever Stopper	1
13	A267 2857	Spring Plate - Side Fence	1
14	G080 2790	Side Fence:Rear:Universal:Adhesion	1
15	G060 2806	Tension Spring - Paper Size Sensor Board	1
16	G077 2798	Cover:Paper Size Sensor	1
17	G060 2770	Tray Bottom Plate:Ass'y	1
18	AF01 3006	Bottom Plate Pad	1
19	AF01 7024	End Fence - Universal	1
20	G080 2781	Side Fence:Front:Universal:Ass'y	1
21	A134 2976	Stopper Lever	1
22	A134 2978	Spring Plate	1
23	G080 2789	Side Fence:Front:Universal:Adhesion	1
24	GA00 3067	Decal:Paper Tray:No.2:Left	1
25	G077 2796	Link:Paper Size Sensor Board	1

Index No.	Part No.	Description	Q'ty Per Assembly
101	0452 3008B	Tapping Screw - M3x8	
102	0450 3008B	Tapping Screw - M3x8	
103	0720 0060E	Retaining Ring - M6	
104	0354 0060B	Screw - M4X6	
105	0450 4008B	Tapping Screw - 4x8	

## 6.1st Paper Feed Section (G080)



## 6.1st Paper Feed Section (G080)

Index No.	Part No.	Description	Q'ty Per Assembly
1	G080 2700	Paper Feed Unit:No.1:Ass'y	1
2	G060 2716	Feed Stay	1
3	AF03 0049	Pick-up Roller	1
4	AB01 1188	Gear - 21Z	1
5	AA10 0014	Retaining Ring C - Separate	2
6	AF03 1049	Feed Roller	1
7	AB01 1218	Gear - Roller Clutch	1
8	AA08 2101	Bushing - 6x10x6	1
9	G080 2761	Arm:Pickup	1
10	AA06 0691	Tension Spring	1
11	AW02 0120	Photointerruptor - Flat	2
12	G080 5483	Harness:Paper Feed Unit	1
13	AA14 0655	Shaft - Paper Feed	1
14	G065 2767	Lever - Feed	1
15	AA08 2102	Bushing - 6x10x6	3
16	A232 2764	Rear Grounding Plate	1
17	5206 2686	Snap Ring	2
18	G065 2776	Release Lever	1
19	G060 2786	Rear Feed Mylar	1
20	AB01 0106	Gear - 24Z	1
21	AA14 0656	Shaft - Gear	1
22	AB01 0107	Gear - 23Z	1
23	AA06 0908	Release Spring	1
24	AA06 0693	Tension Spring	1
25	G065 2774	Pressure Lever	1
26	G065 2775	Link Lever	1
27	G060 2727	Stay - Paper Separation 1	1
28	AF03 2049	Separation Roller	1
29	G060 2900	Torque Limiter - 40mn·m 18mm	1
30	G060 2689	Shaft - Separation Driven	1
31	G060 2724	Upper Guide - Paper Feed Unit	1
32	G080 2763	Ground Plate:Front:Paper Feed Unit	1
33	G060 2723	Housing:Paper Feed Unit	1
34	A232 2766	Feed Mylar	1
35	G080 2762	Guide Plate:Paper Feed Unit	1

Index No.	Part No.	Description	Q'ty Per Assembly
36	A232 2762	Paper End Feeler	1
101	0452 3008B	Tapping Screw - M3x8	
102	0805 0089	Retaining Ring - M4	
103	0720 0040E	Retaining Ring - M4	
104	0720 0060E	Retaining Ring - M6	
105	0451 3008B	Tapping Screw - M3x8	
106	0451 3006B	Tapping Screw - M3x6	
107	0450 3008B	Tapping Screw - M3x8	

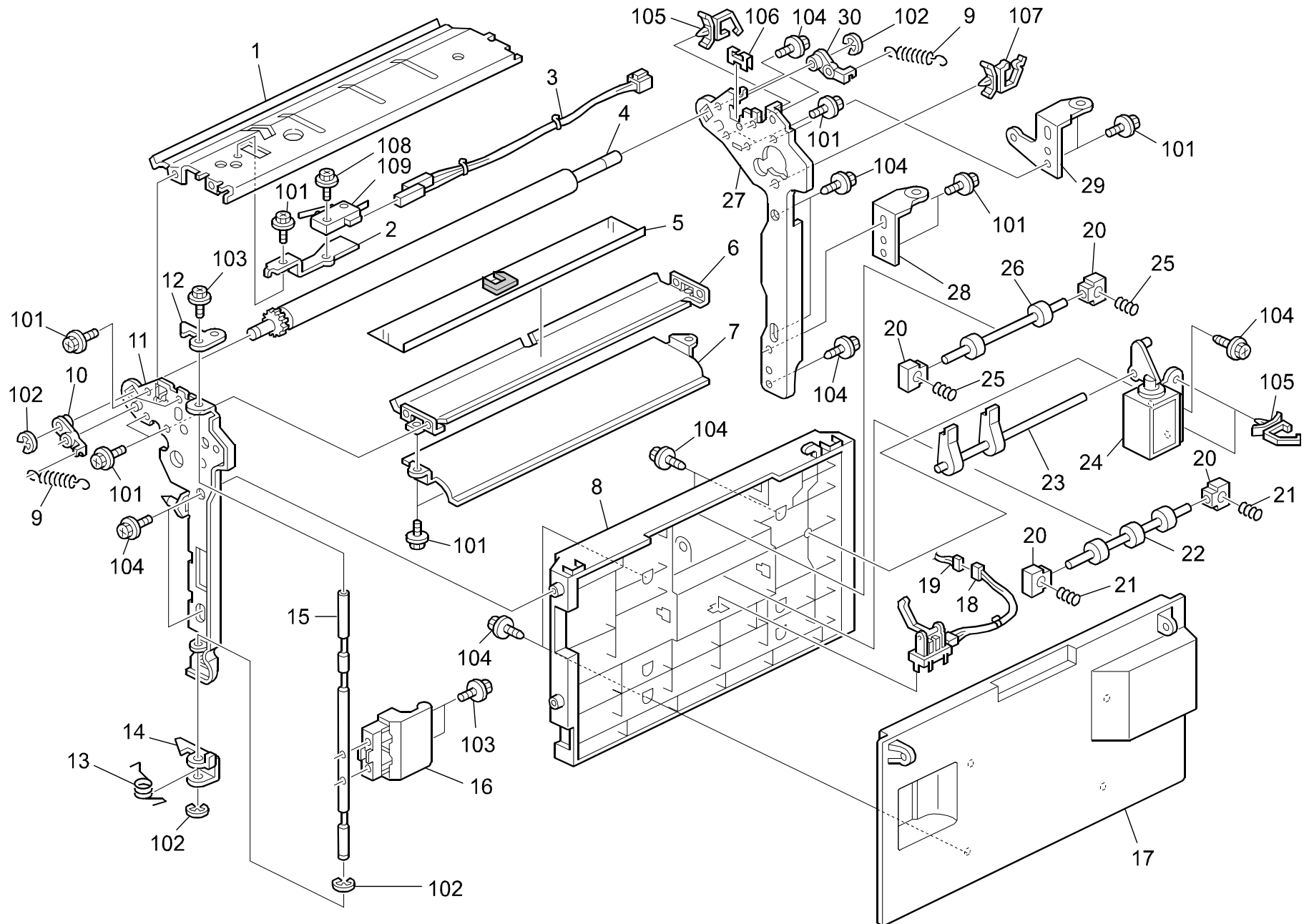


## 7.2nd Paper Feed Section (G080)

Index No.	Part No.	Description	Q'ty Per Assembly
1	G080 2750	Paper Feed Unit:No.2:Ass'y	1
2	A232 2780	Stay - Paper Feed	1
3	AF02 0404	Transport Roller	1
4	AF03 0049	Pick-up Roller	1
5	AB01 1188	Gear - 21Z	1
6	AA10 0014	Retaining Ring C - Separate	2
7	AF03 1049	Feed Roller	1
8	AB01 1218	Gear - Roller Clutch	1
9	AA08 2101	Bushing - 6x10x6	2
10	G080 2761	Arm:Pickup	1
11	AA06 0691	Tension Spring	1
12	AW02 0120	Photointerruptor - Flat	2
13	G080 5483	Harness:Paper Feed Unit	1
14	AA14 0655	Shaft - Paper Feed	1
15	G065 2767	Lever - Feed	1
16	AA08 2102	Bushing - 6x10x6	3
17	A232 2764	Rear Grounding Plate	1
18	5206 2686	Snap Ring	2
19	G065 2776	Release Lever	1
20	B004 2782	Rear Feed Mylar	1
21	AB01 0106	Gear - 24Z	1
22	AA14 0656	Shaft - Gear	1
23	AB01 0107	Gear - 23Z	1
24	G065 2774	Pressure Lever	1
25	G060 2725	Stay - Paper Separation	1
26	AA06 0908	Release Spring	1
27	AA06 0693	Tension Spring	1
28	G065 2775	Link Lever	1
29	AF03 2049	Separation Roller	1
30	G060 2900	Torque Limiter - 40mn·m 18mm	1
31	G060 2689	Shaft - Separation Driven	1
32	AA08 2104	Bushing - 8x12x7	1
33	A232 2765	Front Grounding Plate	1
34	G060 2760	Housing:Paper Feed Unit	1
35	A232 2766	Feed Mylar	1

Index No.	Part No.	Description	Q'ty Per Assembly
36	G080 2762	Guide Plate:Paper Feed Unit	1
37	A232 2762	Paper End Feeler	1
38	G060 2630	Guide Plate:Swivel:Adhesion	1
101	0450 3008B	Tapping Screw - M3x8	
102	0805 0089	Retaining Ring - M4	
103	0720 0040E	Retaining Ring - M4	
104	0720 0060E	Retaining Ring - M6	
105	0451 3008B	Tapping Screw - M3x8	
106	0451 3006B	Tapping Screw - M3x6	

## 8.Vertical Transport Section (G080)



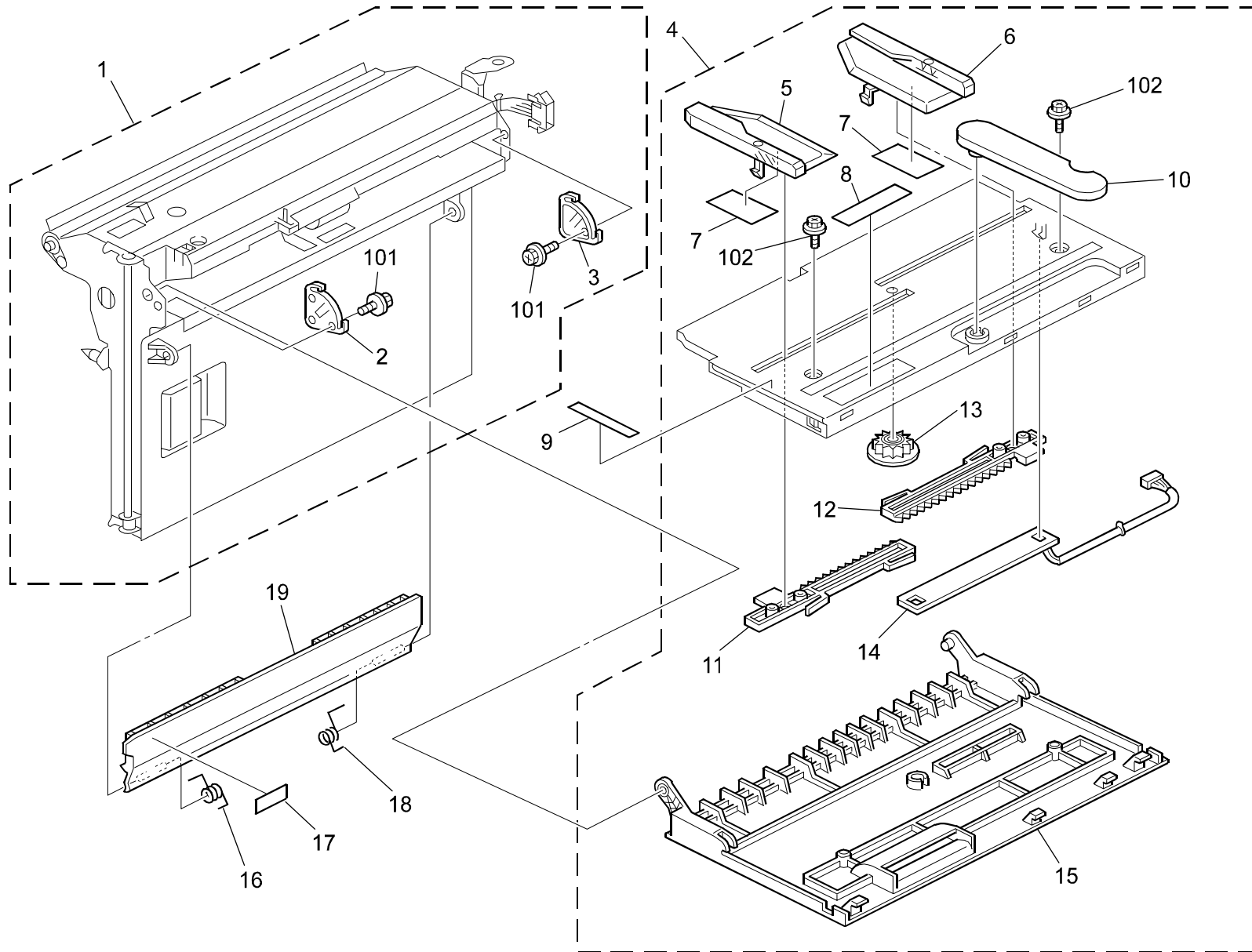
## 8.Vertical Transport Section (G080)

Index No.	Part No.	Description	Q'ty Per Assembly
1	G060 2669	Cover - Upper Registration	1
2	G060 2680	Bracket - Micro Switch	1
3	G080 5501	Harness:Vertical Transport:Safety Switch	1
4	G060 2686	Registration Driven Roller	1
5	G077 2839	Guide:Remove Paper Dust:Ass'y	1
6	G080 2612	Guide Plate:Registration:Upper	1
7	G080 2614	Guide Plate:Registration:Middle	1
8	G080 2643	Guide Plate:Vertical Transport	1
9	G060 2602	Spring - Registration	2
10	G080 2650	Bushing:Registration:Front:Driven	1
11	G080 2660	Side Plate:Paper Feed:Front:Ass'y	1
12	G080 2670	Hook:Vertical Transport:Upper:Peen	1
13	G060 2674	Torsion Spring - Vertical Transport	1
14	G060 2672	Hook - Lower Vertical Transport	1
15	G080 2673	Shaft:Grip	1
16	G060 2690	Lever - Vertical Transport	1
17	G080 2668	Cover:Vertical Transport	1
18	AW02 0069	Photointerruptor	1
19	G080 5506	Harness:Vertical Transport	1
20	G060 2652	Bushing - M4	4
21	AA06 3616	Spring - 8n	2
22	AF02 3023	Driven Roller - M3xmm17	1
23	G080 2645	Arm:Roller:Release	1
24	G080 2644	DC Solenoid:Ass'y	1
25	G080 2656	Compression Spring:Driven:2n	2
26	AF02 3022	Driven Roller - M2xmm17	1
27	G060 2663	Side Plate:Paper Feed:Rear:Ass'y	1
28	G060 2683	Lower Vertical Transport Hinge	1
29	G060 2667	Hinge:Vertical Transport	1
30	G060 2651	Rear Bushing - M6	1

Index No.	Part No.	Description	Q'ty Per Assembly
101	0451 3006B	Tapping Screw - M3x6	
102	0720 0040E	Retaining Ring - M4	
103	0360 3006B	Screw - M3X6	
104	0450 3008B	Tapping Screw - M3x8	
105	1105 0511	Harness Clamp - LWS-0306ZC	
106	1105 0551	Clamp:Les-0505	
107	1105 0487	Harness Clamp	
108	0451 3014B	Tapping Screw - M3-14	
109	1204 2521	Micro Switch	



# 9.Manual Paper Feed 1 (G080)

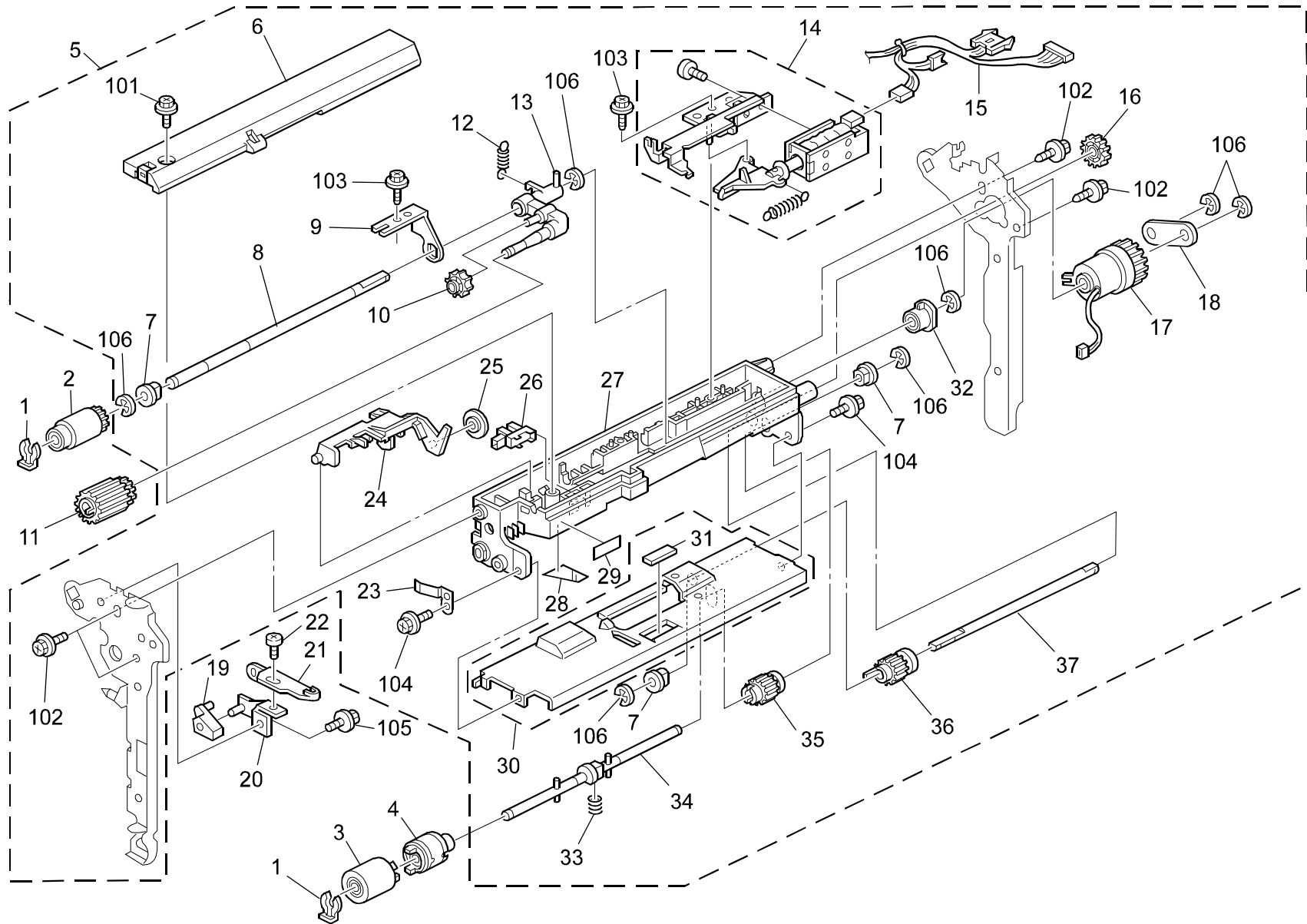


## 9.Manual Paper Feed 1 (G080)

Index No.	Part No.	Description	Q'ty Per Assembly
1	G080 2531	Transport Sub-unit:Lengthwise:Ass'y	1
2	G060 2973	Front Shaft - Manual Feed Table	1
3	G060 2974	Rear Shaft - Manual Feed Table	1
4	G060 2856	Manual Feed Table Ass'y	1
5	G060 2866	Front Side Fence	1
6	G060 2867	Rear Side Fence	1
7	G060 2908	Pad - Side Fence	2
8	GA00 3010	Decal - Manual Feed	1
9	GA00 3038	Decal - Inkjet Paper Caution	1
10	G060 2905	Paper Guide - Manual Feed Tabl	1
11	A232 6082	Front Rack	1
12	A232 6083	Rear Rack	1
13	G011 3305	Gear - 16T	1
14	G060 2869	Paper Size Sensor	1
15	G060 2865	Cover - Manual Feed Table	1
16	G080 2953	Torsion Spring:Cover:Left	1
17	GA00 3044	Decal - Vertical Transport 2	1
18	G080 2952	Torsion Spring:Cover:Right	1
19	G060 2940	Cover - Lower Manual Feed	1

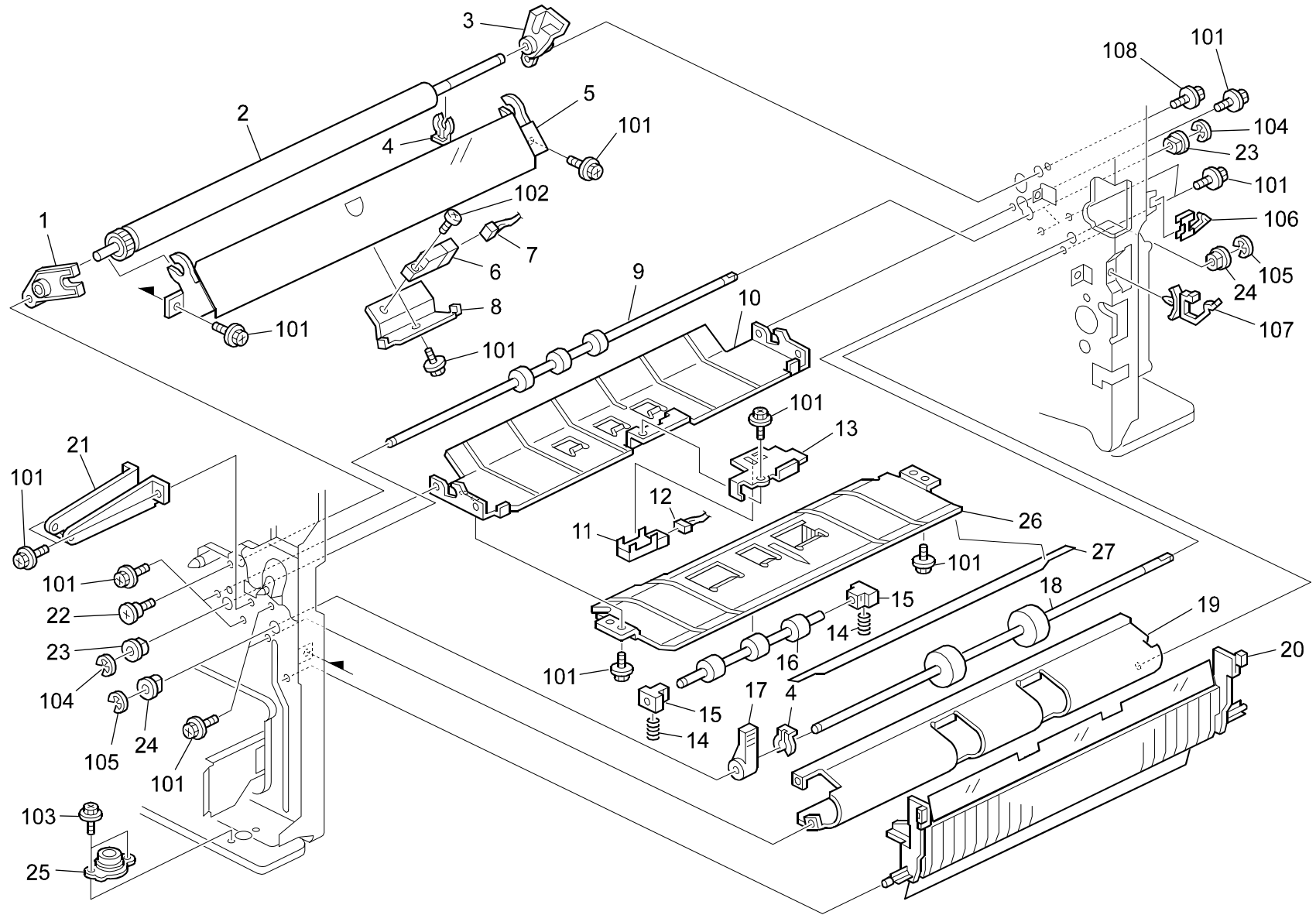
Index No.	Part No.	Description	Q'ty Per Assembly
101	0802 5291	Tapping Screw:Round Point:M3x6	
102	0450 3008H	Tapping Screw - M3x8	

# 10.Manual Paper Feed 2 (G080)





# 11.Paper Resistration (G080)



## 11.Paper Resistration (G080)

Index No.	Part No.	Description	Q'ty Per Assembly
1	G080 2684	Bushing:Registration:Front:Mm8	1
2	G060 2685	Registration Drive Roller	1
3	G080 2680	Bushing:Registration:Rear:M8	1
4	5215 2621	Snap Ring - M6	2
5	G080 2605	Guide Plate:Registration:Lower:Adhesion	1
6	AW01 0048	Photosensor - GP2A28N1	1
7	G080 5480	Harness:Registration Sensor	1
8	G060 2609	Bracket - Registration Sensor	1
9	G060 2627	Transport Drive Roller	1
10	G080 2621	Guide Plate:Duplex:Exit:Upper	1
11	AW01 0098	Photointerrupter - GP2A231LRSA	1
12	G080 5482	Harness:Paper Feed Unit:Sensor	1
13	G080 2635	Bracket:Sensor:Paper Feed	1
14	AA06 3408	Spring - 8n	2
15	G060 2652	Bushing - M4	2
16	AF02 2135	Driven Roller - M3x16	1
17	G060 2681	Knob - Vertical Transport	1
18	G060 2626	Transport Drive Roller - Middle	1
19	G060 2617	Middle Guide Plate	1
20	G060 2618	Guide Plate:Middle:Lower:Adhesion	1
21	G060 1277	Bracket - Front Cover Hinge	1
22	A259 6239	Screw - M3X4	1
23	AA08 2101	Bushing - 6x10x6	2
24	AA08 2104	Bushing - 8x12x7	2
25	G060 1054	Holder:Guide Pin:Paper Feed Table	1
26	G080 2622	Guide Plate:Duplex:Exit:Lower	1
27	G080 2623	Guide:Turn	1

Index No.	Part No.	Description	Q'ty Per Assembly
101	0451 3006B	Tapping Screw - M3x6	
102	0313 0060B	Philips Pan Head Screw - M3x6	
103	0802 5292	Tapping Screw:Round Point:M3x8	
104	0720 0040E	Retaining Ring - M4	
105	0720 0060E	Retaining Ring - M6	
106	1105 0522	Edge Saddle - Les0510	
107	1105 0487	Harness Clamp	
108	0450 3006B	Tapping Screw - M3x6	



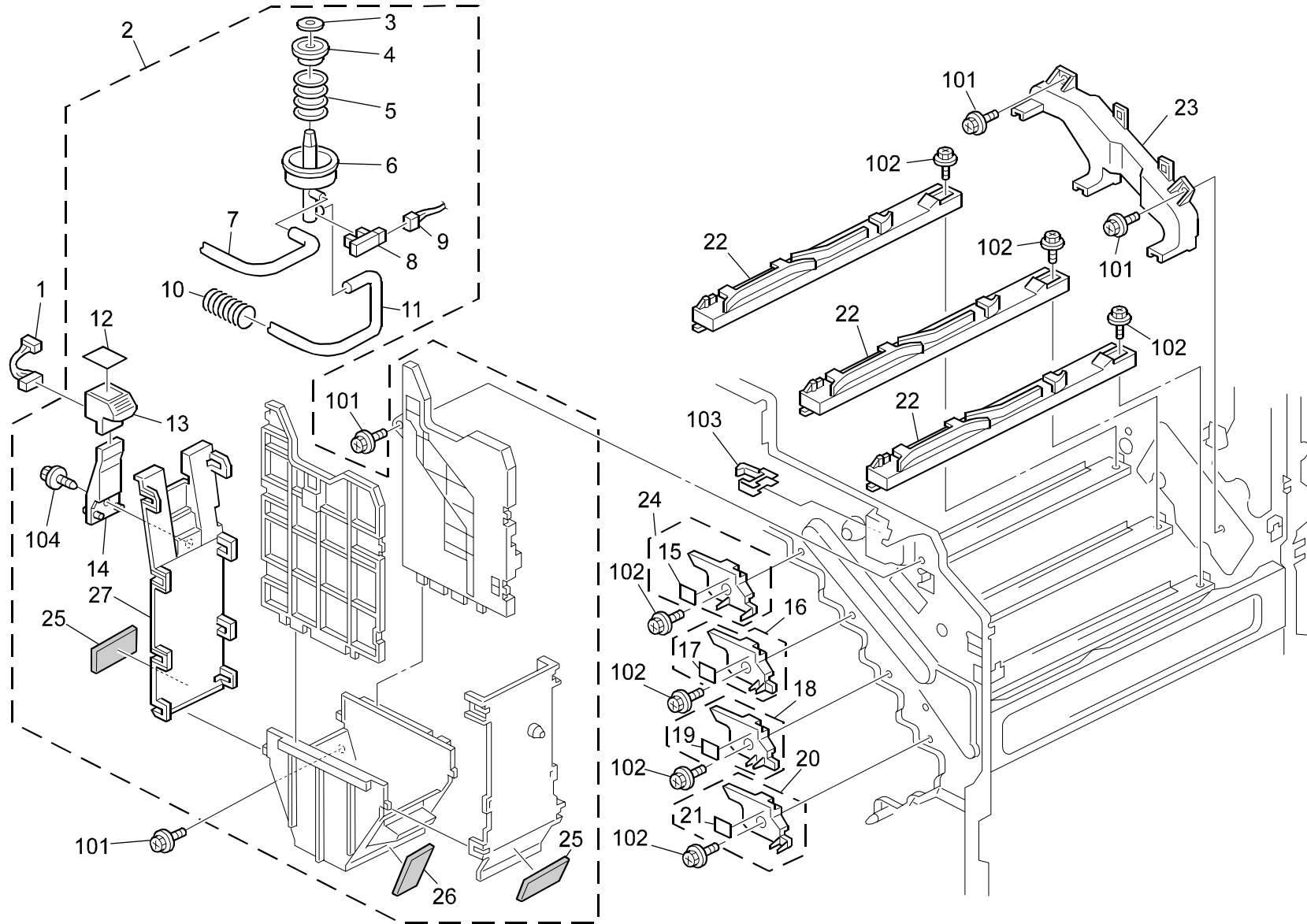
## 12.Color Toner Hopper (G080)

Index No.	Part No.	Description	Q'ty Per Assembly
1	G080 3201	Holder:Toner Cartridge:Collar:Ass'y	1
2	G080 3215	Tube:Air Pump:BK	1
3	G080 3240	Tube:Air Pump:Y	1
4	G080 3214	Tube:Air Pump:MC	2
5	G080 3241	Tube:Valve:BK	1
6	AA06 3627	Coil - Tube Fuard	1
7	G060 3238	Tube - C Toner Supply	1
8	AA06 3656	Guide Coil - M Tube	1
9	G060 3241	Tube - M Toner Supply	1
10	G060 3237	Tube - Y Toner Supply	1
11	G060 3240	Valve	1
12	G012 4617	Stepped Screw - M3	4
13	G060 3301	Air Pump - Toner Supply	1
14	AW14 0009	Humidity Sensor - RHU-232	1
15	G060 3205	Holder:Toner Cartridge	1
16	G080 3301	Air Pump:Toner Supply	1
17	AW50 0023	Push Switch	1
18	AA15 3461	Holder Seal	3
19	G060 3219	Toner Cartridge Holder	3
20	AA06 3663	Compression Spring:4.9n	3
21	G080 3216	Nozzle:YMC	3
22	AW02 0132	Optics Sensor:Toner End Sensor	3
23	GA00 3016	Decal - Y Toner Supply	1
24	GA00 3018	Decal - C Toner Supply	1
25	GA00 3017	Decal - M Toner Supply	1
26	G060 5599	Toner Cartridge Stopper	3
27	G060 3232	Base - Toner Cartridge Stopper	3
28	G080 1094	Holder:Toner Supply Unit	1

Index No.	Part No.	Description	Q'ty Per Assembly
101	0451 3006B	Tapping Screw - M3x6	
102	0450 3008B	Tapping Screw - M3x8	
103	0451 3008B	Tapping Screw - M3x8	
104	1105 0511	Harness Clamp - LWS-0306ZC	
105	1105 0487	Harness Clamp	
106	1105 0522	Edge Saddle - Les0510	



# 13.Black Toner Hopper (G080)

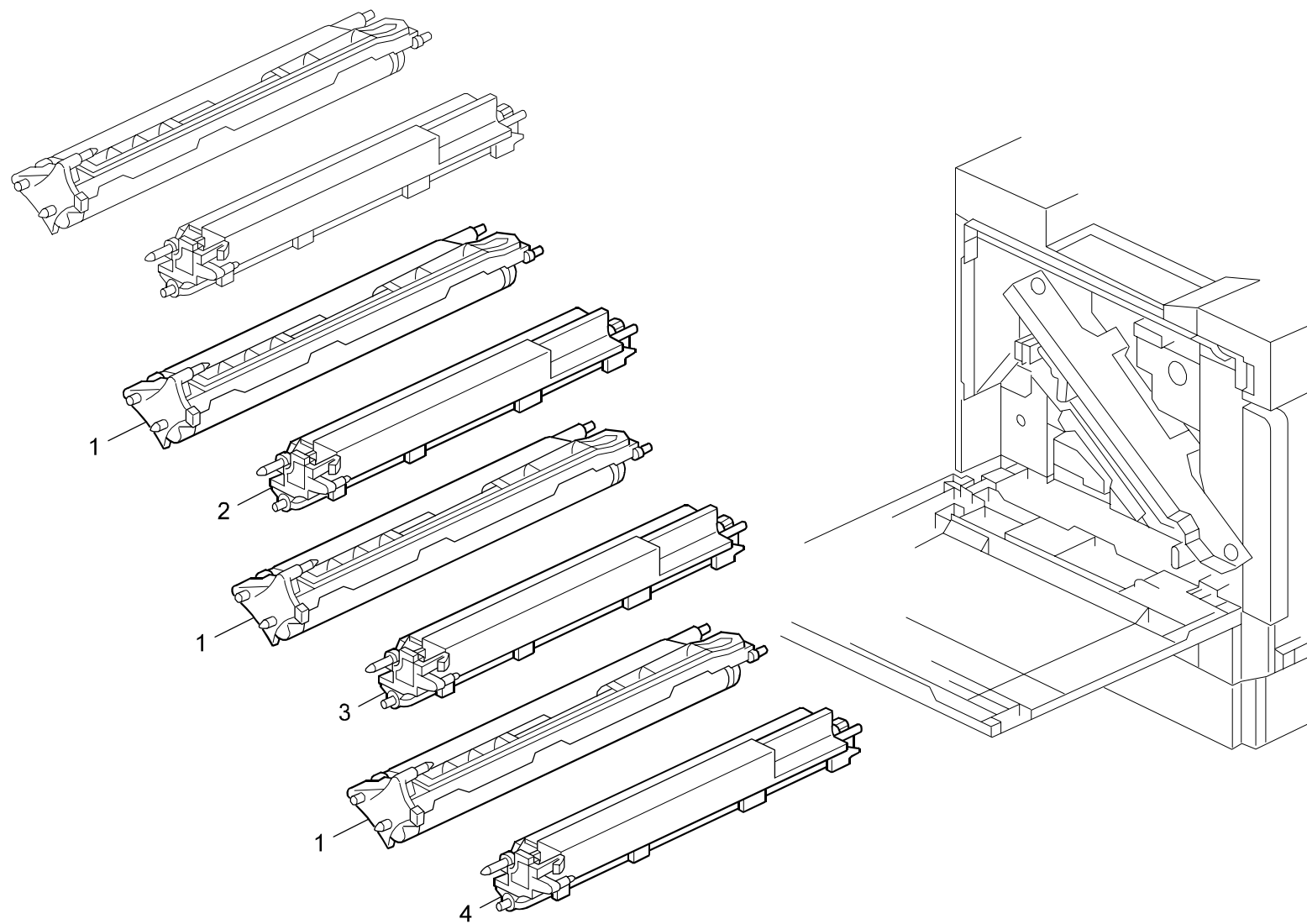


### 13.Black Toner Hopper (G080)

Index No.	Part No.	Description	Q'ty Per Assembly
1	G080 5492	Harness:ID:K	1
2	G080 3202	Holder:Toner Cartridge:BK:Dom:Ass'y	1
3	AA15 3461	Holder Seal	1
4	G060 3219	Toner Cartridge Holder	1
5	AA06 3663	Compression Spring:4.9n	1
6	G080 3222	Nozzle:BK	1
7	G080 3241	Tube:Valve:BK	1
8	AW02 0132	Optics Sensor:Toner End Sensor	1
9	G080 5496	Harness:Toner End Sensor:K	1
10	AA06 3627	Coil - Tube Fuard	1
11	G060 3236	Tube - K Toner Supply	1
12	GA00 3019	Decal - K Toner Supply	1
13	G060 5599	Toner Cartridge Stopper	1
14	G060 3232	Base - Toner Cartridge Stopper	1
15	GA00 3033	Decal - Shielding Plate K	1
16	G060 3321	Shielding Plate - Y Development	1
17	GA00 3030	Decal - Shielding Plate Y	1
18	G060 3319	Shielding Plate - C Development	1
19	GA00 3032	Decal - Shielding Plate C	1
20	G060 3320	Shielding Plate - M Development	1
21	GA00 3031	Decal - Shielding Plate M	1
22	G060 1196	Duct:PCU:Supporter:Upper	2
23	G060 1198	PCU Duct	1
24	G060 3318	Shielding Plate - K Development	1
25	G060 3233	Toner Cartridge Holder Filter	2
26	G060 3337	Shield:Holder:Toner Cartridge	1
27	G060 3336	Holder:Toner Cartridge:BK:Left	1

Index No.	Part No.	Description	Q'ty Per Assembly
101	0451 3008B	Tapping Screw - M3x8	
102	0451 3006B	Tapping Screw - M3x6	
103	1105 0522	Edge Saddle - Les0510	
104	0450 3008B	Tapping Screw - M3x8	

## 14.PCU/Development Unit (G080)



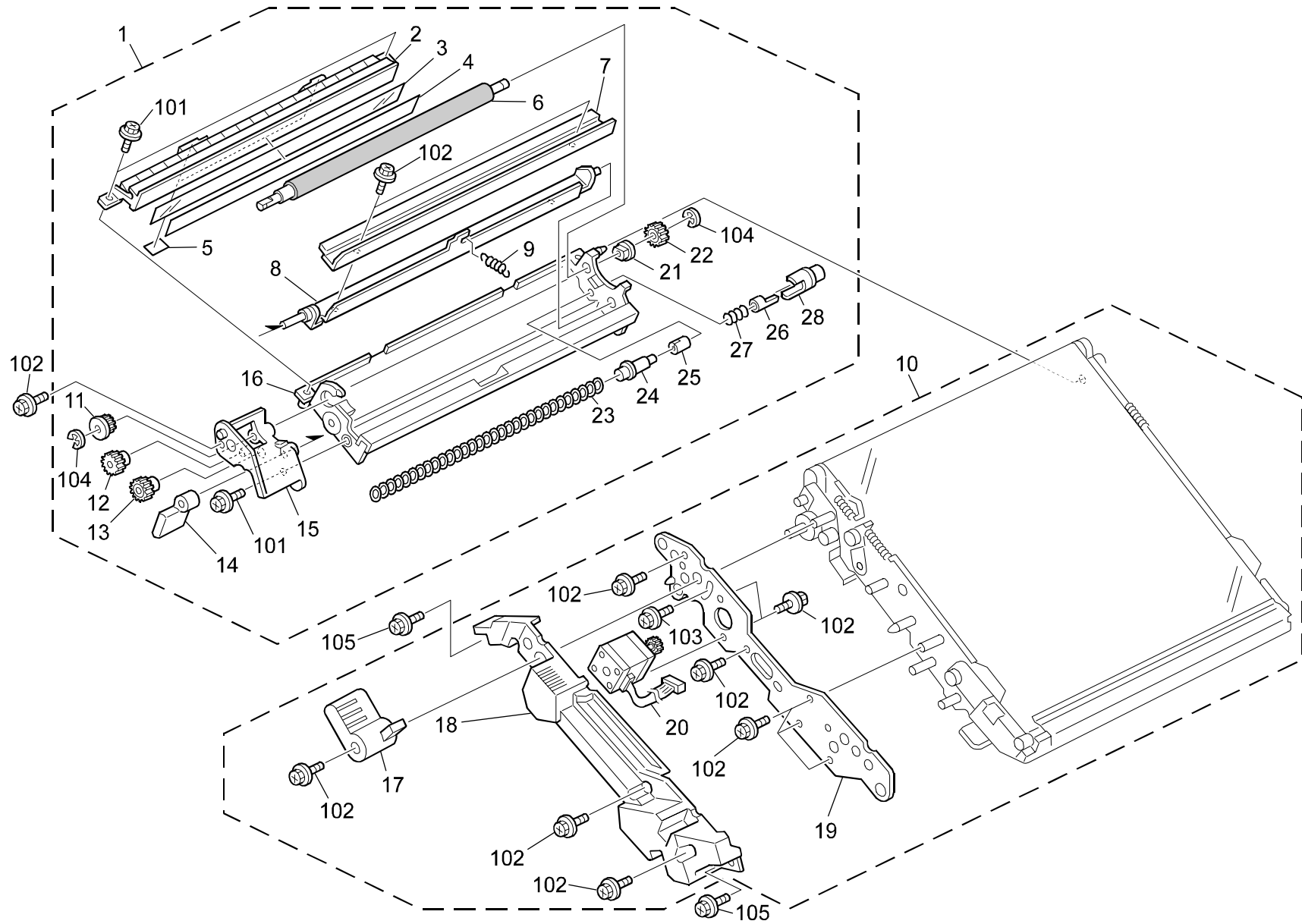
### 14.PCU/Development Unit (G080)



Index No.	Part No.	Description	Q'ty Per Assembly
1	G211 2005	PCU - CMY	3
2	G219 3003	Development Unit:Y:M-PAC:ASS'Y	1
3	G219 3001	Development Unit:C:M-PAC:ASS'Y	1
4	G219 3002	Development Unit:M:M-PAC:ASS'Y	1

Index No.	Part No.	Description	Q'ty Per Assembly

# 15.Transfer Unit 1 (G080)

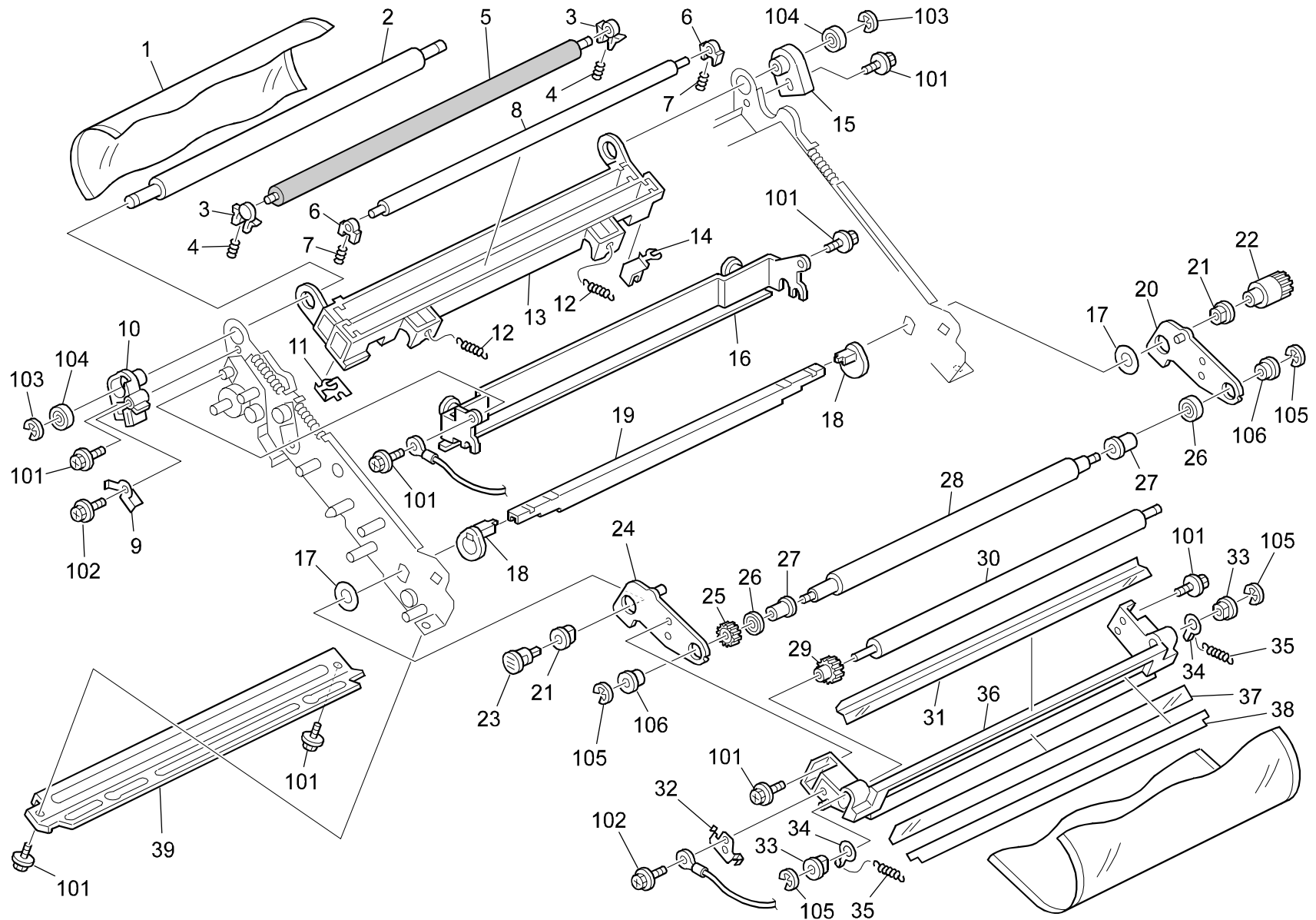


## 15.Transfer Unit 1 (G080)

Index No.	Part No.	Description	Q'ty Per Assembly
1	G080 3830	Cleaning Unit:Transfer Belt:Ass'y	1
2	G080 3731	Case:Coating Bar	1
3	G080 3733	Dual Faces Tepe:Entrance Seal	1
4	AD04 7034	Entrance Seal:Cleaning	1
5	G080 3732	Shield:Cleaning Unit	1
6	AD04 2047	Brush Roller:Cleaning	1
7	AD04 1081	Cleaning Blade:Ass'y	1
8	G080 3716	Bracket:Cleaning Blade:Ass'y	1
9	AA06 0920	Spring:Blade	1
10	G080 3810	Transfer Unit:Ass'y	1
11	AB01 1480	Gear:Brush Roller:Front	1
12	AB01 1481	Gear:Idler:Cleaning Unit	1
13	G060 3977	Gear - Transport Screw	1
14	G080 3745	Lever:Release:Cleaning Blade	1
15	G080 3740	Holder:Brush Roller:Front:Ass'y	1
16	G080 3831	Casing:Cleaning Unit:Ass'y	1
17	G080 3993	Lever:Release	1
18	G080 3994	Cover:Transfer Unit	1
19	G080 3990	Drum Stay:Transfer Unit:Peen	1
20	G080 3980	Stepper Motor:Transfer Belt:Press Fit	1
21	AA08 0248	Bushing - 6mm	1
22	AB01 0130	Gear:Drive:Brush Roller:Rear	1
23	AD04 3081	Toner Collection Coil:Cleaning	1
24	G060 3952	Shaft:Toner Collection Coil	1
25	G060 3953	Sleeve:Shaft:Toner Collection Coil	1
26	G080 3752	Shutter:Discharge Used Toner	1
27	AA06 3637	Compression Spring:Shutter:Collar	1
28	G080 3751	Cap:Discharge Used Toner:Transfer	1

Index No.	Part No.	Description	Q'ty Per Assembly
101	0450 3008B	Tapping Screw - M3x8	
102	0451 3006B	Tapping Screw - M3x6	
103	0804 6075	Hexagonal Bolt - M3x8	
104	0720 0040E	Retaining Ring - M4	
105	0451 3008B	Tapping Screw - M3x8	

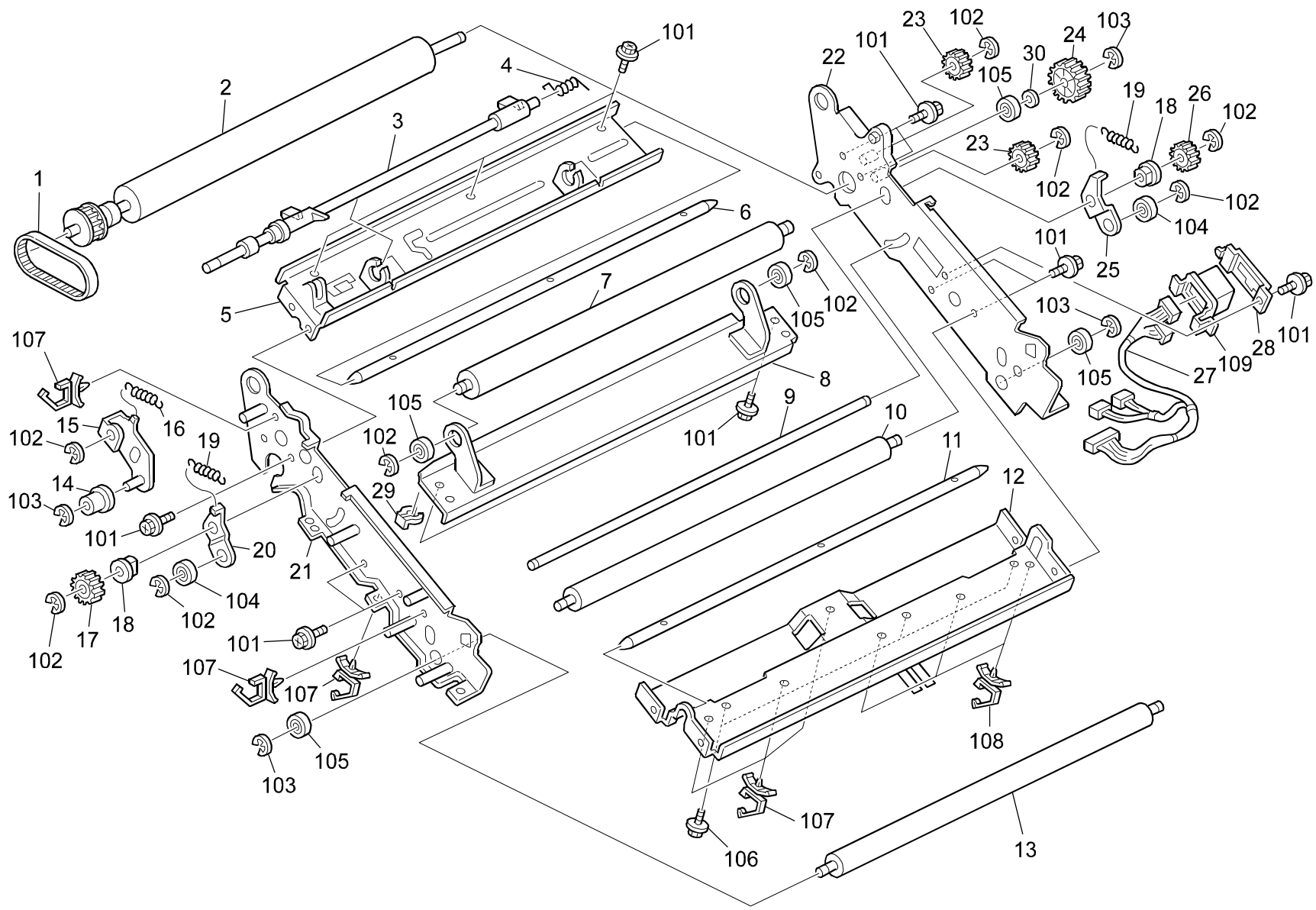
# 16.Transfer Unit 2 (G080)







# 17.Transfer Unit 3 (G080)



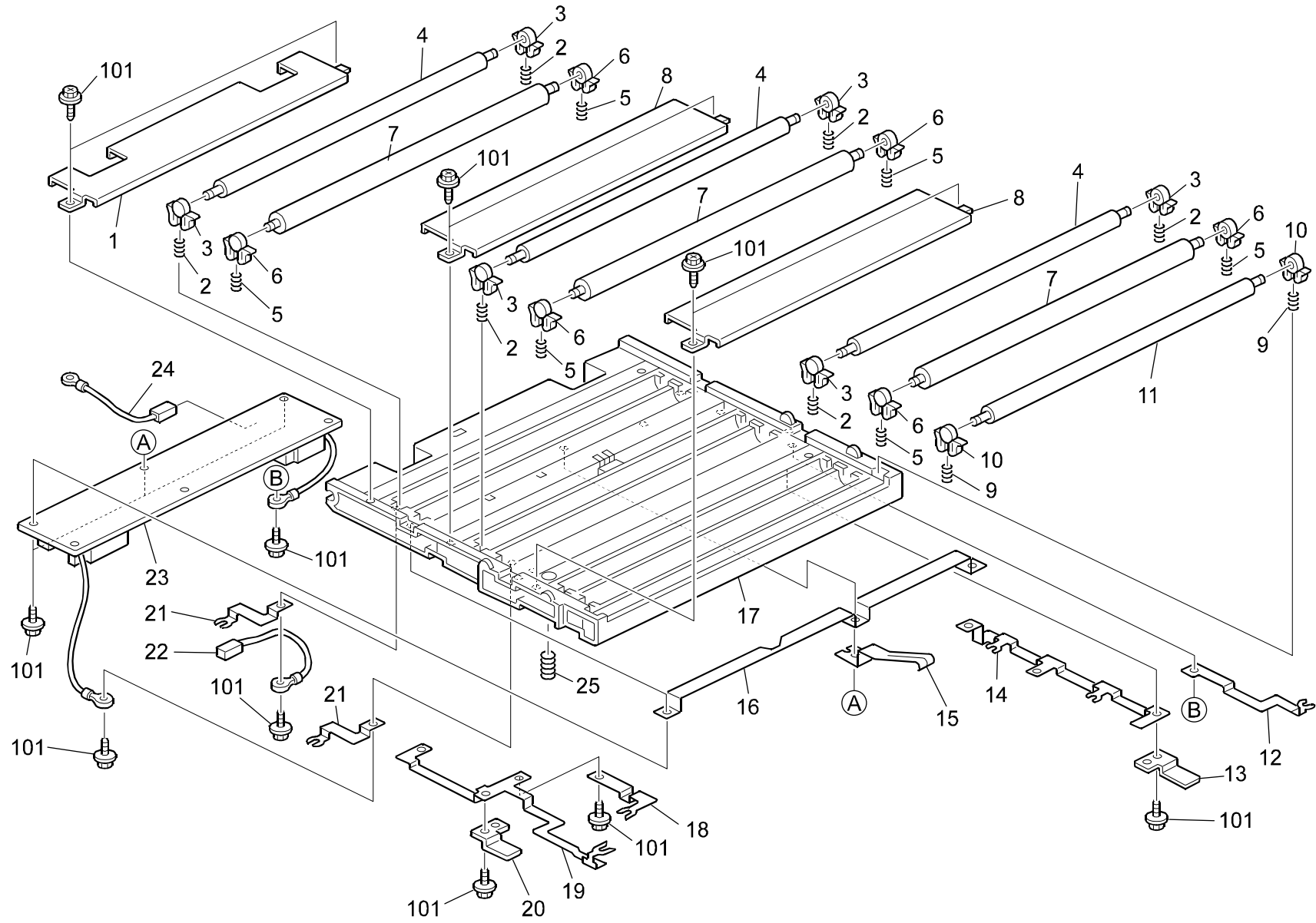
### 17.Transfer Unit 3 (G080)

Index No.	Part No.	Description	Q'ty Per Assembly
1	AA04 3298	Timing Belt:Drive:Transfer Belt	1
2	G080 3910	Drive Roller:Ass'y	1
3	G080 3908	Shaft:Release:Ass'y	1
4	G060 3712	Torsion Spring:Shaft:Release:10n	1
5	G080 3904	Stay:Left:Ass'y	1
6	AA14 0833	Shaft:Positioning Pin	1
7	G080 3945	Roller:Driven:Left Lower	1
8	G080 3946	Bracket:Roller:Driven:Peen	1
9	AA14 0834	Shaft:Drive:Brush Roller:Transmission	1
10	G080 3920	Roller:Tension	1
11	AA14 0836	Shaft:Positioning Pin:Right	1
12	G080 3900	Stay:Right:Ass'y	1
13	G080 3930	Roller:Driven:Right Lower	1
14	AB03 0739	Pulley:Tightener	1
15	G080 3985	Tightener:Drive:Peen	1
16	AA06 0919	Tension Spring:Tightener	1
17	AB01 0125	Gear:Drive:Brush Roller:Front	1
18	AA08 2101	Bushing - 6x10x6	2
19	AA06 0917	Tension Spring:Tension:Transfer Belt	2
20	G080 3921	Bracket:Roller:Tension:Front	1
21	G080 3890	Frame:Front:Ass'y	1
22	G080 3895	Frame:Rear:Ass'y	1
23	AB01 0127	Gear:Idler:Brush Roller:Small	2
24	AB01 0124	Gear:Idler:Brush Roller:Large	1
25	G080 3922	Bracket:Roller:Tension:Rear	1
26	AB01 0130	Gear:Drive:Brush Roller:Rear	1
27	G080 5472	Harness:Transfer Unit:Drawer	1
28	G080 3897	Bracket:Drawer	1
29	G080 3943	Spacer:0.5mm	1
30	G080 3918	Spacer:M8.2:0.8mm	1



Index No.	Part No.	Description	Q'ty Per Assembly
101	0451 3006B	Tapping Screw - M3x6	
102	0720 0040E	Retaining Ring - M4	
103	0720 0060E	Retaining Ring - M6	
104	0805 3524	Bearing - M3x6x2.5	
105	0805 3525	Bearing	
106	0450 3008B	Tapping Screw - M3x8	
107	1105 0511	Harness Clamp - LWS-0306ZC	
108	1105 0516	Clamp	
109	1102 9387	Connector:Drawer:51405-2611	

# 18.Transfer Unit 4 (G080)

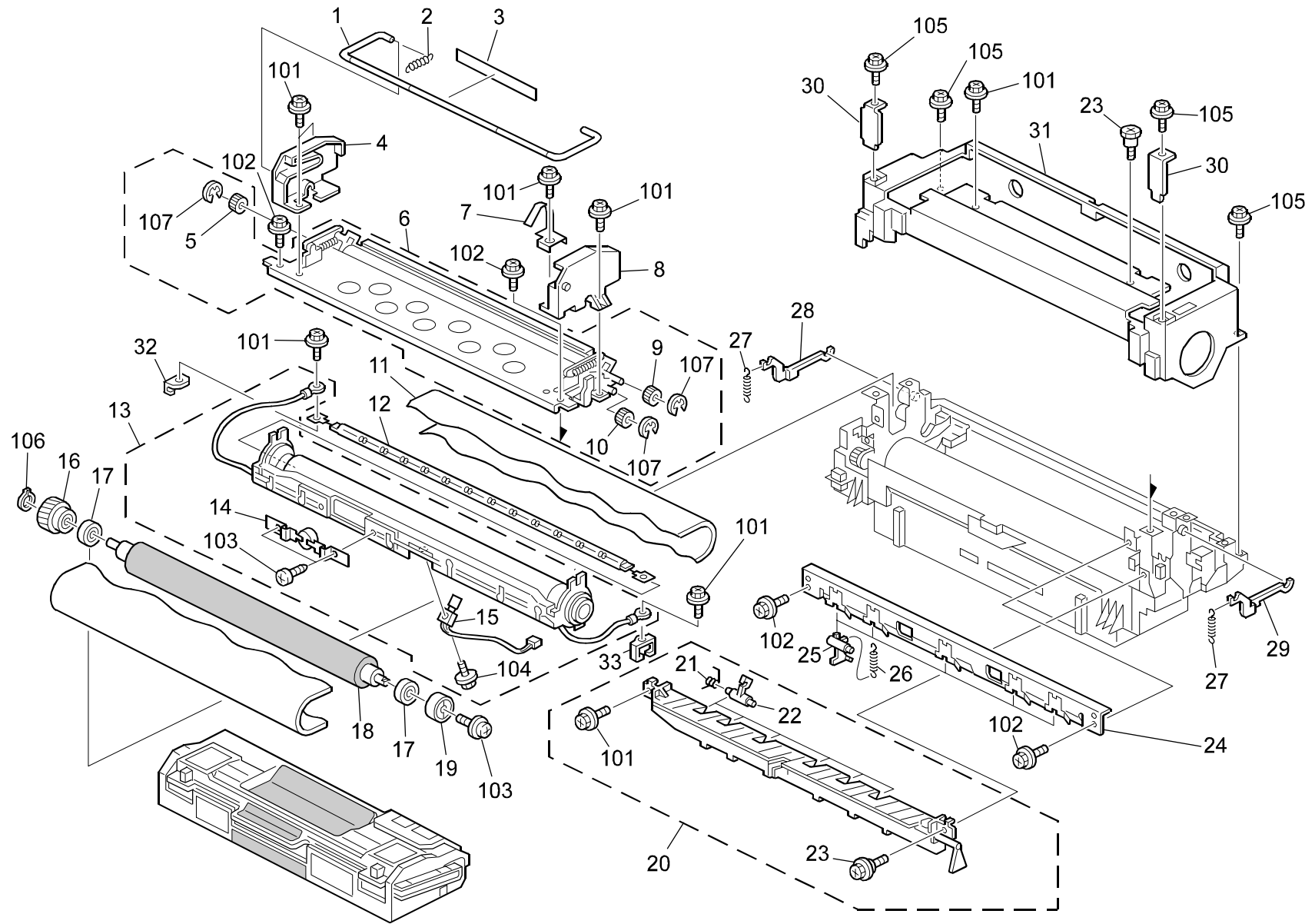


### 18.Transfer Unit 4 (G080)

Index No.	Part No.	Description	Q'ty Per Assembly
1	G080 3887	Ground Plate:Y:Ass'y	1
2	AA06 3891	Compression Spring:Roller:Back Up	6
3	G080 3862	Bushing:Roller:Back Up	6
4	G080 3898	Roller:Back Up:Ass'y	3
5	AA06 3890	Compression Spring:Pressure:Transfer Roller	6
6	G080 3861	Bushing:Transfer Roller	6
7	G080 3855	Transfer Roller	3
8	G080 3923	Ground Plate:Magenta:Ass'y	2
9	G060 3924	Compression Spring - Back Up 3n	2
10	G060 3852	Bushing - Back-up	2
11	G080 3864	Roller:Back Up:Ass'y	1
12	G080 3881	Terminal:Transfer Roller:Magenta	1
13	G060 3956	Rear Spring Plate - Transfer	1
14	G080 3884	Terminal:Earth:Cyan	1
15	G080 3886	Spring Plate:Ground Plate:Cyan	1
16	G080 3875	Ground Plate:Connecting:1	1
17	G080 3870	Frame:Collar	1
18	G080 3883	Terminal:Earth:Magenta	1
19	G080 3880	Ground Plate:Roller:Back Up	1
20	G060 3955	Front Spring Plate - Transfer	1
21	G080 3882	Terminal:Transfer Roller:Cyan	2
22	G060 5511	Harness - High Voltage Line T-K	1
23	AZ32 0115	Power Pack:Tpac1:P2	1
24	G080 5512	Harness:High Voltage Line:T-Y	1
25	AA06 3892	Compression Spring:Earth	1

Index No.	Part No.	Description	Q'ty Per Assembly
101	0450 3008B	Tapping Screw - M3x8	

# 19.Fusing Unit 1 (G080)

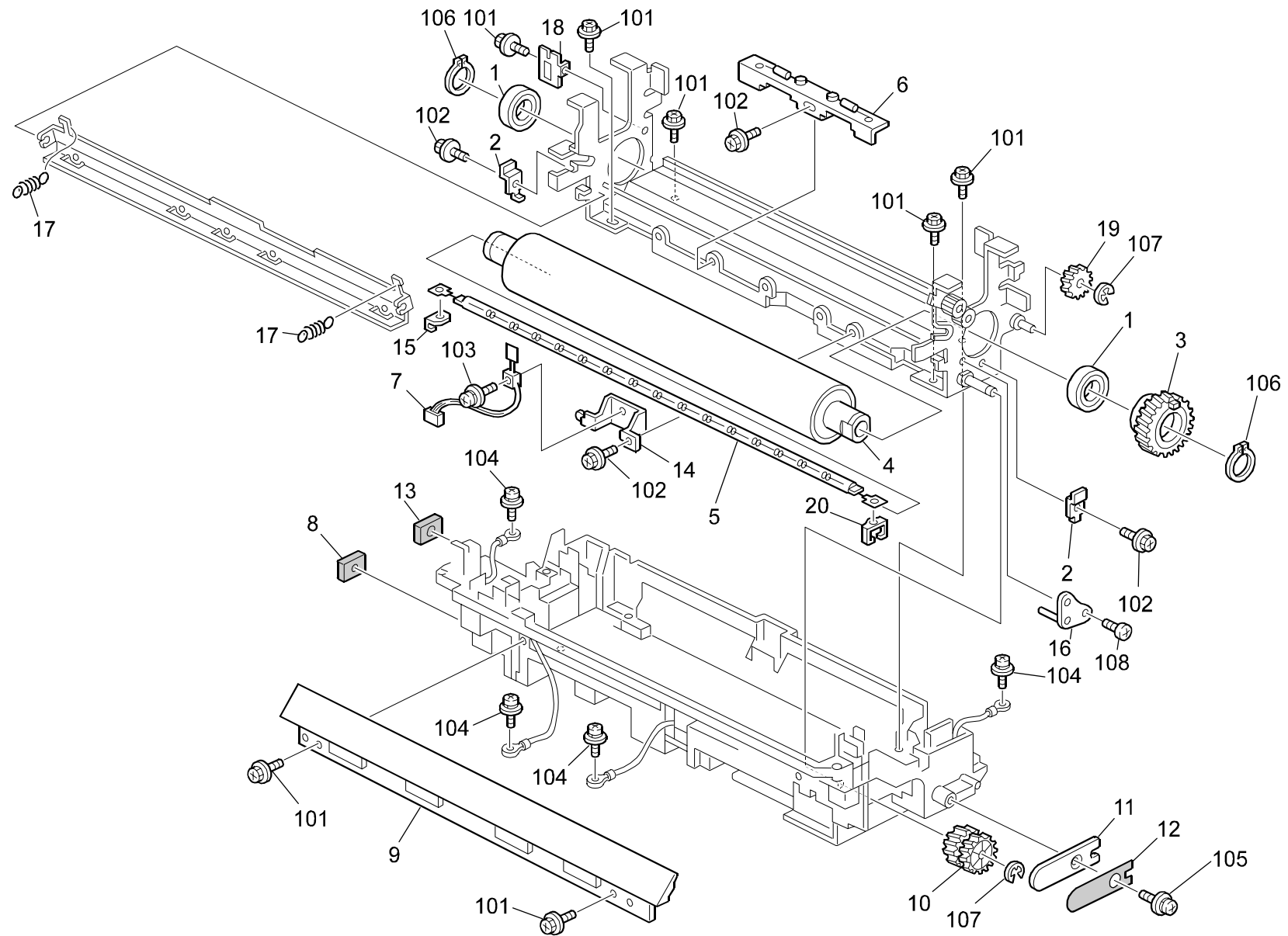


## 19.Fusing Unit 1 (G080)


Index No.	Part No.	Description	Q'ty Per Assembly
1	G080 4317	Grip:Fusing Unit	1
2	G080 4308	Tension Spring:Grip	1
3	G080 4323	Sheet:Fiber:Grip	1
4	G080 4315	Supporter:Oil Application Unit:Rear	1
5	G080 4192	Gear:Oil Supply Roller:No.2	1
6	G080 4035	Stay:Fusing:Upper:Ass'y	1
7	G080 4307	Spring Plate:Return	1
8	G080 4309	Supporter:Oil Application Unit:Front	1
9	G080 4194	Gear:Oil Supply Roller:No.1	1
10	G080 4195	Gear:Oil Supply Roller:No.2:Front	1
11	G060 4208	Fusing Belt	1
12	AX44 0169	Heater:120V:700W	1
12	AX44 0176	Heater:230V:700W	1
13	G080 4042	Stay:Heat Roller:Ass'y	1
14	G080 4152	Thermostat:Ass'y	1
15	AW10 0077	Thermistor:Fusing	1
16	AB01 2023	Gear:Fusing	1
17	AE03 0044	Ball Bearing - 10x22x6	2
18	AE01 0037	Hot Roller:Mm29	1
19	G080 4251	Knob:Fusing	1
20	G080 4010	Guide Plate:Fusing Exit:Lower:Ass'y	1
21	AA06 6594	Spring:Pickoff Pawl:Pressure Roller	6
22	AE04 4050	Stripper Pawl	6
23	AA14 3520	Shoulder Screw - M3	2
24	G080 4180	Bracket:Pickoff Pawl:Ass'y	1
25	AE04 4051	Pickoff Pawl:Belt:Fusing	5
26	AA06 0932	Tension Spring:Stripper Pawls	5
27	G080 4126	Spring:Pressure:Hot Roller	2
28	G080 4129	Arm:Hot Roller:Rear	1
29	G080 4128	Arm:Hot Roller:Front	1
30	G080 4245	Magnet Catch:Fusing	2
31	G080 4207	Fusing Cover:Upper:Exp:Ass'y	1
32	G060 4190	Nut:Fusing	1
33	G080 4197	Spacer:Heater	1

Index No.	Part No.	Description	Q'ty Per Assembly
101	0804 6075	Hexagonal Bolt - M3x8	
102	0451 3006B	Tapping Screw - M3x6	
103	0957 3008B	Philips Screw - M3x8	
104	0954 3010B	Philips Screw - M3x10	
105	0450 3008B	Tapping Screw - M3x8	
106	0725 0100E	Retaining Ring C - M10	
107	0720 0040E	Retaining Ring - M4	

## 20.Fusing Unit 2 (G080)



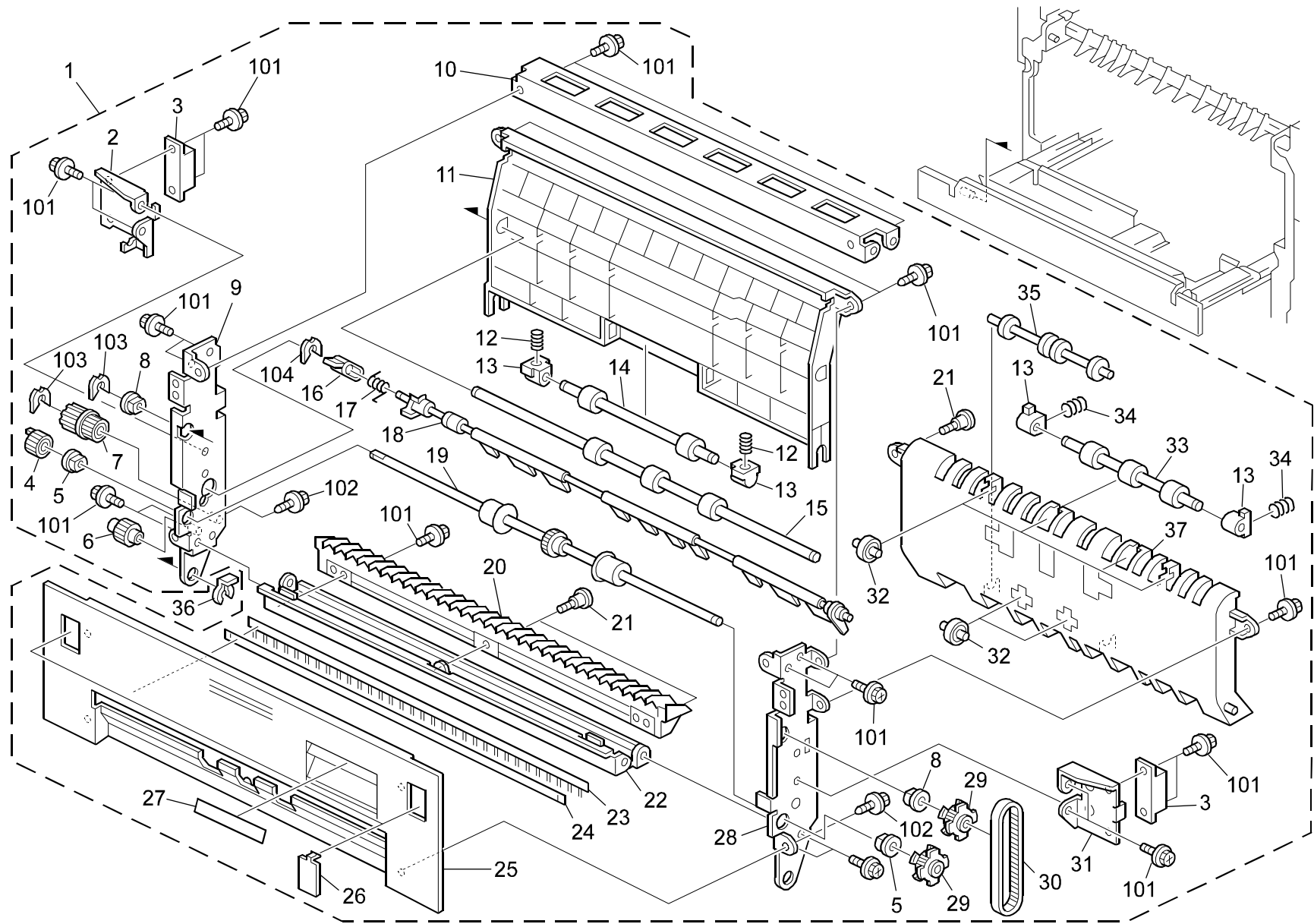
## 20.Fusing Unit 2 (G080)

Index No.	Part No.	Description	Q'ty Per Assembly
1	AE03 0041	Ball Bearing -20x32x7	2
2	G060 4179	Bracket:Fix:Pressure Roller	2
3	AB01 2022	Gear:Pressure:Drive	1
4	AE02 0120	Pressure Roller	1
5	AX43 0065	Fusing Lamp - 120V 350W	1
5	AX43 0070	Fusing Lamp - 230V 350W	1
6	G080 4012	Thermofuse:Ass'y	1
7	AW10 0083	Thermistor:Pressure	1
8	G080 4202	Shield:Positioning Pin:Front	1
9	G080 4210	Fusing Entrance Guide Plate	1
10	AB01 2021	Gear:Idler:Drive	1
11	G060 4187	Bracket:Gear:Idler	1
12	G060 4188	Sheet:Fiber:Bracket	1
13	G080 4203	Shield:Positioning Pin:Rear	1
14	G077 4070	Bracket:Thermistor	1
15	G060 4190	Nut:Fusing	1
16	G060 4078	Bracket:Stud:Rear:Peen	1
17	GA06 0057	Tension Spring - 9.7n	1
18	G080 4211	Bracket:Connector	1
19	AB01 2024	Gear:Idler:Pressure:Exit:Z19	1
20	G080 4197	Spacer:Heater	1
			

Index No.	Part No.	Description	Q'ty Per Assembly
101	0450 3008B	Tapping Screw - M3x8	
102	0451 3006B	Tapping Screw - M3x6	
103	0954 3010B	Philips Screw - M3x10	
104	0804 6075	Hexagonal Bolt - M3x8	
105	0957 3008B	Philips Screw - M3x8	
106	0725 0200E	Retaining Ring C - M20	
107	0720 0040E	Retaining Ring - M4	
108	0353 0040B	Screw - M3X4	



## 21.Paper Exit Section 1 (G080)

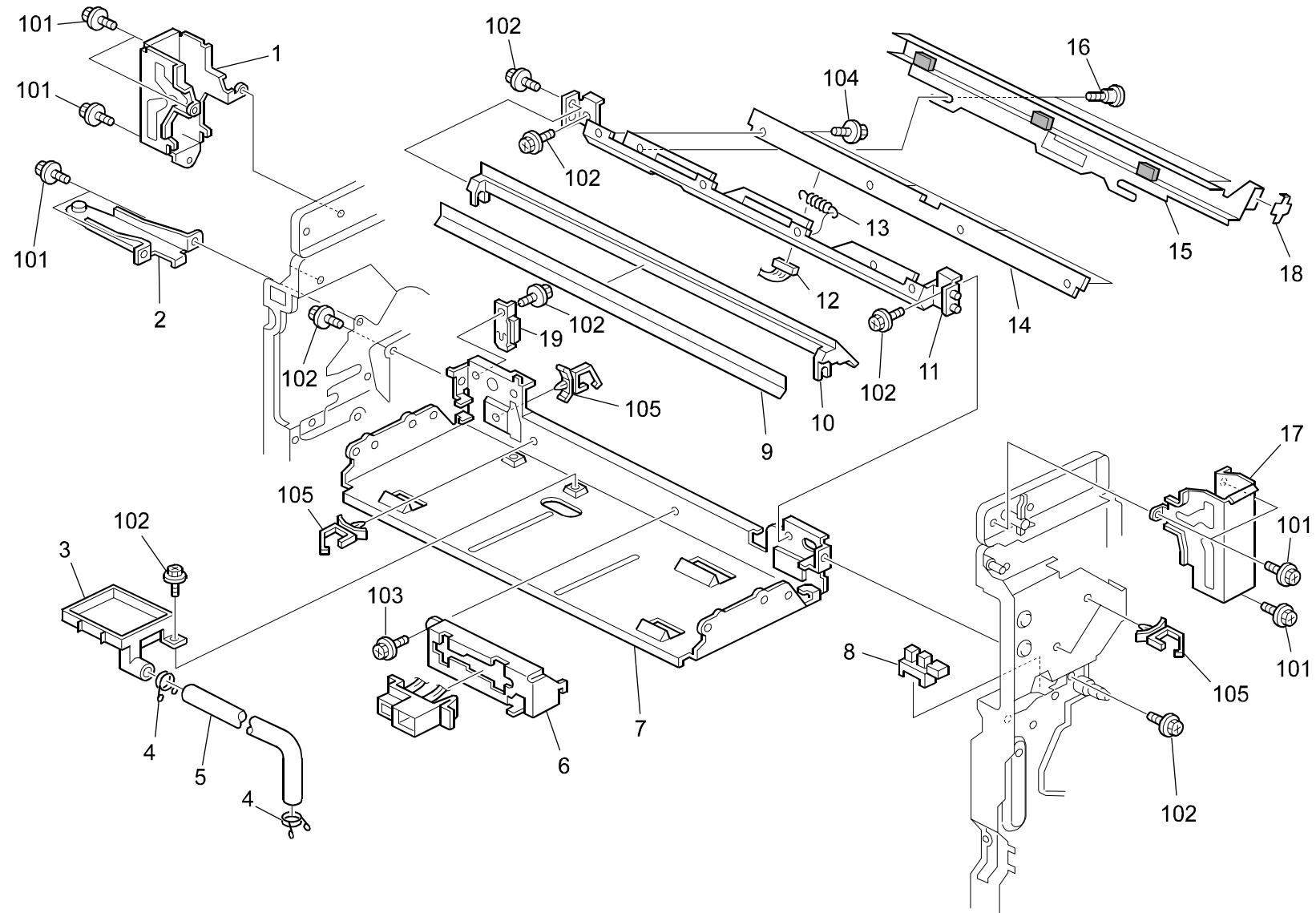


## 21.Paper Exit Section 1 (G080)

Index No.	Part No.	Description	Q'ty Per Assembly
1	G080 4410	Paper Exit Sub-unit:Fu:Ass'y	1
2	G080 4457	Bracket:Magnet Catch:Rear	1
3	AG07 0020	Magnet Catch:37n	2
4	G080 4439	Gear:Exit Roller:Fu:18z	1
5	AA08 2075	Bushing - M6	2
6	G080 4451	Gear:Idler:21z	1
7	G080 4450	Gear:Input:17z:19z	1
8	AA08 2101	Bushing - 6x10x6	2
9	G080 4431	Side Plate:Exit:Rear:Peen	1
10	G080 4436	Stay:Exit:Upper	1
11	G080 4440	Guide Plate:Exit:Connecting	1
12	G060 4429	Compression Spring - Exit Driven 1n	2
13	G060 4449	Bushing - M4	4
14	AF04 0593	Roller:Driven:Fu	1
15	AF04 0594	Transport Roller:Exit:Vertical Transport	1
16	G080 4441	Link:Gate Pawl:Exit	1
17	G080 4447	Torsion Spring:Gate Pawl:Exit	1
18	G080 4442	Gate Pawl:Exit	1
19	AF04 0592	Exit Roller:FU	1
20	G080 4449	Guide Plate:Exit:Entrance:Lower	1
21	AA14 3716	Stepped Screw	3
22	G080 4437	Stay:Exit:Lower	1
23	AA12 0102	Discharge Brush - Exit	1
24	G060 4496	Support Plate - Discharge Brush	1
25	G080 4430	Cover:Exit	1
26	G080 4444	Cover:Exit:Lock:Duplex	2
27	GA00 1004	Decal - Grip B2	1
28	G080 4435	Side Plate:Exit:Front	1
29	G080 4438	Pulley:Exit Roller:20t	2
30	G080 4445	Timing Belt:S2m186	1
31	G080 4456	Bracket:Magnet Catch:Front	1
32	G060 4447	Driven Roller - M16	6
33	AF04 0595	Roller:Driven:Connecting	1
34	G060 4436	Compression Spring - Exit Driven	2
35	G080 4452	Roller:Driven:Fusing Exit	1

Index No.	Part No.	Description	Q'ty Per Assembly
36	5215 2621	Snap Ring - M6	1
37	G080 4446	Guide Plate:Fusing Exit:Upper	1
101	0451 3006B	Tapping Screw - M3x6	
102	0450 3008B	Tapping Screw - M3x8	
103	0805 0089	Retaining Ring - M4	
104	0805 0092	Retaining Ring - 3m	

## 22.Paper Exit Section 2 (G080)

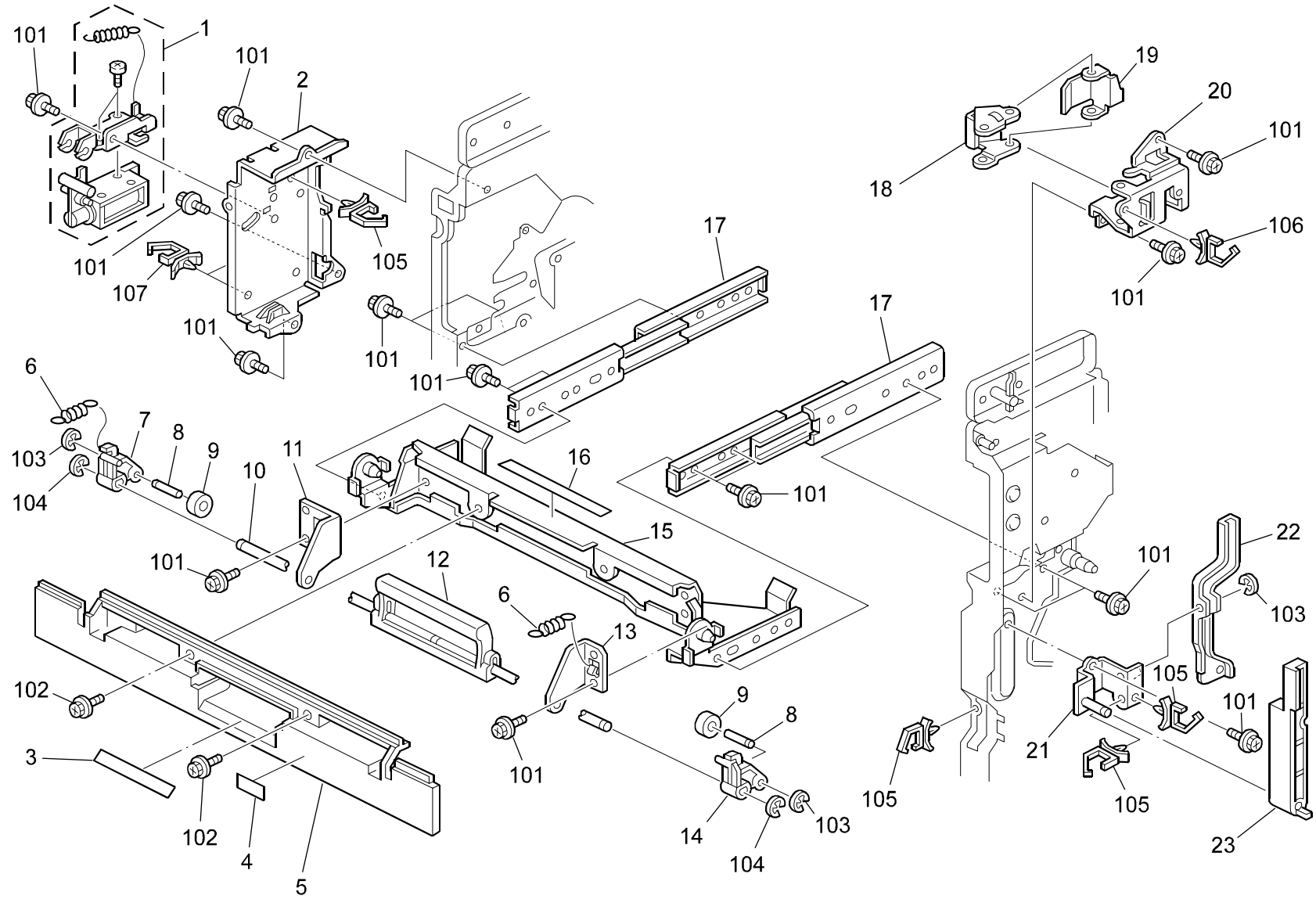


## 22.Paper Exit Section 2 (G080)

Index No.	Part No.	Description	Q'ty Per Assembly
1	G080 1099	Bracket:Option:Rear	1
2	G077 5821	Guide Plate:Left Upper:Peen	1
3	G080 4231	Holder:Oil	1
4	G080 4233	Clip:M11	2
5	G080 4232	Tube:Used Developer:Oil	1
6	G080 6041	Bracket:Drawer:Fusing	1
7	G080 1078	Supporter:Fusing Unit	1
8	AW02 0120	Photointerruptor - Flat	1
9	G080 3621	Cover:Density Sensor	1
10	G080 3620	Guide Plate:Transfer:Exit	1
11	G080 3611	Bracket:Density Sensor:Ass'y	1
12	G080 5495	Harness:Sensor:TM	1
13	AA06 0921	Tension Spring:Shutter	1
14	G080 5550	PCB:Density Sensor	1
15	G080 3617	Shutter:Density Sensor:Ass'y	1
16	A259 6239	Screw - M3X4	1
17	G080 1098	Bracket:Option:Front	1
18	G080 3618	Sheet:Shutter	1
19	G080 1079	Holder:Connector:Ass'y	1

Index No.	Part No.	Description	Q'ty Per Assembly
101	0802 5291	Tapping Screw:Round Point:M3x6	
102	0451 3006B	Tapping Screw - M3x6	
103	0453 3006B	Tapping Screw - M3x6	
104	0353 0040B	Screw - M3X4	
105	1105 0511	Harness Clamp - LWS-0306ZC	

## 23.Paper Exit Section 3 (G080)

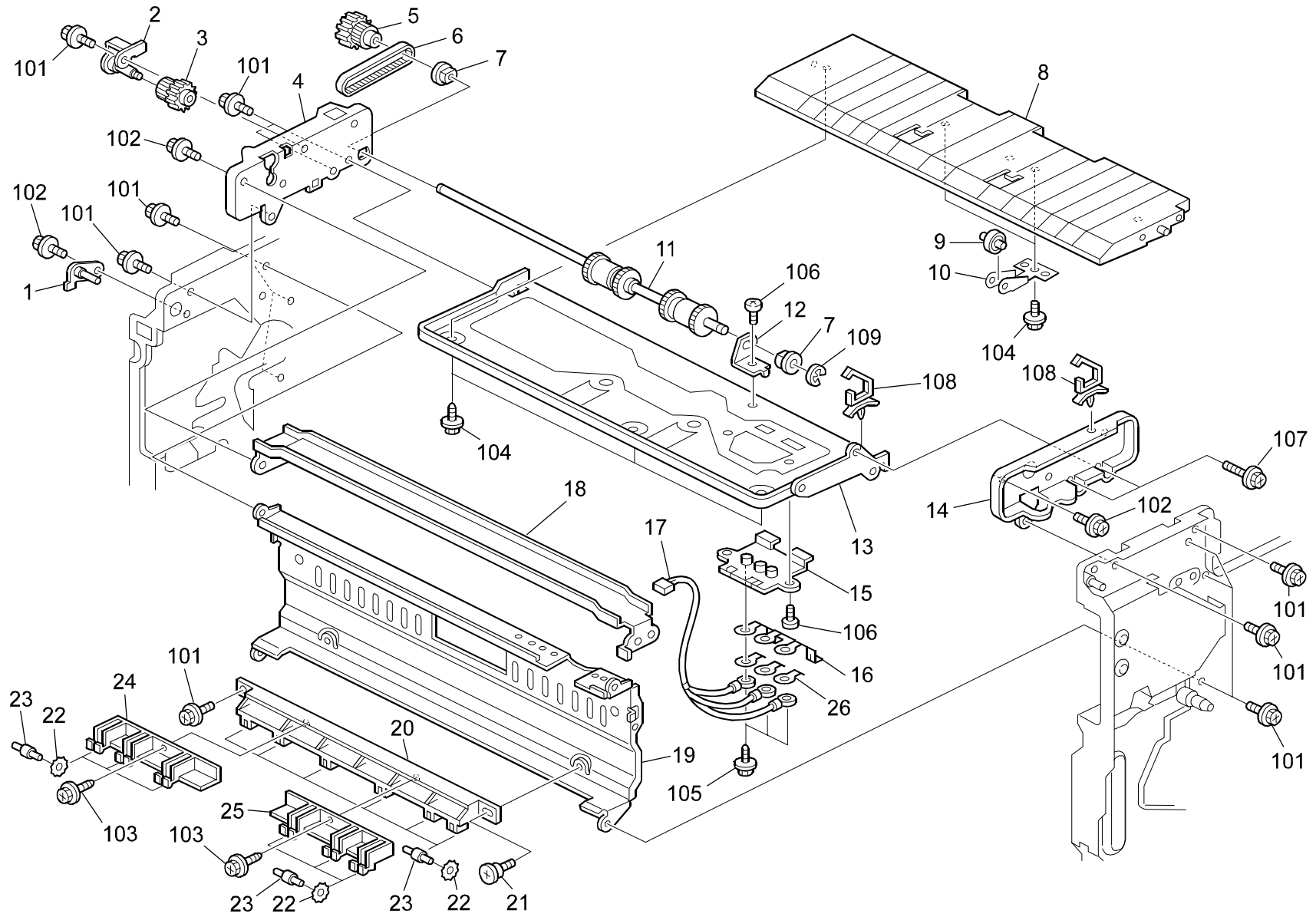


### 23.Paper Exit Section 3 (G080)

Index No.	Part No.	Description	Q'ty Per Assembly
1	G080 4470	DC Solenoid:Gate Pawl:Exit:Ass'y	1
2	G060 1091	Rear Fusing Bracket	1
3	GA00 1003	Decal - Grip B1	1
4	GA00 3029	Decal - Vertical Transport	1
5	G060 6040	Cover - Fusing Unit Holder	1
6	G060 6038	Detent Spring	2
7	G060 6033	Rear Holder Arm	1
8	G060 6037	Detent Shaft	2
9	G060 6035	Detent Roller	2
10	G060 6036	Arm Shaft	1
11	G060 6031	Bracket - Rear Lever	1
12	G060 6039	Grip - Cover	1
13	G060 6032	Bracket - Front Lever	1
14	G060 6034	Front Holder Arm	1
15	G080 6021	Holder:Fusing Unit:Peen	1
16	GA00 3055	Decal:Fusing Unit:Positioning Display	1
17	G080 6012	Slide Rail:110mm	2
18	G060 5823	Bracket - Door Switch	1
19	G060 5822	Bracket - Safety Switch	1
20	G060 5801	Bracket - Door Switch Lever	1
21	G080 5805	Bracket:Auxiliary:Peen	1
22	G080 5807	Lever:Door Switch	1
23	G060 5808	Arm - Safety Switch	1

Index No.	Part No.	Description	Q'ty Per Assembly
101	0802 5291	Tapping Screw:Round Point:M3x6	
102	0450 3008H	Tapping Screw - M3x8	
103	0720 0030E	Retaining Ring - M3	
104	0720 0060E	Retaining Ring - M6	
105	1105 0511	Harness Clamp - LWS-0306ZC	
106	1105 0488	Harness Clamp	
107	1105 0516	Clamp	

## 24.Paper Exit Section 4 (G080)



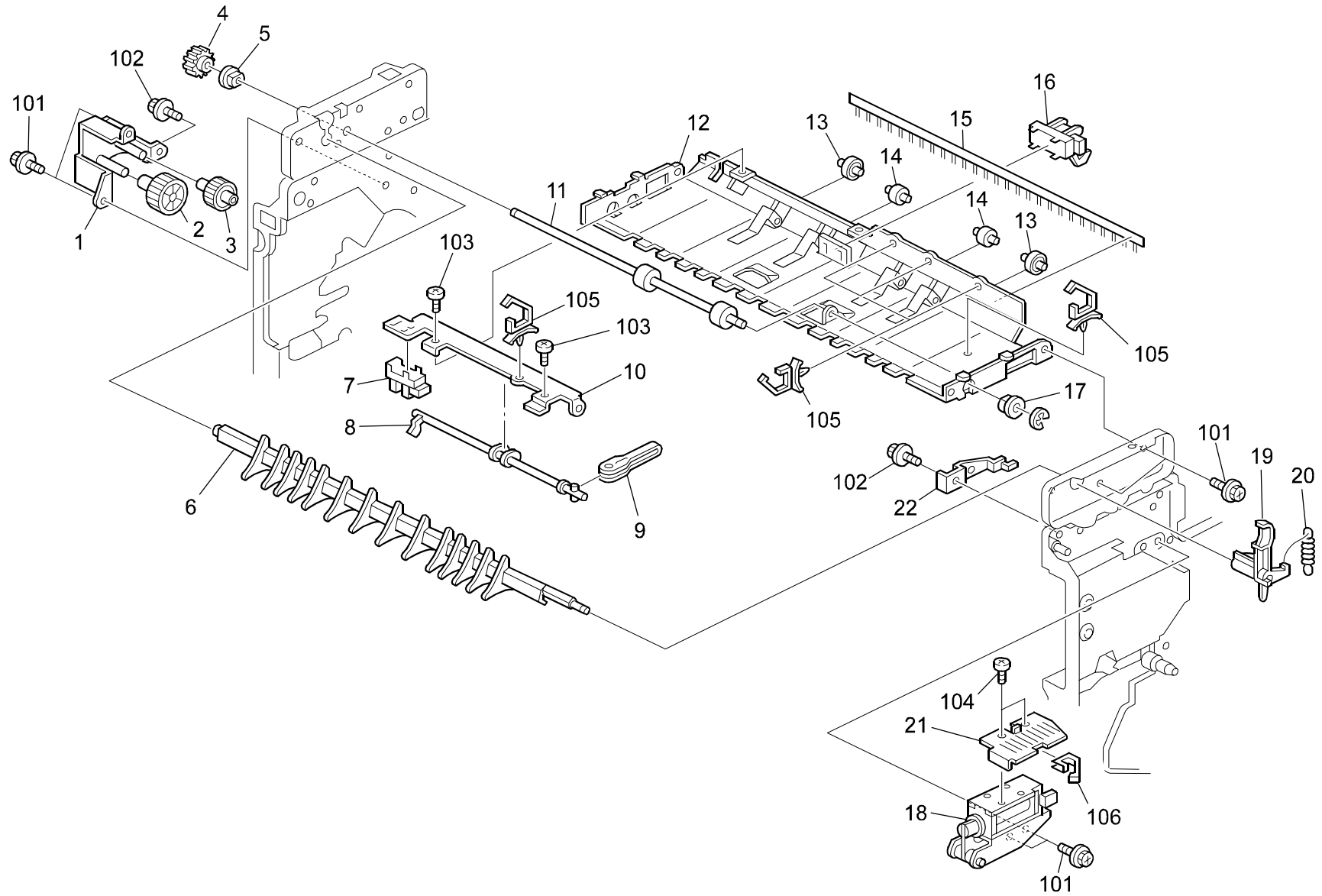
## 24.Paper Exit Section 4 (G080)

Index No.	Part No.	Description	Q'ty Per Assembly
1	G060 4850	Stopper Shaft Bracket	1
2	G077 4464	Bracket:Gear:Floppy Disk:Peen	1
3	G077 4462	Gear:Pulley:18z27t	1
4	G080 4461	Side Plate:Exit:Fd:Rear	1
5	AB01 2321	Gear:Pulley:25z:30t	1
6	G060 4463	Timing Belt - S2M176	1
7	AA08 2101	Bushing - 6x10x6	2
8	G060 4455	Guide Plate:Exit:Lower	1
9	G060 4454	Driven Roller - M13	2
10	G060 4467	Roller Holder	2
11	AF04 0597	Exit Roller:Floppy Disk	1
12	G060 4457	Bracket - Exit Roller	1
13	G080 4462	Stay:Exit:Floppy Disk:Lower	1
14	G080 4460	Side Plate:Exit:Fd:Front	1
15	G080 4291	Base:Set Sensor	1
16	G080 4292	Electrode:Set Sensor:Machine Or Copier	1
17	G080 5504	Harness:New Article Sensor:Oil	1
18	G080 4463	Stay:Exit:FD:Upper	1
19	G080 1066	Frame:Lengthwise Upper:Peen	1
20	G080 4097	Holder:Guide:Roller	1
21	AA14 3716	Stepped Screw	1
22	A267 3255	Paper Separation Guide	12
23	G060 4098	Shaft:Guide	12
24	G060 4096	Holder:Guide:Rear	1
25	G060 4095	Holder:Guide:Front	1
26	G080 4293	Supporting Plate:Set Sensor	1

Index No.	Part No.	Description	Q'ty Per Assembly
101	0451 3006B	Tapping Screw - M3x6	
102	0802 5291	Tapping Screw:Round Point:M3x6	
103	0452 3008B	Tapping Screw - M3x8	
104	0450 3006B	Tapping Screw - M3x6	
105	0452 3006B	Tapping Screw - M3x6	
106	0353 0080B	Screw - M3X8	
107	0451 3010B	Tapping Screw - M3x10	
108	1105 0511	Harness Clamp - LWS-0306ZC	
109	0720 0040E	Retaining Ring - M4	



## 25.Paper Exit Section 5 (G080)

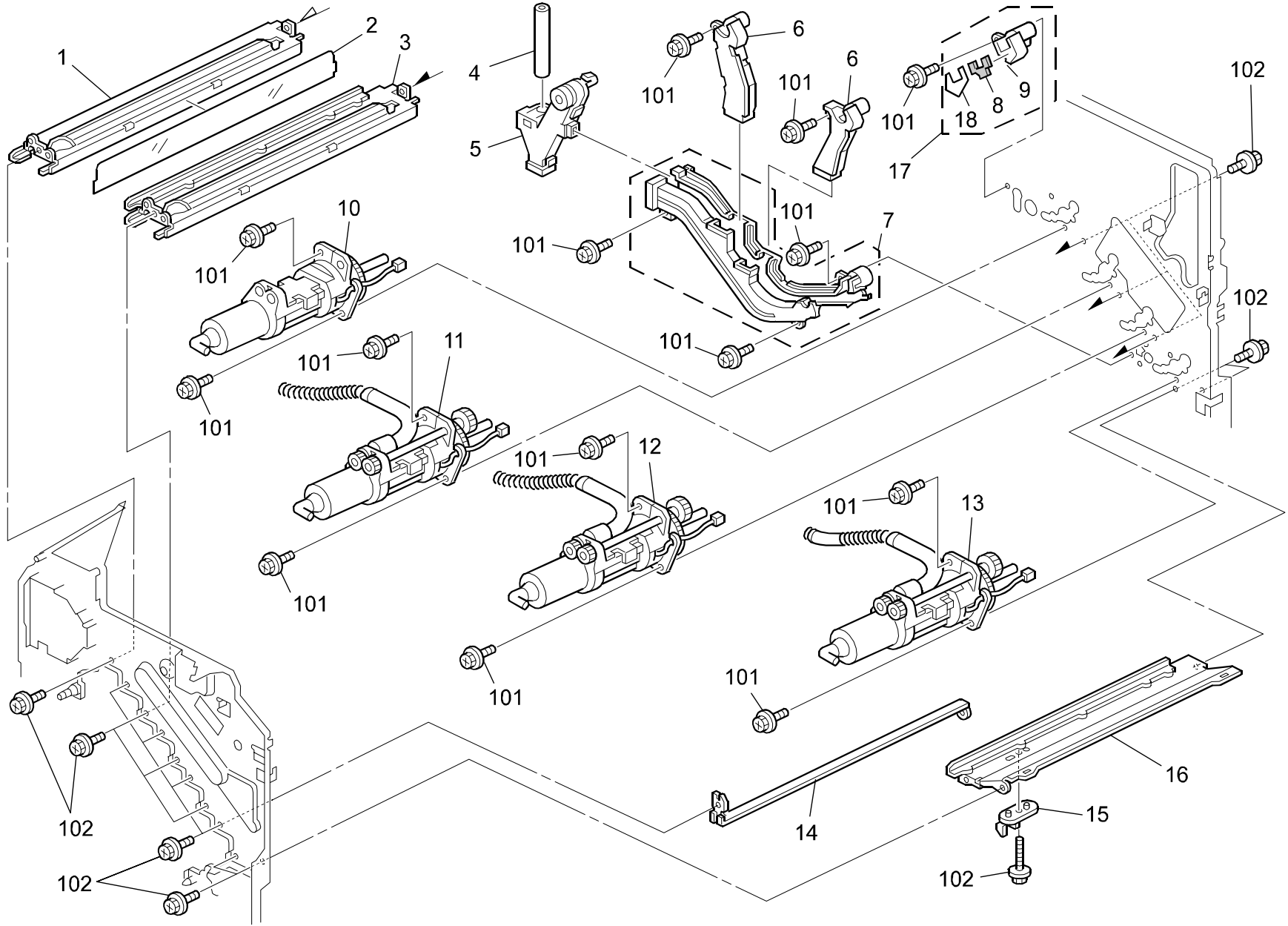


## 25.Paper Exit Section 5 (G080)

Index No.	Part No.	Description	Q'ty Per Assembly
1	G080 4464	Bracket:Idler:Fd:Peen	1
2	AB01 2322	Gear:Idler:29z	1
3	AB01 2323	Gear:Idler:19z	1
4	G060 4458	Gear - 16Z	1
5	AA08 2101	Bushing - 6x10x6	1
6	G060 4459	Gate Pawl	1
7	AW02 0120	Photointerruptor - Flat	1
8	G060 4479	Shaft - Paper Sensor	1
9	G060 4482	Feeler - Paper Sensor	1
10	G060 4481	Bracket - Paper Sensor	1
11	AF04 0596	Transport Roller:Floppy Disk	1
12	G060 4451	Upper Exit Guide Plate	1
13	G060 4447	Driven Roller - M16	2
14	G060 4428	Drinev Roller - M13	2
15	AA12 0102	Discharge Brush - Exit	1
16	AW02 0121	Photointerruptor - Square	1
17	AA08 2102	Bushing - 6x10x6	1
18	G080 4270	DC Solenoid:Oil Supply:Ass'y	1
19	G060 4460	Lever - Gate Pawl	1
20	G060 4461	Tension Spring - Gate Pawl	1
21	G060 4335	Heat Sink - DC Solenoid Apply	1
22	G080 4237	Plate:Grip	1

Index No.	Part No.	Description	Q'ty Per Assembly
101	0802 5291	Tapping Screw:Round Point:M3x6	
102	0451 3006B	Tapping Screw - M3x6	
103	0453 3006B	Tapping Screw - M3x6	
104	0353 0040B	Screw - M3X4	
105	1105 0511	Harness Clamp - LWS-0306ZC	
106	1105 0522	Edge Saddle - Les0510	
107	0720 0040E	Retaining Ring - M4	

## 26.Waste Toner Transfer Section (G080)

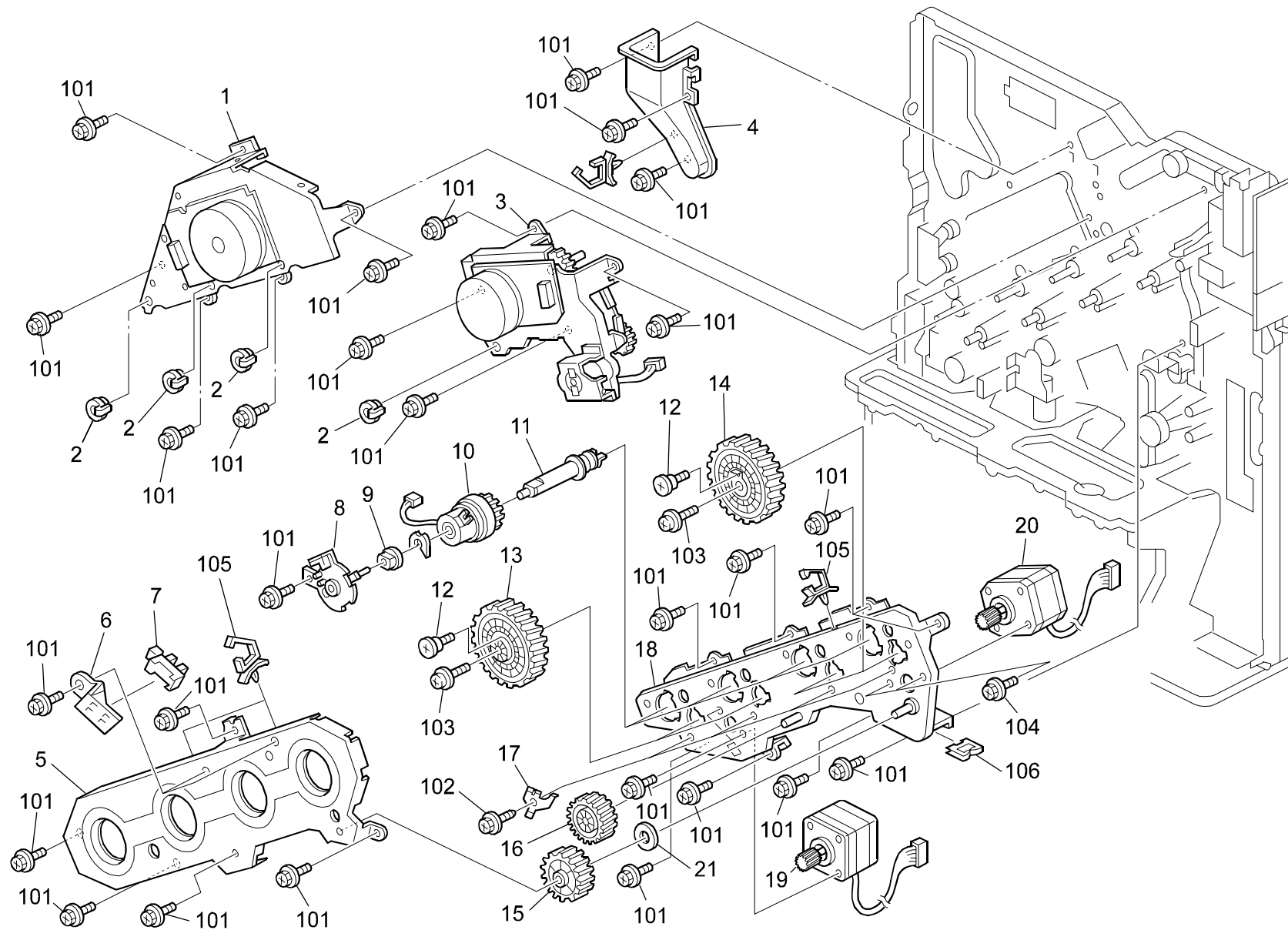


## 26.Waste Toner Transfer Section (G080)

Index No.	Part No.	Description	Q'ty Per Assembly
1	G080 1072	Supporter:PCU	1
2	G060 1184	Film - PCU Guide Rail	1
3	G080 1071	Supporter:PCU:Peen	1
4	B101 3561	Tube:Connecting:Bk	1
5	G080 3603	Guide:Collection Bottle:Ass'y	1
6	G080 3361	Toner Outlet Sub-unit:CY:Sub-ass'y	2
7	G080 3363	Toner Outlet Sub-unit:M:Sub-ass'y	1
8	AA15 3463	Seal - Case M/Y	1
9	B101 3560	Case:Connecting:BK	1
10	G080 3351	Pump:Toner Supply Unit:BK:Sub-ass'y	1
11	G080 3354	Pump:Toner Supply Unit:Y:Sub-ass'y	1
12	G080 3353	Pump:Toner Supply Unit:C:Sub-ass'y	1
13	G080 3352	Pump:Toner Supply Unit:M:Sub-ass'y	1
14	G060 1076	Left Guide - Development Unit	1
15	G060 2972	Safety Switch Feeler	1
16	G060 1074	Upper Registration Stay	1
17	B101 3360	Toner Outlet Sub-unit:BK:Sub-ass'y	1
18	B101 3562	Cover:Connecting:Bk:Ass'y	1

Index No.	Part No.	Description	Q'ty Per Assembly
101	0451 3008B	Tapping Screw - M3x8	
102	0451 3006B	Tapping Screw - M3x6	

## 27. Drive Section 1 (G080)

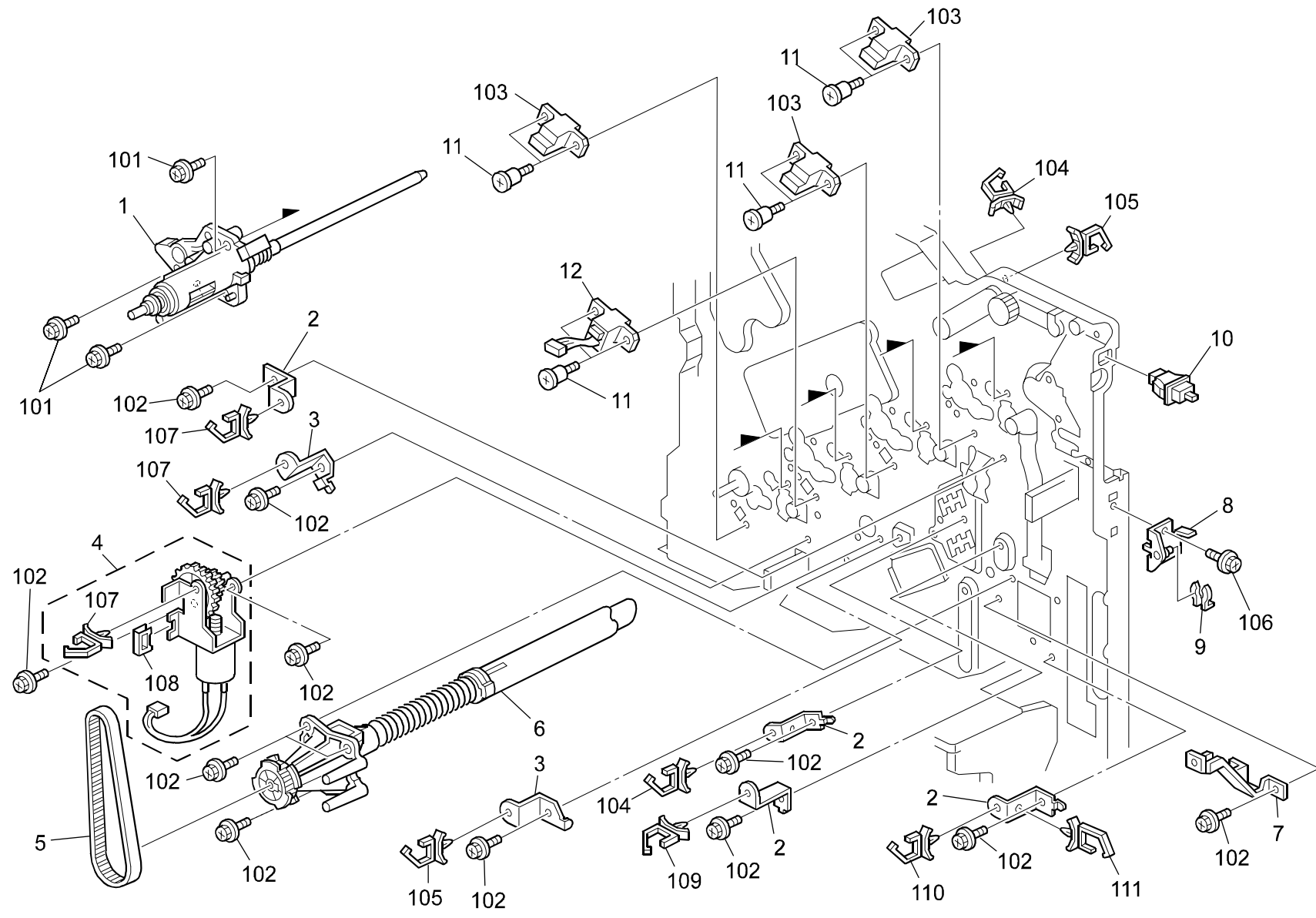


## 27. Drive Section 1 (G080)

Index No.	Part No.	Description	Q'ty Per Assembly
1	G060 1120	Drive Unit - C/M/Y Development	1
2	AA08 0257	Bushing - M6	4
3	G077 1100	Drive Unit - K Development	1
4	G060 1199	Inner PCU Duct	1
5	G080 1159	Shielding Plate:Gear:Drum	1
6	G080 1166	Holder:Positioning Sensor:Gear:Drum	2
7	AW02 0120	Photointerruptor - Flat	2
8	G077 1117	Magnetic Clutch Holder	4
9	AA08 2101	Bushing - 6x10x6	4
10	AX20 0244	Magnetic Clutch - Development	4
11	G080 1115	Joint:Development:Sub-ass'y	4
12	G080 1169	Screw:M3	4
13	AB01 0121	Gear:Drum:Z303:M0.3	2
14	G080 1036	Gear:Drum:Ass'y	2
15	AB01 7633	Gear:Toner Recycling:Z105-t28	1
16	AB01 0122	Gear:Middle:Collar:Z140	1
17	G080 1168	Ground Plate:OPC Drum	4
18	G080 1154	Bracket:Drum:Drive:Peen	1
19	G080 1162	DC Motor: DC2.5V 6.5W	1
20	G080 1160	Stepper Motor:42:Black:Ass'y	1
21	AA13 2220	Spacer:Mm8.2:1mm	1

Index No.	Part No.	Description	Q'ty Per Assembly
101	0451 3006B	Tapping Screw - M3x6	
102	0450 3008B	Tapping Screw - M3x8	
103	0951 4008B	Philips Screw With Washer - M4x8	
104	0451 3005B	Tapping Screw - M3x5	
105	1105 0511	Harness Clamp - LWS-0306ZC	
106	1105 0522	Edge Saddle - Les0510	

## 28. Drive Section 2 (G080)



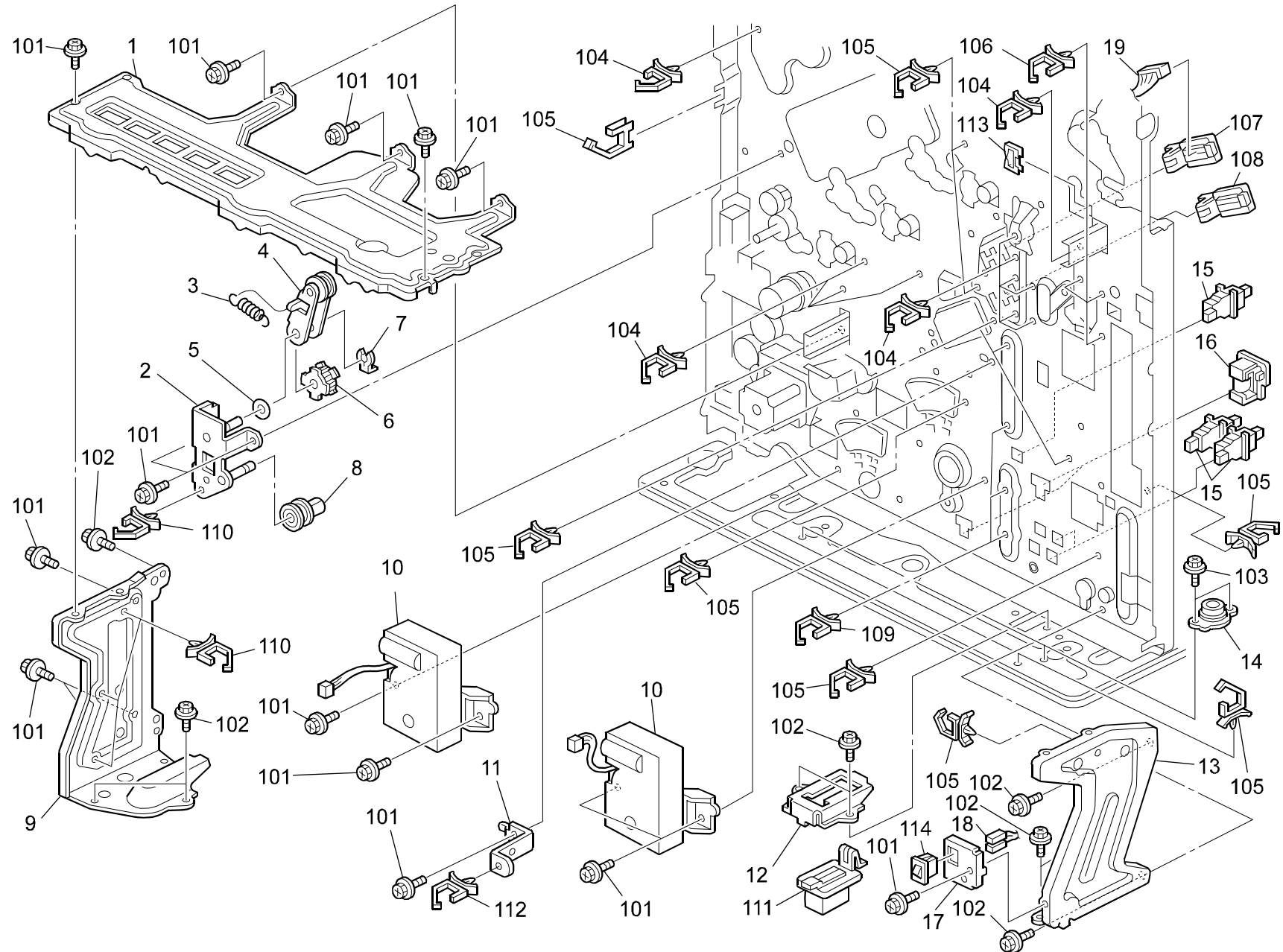
## 28. Drive Section 2 (G080)

Index No.	Part No.	Description	Q'ty Per Assembly
1	G080 1026	Holder:OPC Drum:Ass'y	4
2	G060 5870	Clamp - M4.8	4
3	G060 5871	Clamp - M3.5	2
4	G060 3706	DC Motor - 1.56W	1
5	AA04 3559	Timing Belt - S2M370	1
6	G080 3630	Joint:Collection Bottle:Ass'y	1
7	G080 5832	Stay:Auxiliary:DRB	1
8	G060 4855	Link Bracket	1
9	5447 2681	Snap Ring	1
10	AW50 0023	Push Switch	1
11	AA14 3219	Stepped Screw	8
12	G060 5530	Harness - Density Sensor	1

Index No.	Part No.	Description	Q'ty Per Assembly
101	0451 3008B	Tapping Screw - M3x8	
102	0451 3006B	Tapping Screw - M3x6	
103	1102 8519	Connector - MI2 99RH139-9236	
104	1105 0487	Harness Clamp	
105	1105 0516	Clamp	
106	0451 3006H	Tapping Screw - 3x6	
107	1105 0511	Harness Clamp - LWS-0306ZC	
108	1105 0522	Edge Saddle - LES0510	
109	1105 0488	Harness Clamp	
110	1105 0489	Harness Clamp - LWS 1316	
111	1105 0490	Harness Clamp - LWS 2218	



## 29. Drive Section 3 (G080)

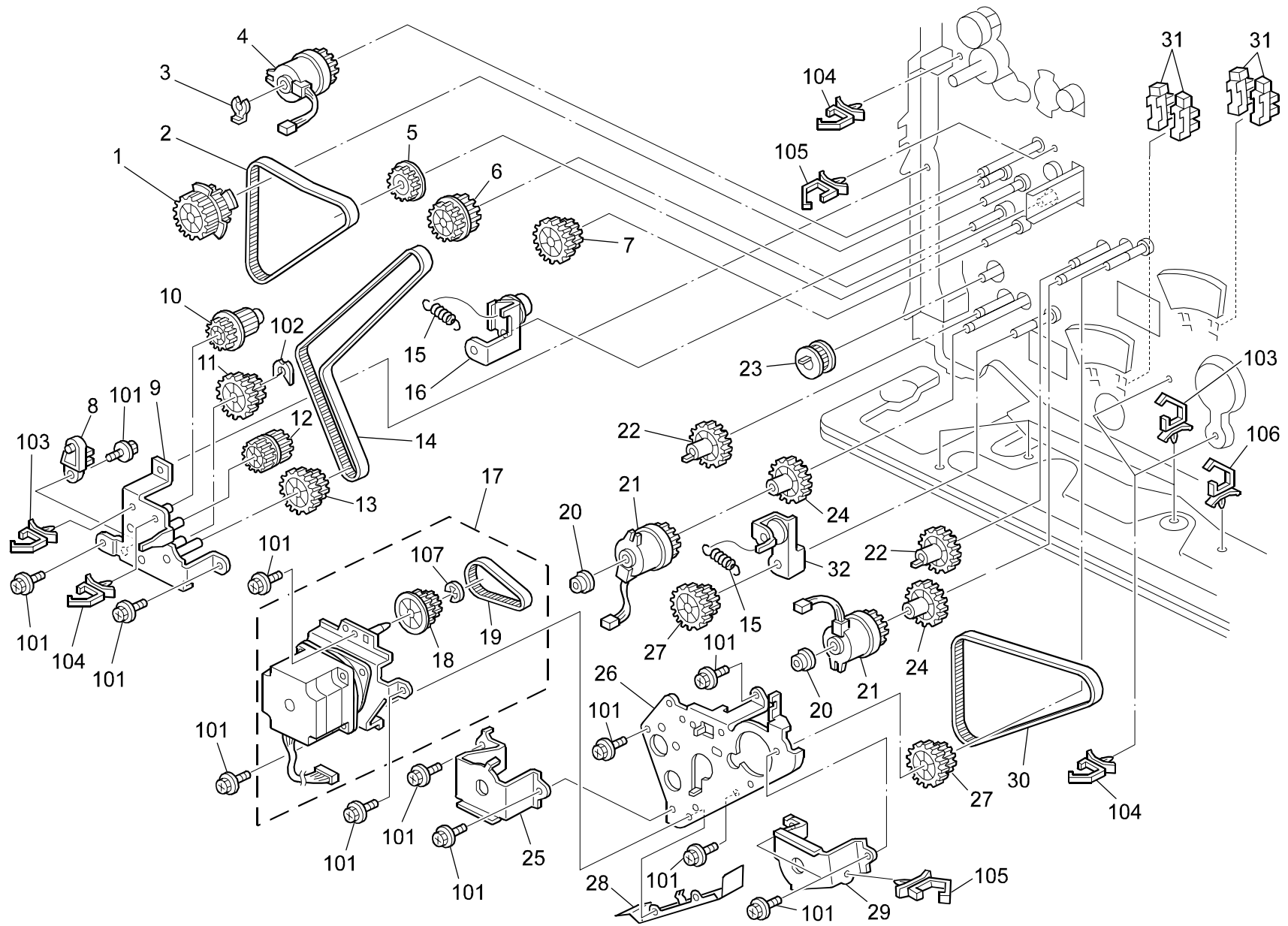


## 29.Drive Section 3 (G080)

Index No.	Part No.	Description	Q'ty Per Assembly
1	G060 1087	Rack Holder	1
2	G060 1111	Relay Bracket	1
3	AA06 0862	Tension Spring	1
4	G060 1106	Registration Tightner	1
5	H072 2236	Spacer - M12x6.2	1
6	AB03 0686	Registration Timing Pulley	1
7	5447 2681	Snap Ring	1
8	AB03 0685	Idle Pulley - M15	1
9	G060 1085	Rear Right Channel	1
10	G060 2800	DC Motor - DC24V 0.5W	2
11	G060 5870	Clamp - M4.8	1
12	G060 1053	Drawer Bracket - Paper Feed Table	1
13	G060 1083	Rear Left Channel	1
14	G060 1054	Holder:Guide Pin:Paper Feed Table	2
15	AW50 0023	Push Switch	5
16	G060 2801	Holder - Paper Tray	2
17	G080 5816	Bracket:Switch:Heater	1
18	G080 5519	Harness:Dehumidifier	1
19	G080 5497	Harness:Transfer:Machine Or Copier	1

Index No.	Part No.	Description	Q'ty Per Assembly
101	0451 3006B	Tapping Screw - M3x6	
102	0802 5291	Tapping Screw:Round Point:M3x6	
103	0802 5292	Tapping Screw:Round Point:M3x8	
104	1105 0511	Harness Clamp - LWS-0306ZC	
105	1105 0487	Harness Clamp	
106	1105 0490	Harness Clamp - IWS-2218	
107	1102 8535	Connector - QR/P17-14P-A	
108	1102 9386	Connector:Drawer:55949-2631	
109	1105 0489	Harness Clamp - LWS 1316	
110	1105 0488	Harness Clamp	
111	1102 8534	Connector - QR/P17-14S-B	
112	1105 0516	Clamp	
113	1105 0522	Edge Saddle - Les0510	
114	1204 2623	Rocker Switch:AJ7100B	

### 30. Drive Section 4 (G080)

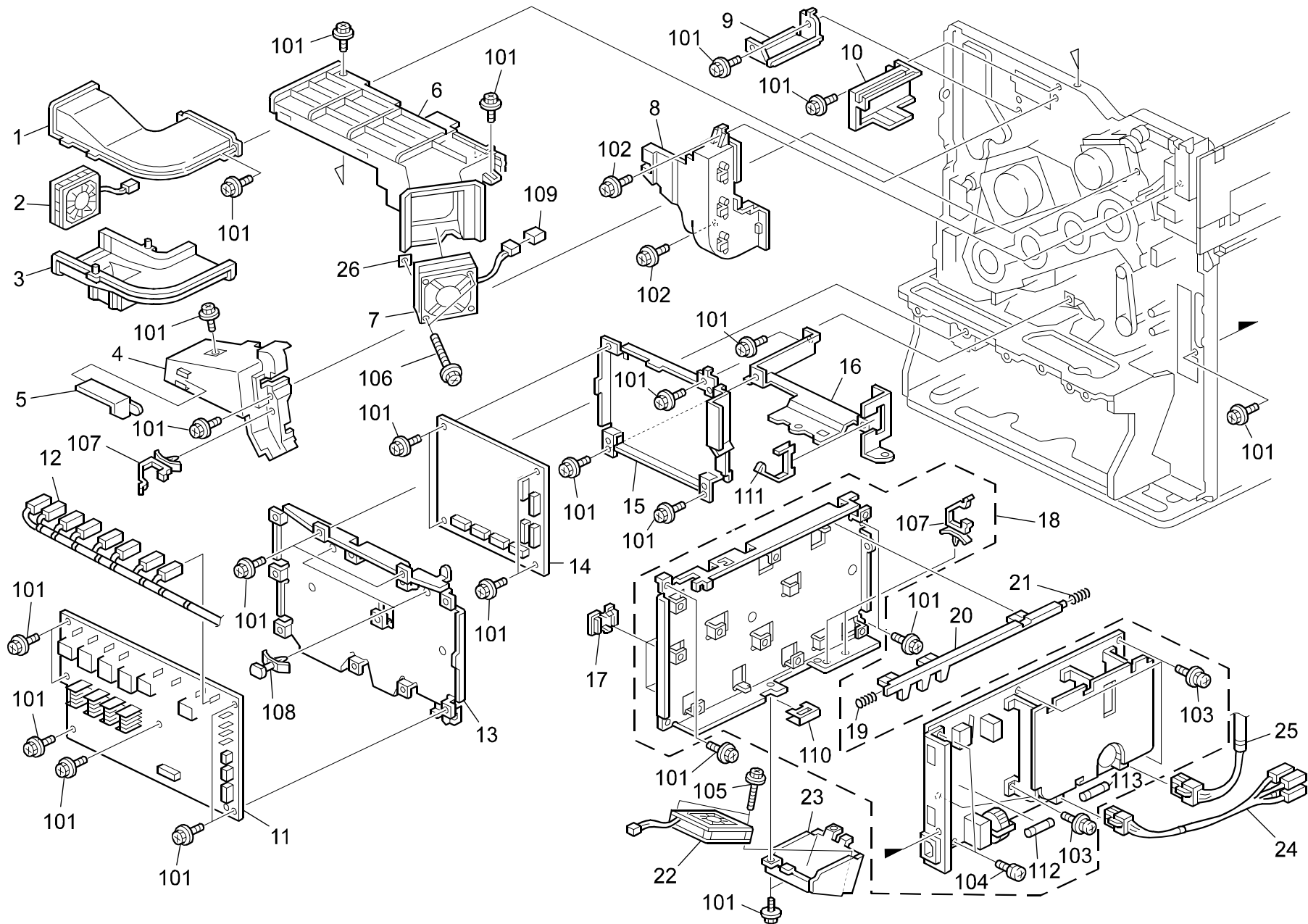


### 30.Drive Section 4 (G080)

Index No.	Part No.	Description	Q'ty Per Assembly
1	AB01 7641	Gear - Z28/T35	1
2	AA04 3561	Timing Belt - 40S3M318	1
3	AA10 0013	Snap Ring M6	1
4	AX20 0220	Magnetic Clutch - Registration	1
5	AB03 0690	Timing Pulley - T20	1
6	AB01 7543	Gear - Z25/T26	1
7	AB01 7545	Gear - Z28/Z21	1
8	G080 1161	Positioning Plate:Shaft:Drive:Manual Feed	1
9	G080 1109	Bracket:Drive:Manual Feed:Peen	1
10	AB01 7635	Gear - Z15/Z17	1
11	AB01 7540	Gear - Z28/Z29	1
12	AB01 1241	Gear - Z15	1
13	AB01 7634	Gear - Z18/Z29	1
14	AA04 3925	Timing Belt - S2M668	1
15	AA06 0863	Tension Spring	2
16	G077 1173	Tightener - Paper Feed 1	1
17	G080 1170	Drive Unit:Stepper Motor:Paper Feed:Ass'y	1
18	AB01 7542	Gear - 15Z/30Z	1
19	AA04 3563	Timing Belt - 40S3M162	1
20	AA08 2102	Bushing - 6x10x6	2
21	AX20 0221	Magnetic Clutch - Paper Feed	2
22	AB01 4038	Gear - 22Z	2
23	AB03 0710	Timing Pulley - 20T	1
24	AB01 4037	Gear - 24Z	2
25	G060 1177	Bracket - Magnetic Clutch 2	1
26	G077 1171	Bracket:Paper Feed:Drive	1
27	AB01 7544	Gear - Z25/T20	2
28	G060 1169	Separation Plate - Paper Feed Drive	1
29	G060 1176	Bracket - Magnetic Clutch 1	1
30	AA04 3562	Timing Belt - 40S3M384	1
31	AW02 0120	Photointerruptor - Flat	4
32	G060 1174	Tightener - Paper Feed	1

Index No.	Part No.	Description	Q'ty Per Assembly
101	0451 3006B	Tapping Screw - M3x6	
102	0805 0089	Retaining Ring - M4	
103	1105 0488	Harness Clamp	
104	1105 0511	Harness Clamp - LWS-0306ZC	
105	1105 0487	Harness Clamp	
106	1105 0489	Harness Clamp - LWS 1316	
107	0720 0040E	Retaining Ring - M4	

# 31.Electrical Section 1 (G080)



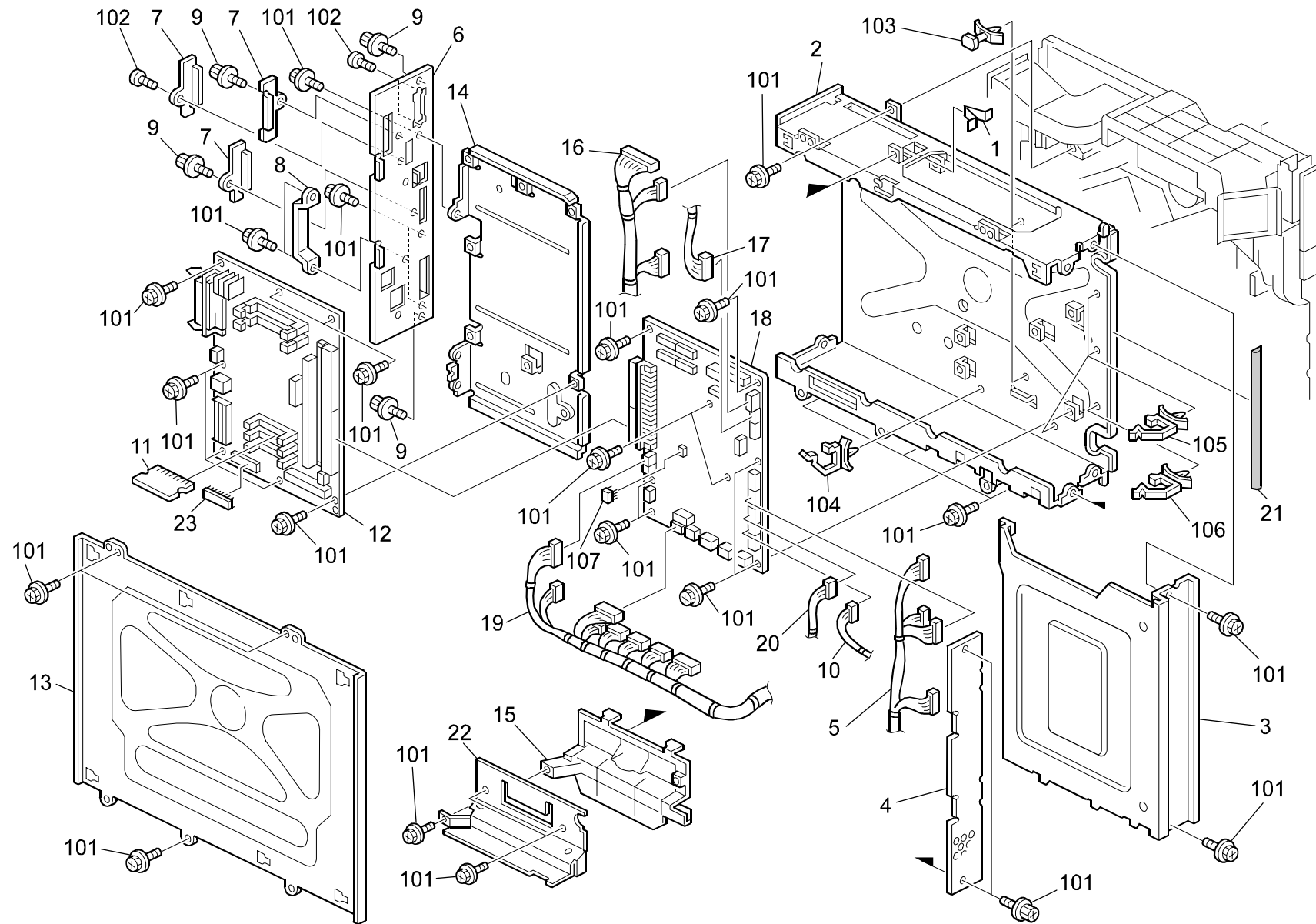
### 31.Electrical Section 1 (G080)

Index No.	Part No.	Description	Q'ty Per Assembly
1	G060 1555	Upper Controller Duct	1
2	AX64 0123	Fan Motor - DC1.68W	1
3	G077 1556	Lower Controller Duct	1
4	G080 1193	Duct:Guard:DC Motor	1
5	G077 1195	Duct - FFC Spacer	1
6	G080 1182	Duct:Fan:Mm80	1
7	AX64 0103	Fan Motor - DC2.4W	1
8	G077 1560	Duct:Power Supply Unit:Upper Position	1
9	G077 5820	Guide Plate - Upper Rack	1
10	G060 1192	Right Upper Rear Guide	1
11	GZ32 0009	Power Pack - CB	1
12	G080 5508	Harness:Power Pack:CB	1
13	G060 5816	Bracket - Power Pack	1
14	G080 5130	PCB:DRB	1
15	G080 5831	Bracket:DRB	1
16	G080 5833	Bracket:Edge Saddle:DRB	1
17	G060 5862	Cap - PSU	7
18	AZ23 0107	Power Supply Unit:J-P2:277W:DOM/NA	1
18	AZ23 0108	Power Supply Unit 277W:EU/AA/CHN	1
19	AA06 3613	Compression Spring	1
20	G060 5861	Inner Back Lever - Door Switch	1
21	AA06 3638	Compression Spring	1
22	AX64 0135	Cooling Fan - 24V	1
23	G060 5863	Bracket - PSU Fan	1
24	G080 5516	Harness:AC:Switch	1
25	G080 5513	Harness:Fusing:Machine Or Copier:AC	1
26	G077 1183	Plate Nut:M3	1

Index No.	Part No.	Description	Q'ty Per Assembly
101	0451 3006B	Tapping Screw - M3x6	
102	0802 5291	Tapping Screw:Round Point:M3x6	
103	0954 3008B	Philips Screw - M3x8	
104	0801 0150	Philips Screw - M4x8	
105	0802 5286	Tapping Screw	
106	0450 4035B	Philips Tapping Screw - M4x35	
107	1105 0511	Harness Clamp - LWS-0306ZC	
108	1105 0367	Spacer	
109	1102 6246	Relay Connector - 4P	
110	1105 0522	Edge Saddle - Les0510	
111	1105 0544	Edge Saddle:Les-2017	
112	1107 0629	Fuse (Ceramic Case) - 15A - 125V	
113	1107 0908	Fuse - 10A 125V	
113	1107 0879	Fuse - 5A 250V (230V)	



## 32.Electrical Section 2 (G080)



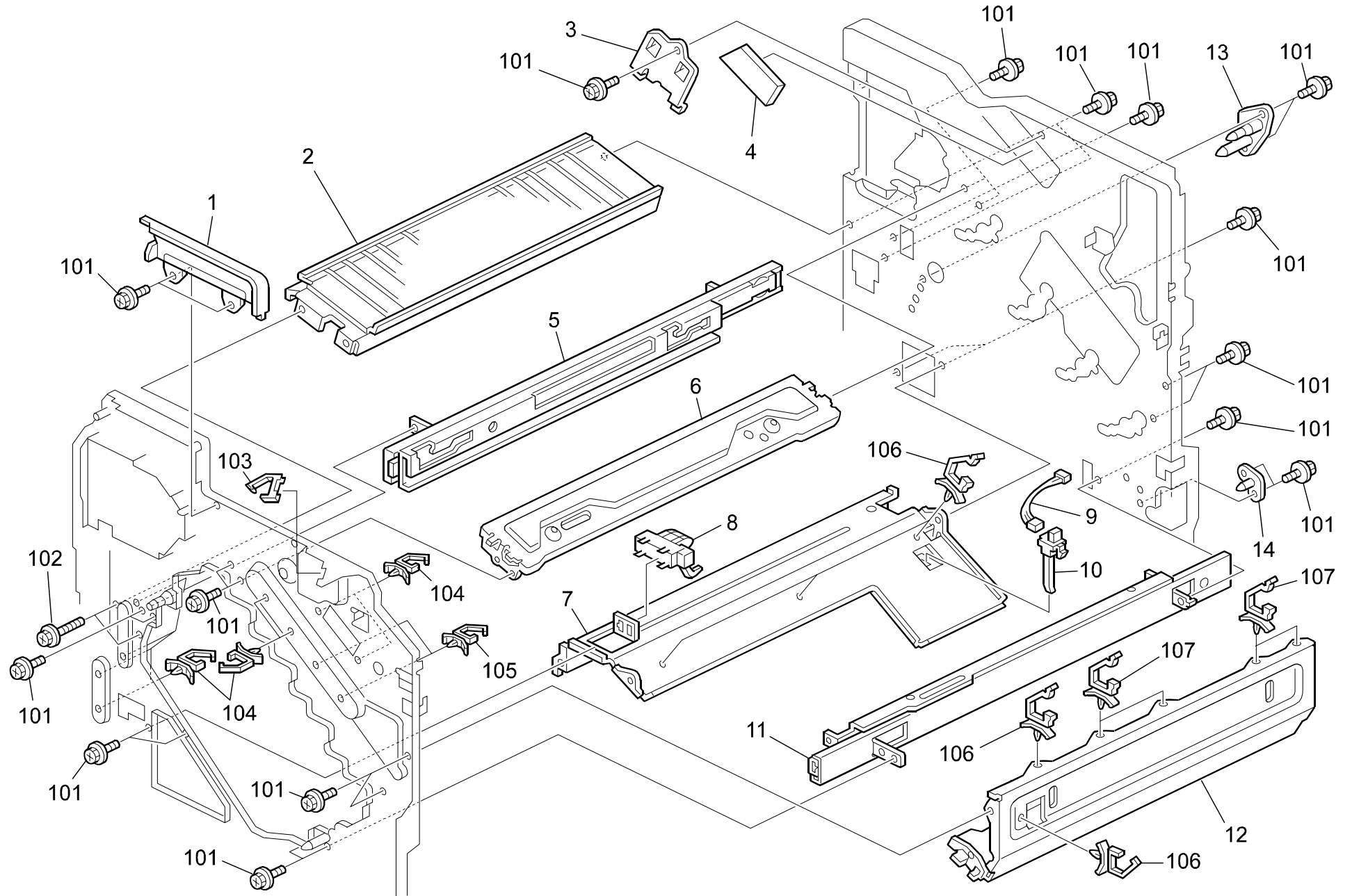
### 32.Electrical Section 2 (G080)

Index No.	Part No.	Description	Q'ty Per Assembly
1	G060 5829	Upper Spring Plate - Rack	1
2	G077 5841	Application Rack Assy	1
3	G077 5848	Bracket - Harness	1
4	G060 5849	Left Rear Cover	1
5	G080 5451	Harness:Main:Middle	1
6	G080 5852	Panel:Control Board	1
7	G060 5854	Panel Cover - Option	3
8	G060 5853	Grip - Application	1
9	G034 2993	Flanged Hexagonal Head Bolt - M3x6	4
10	G080 5455	Harness:Fusing:Machine Or Copier:Dc	1
11	G080 6120	PCB:J-P2:ROMDIMM:EXP:Ass'y	1
12	G080 5700	PCB:CTL:J-P2	1
13	G060 5847	Rack - Inner Back Application	1
14	G060 5856	Bracket - Controller Board	1
15	G077 1193	Cover:Duct:Fan:Ass'y	1
16	G080 5454	Harness:Power Supply Unit	1
17	G080 5457	Harness:DRB	1
18	G080 5053	PCB:J-BCU:P2:Service	1
19	G080 5450	Harness:Main:Lower	1
20	G080 5456	Harness:Main:Left	1
21	G080 5844	Gasket:Rack:Front	1
22	G080 1195	Shadeing Plate:Cover:Duct:Peen	1
23	G060 9099	Total Counter-RAM-STK12C68-P55	1

Index No.	Part No.	Description	Q'ty Per Assembly
101	0451 3006B	Tapping Screw - M3x6	
102	0353 0060B	Philips Pan Head Screw - M3x6	
103	1105 0367	Spacer	
104	1105 0487	Harness Clamp	
105	1105 0489	Harness Clamp - LWS 1316	
106	1105 0490	Harness Clamp - IWS-2218	
107	1407 5751	IC - NVRAM I2C BUS 64K DIP	



### 33.Frame Section 1 (G080)

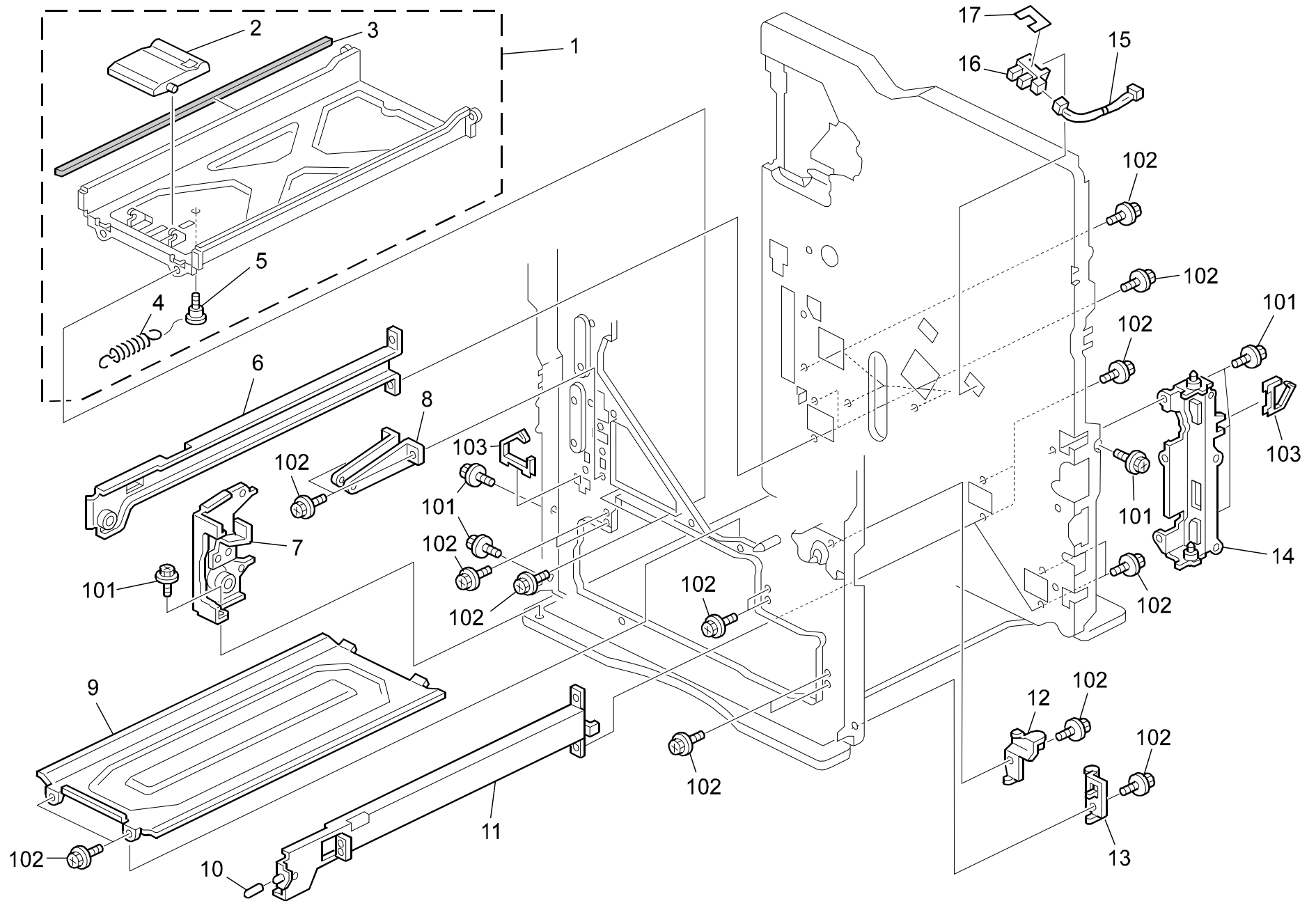


### 33.Frame Section 1 (G080)

Index No.	Part No.	Description	Q'ty Per Assembly
1	G080 1460	Guide Plate:Operation Panel	1
2	G060 4820	Relay Guide Plate	1
3	G060 5899	FFC Harness Plate	1
4	G060 5898	FCC Harness Cushion	1
5	AA07 1009	Slide Rail:Left:Ass'y	1
6	G060 1068	Left Guide Plate - Imaging Uni	1
7	G060 3623	Collection Bottle Bracket	1
8	AW02 0121	Photointerruptor - Square	1
9	G080 5493	Harness:Set Sensor:Bottle	1
10	AW50 0025	Set Sensor - Collection Bottle	1
11	AA07 1010	Slide Rail:Right:Ass'y	1
12	G060 1070	Right Guide Plate - Imaging Unit	1
13	G060 4860	Duplex Left Bracket	1
14	G060 4865	Duplex Right Bracket	1

Index No.	Part No.	Description	Q'ty Per Assembly
101	0451 3006B	Tapping Screw - M3x6	
102	0451 3010B	Tapping Screw - M3x10	
103	1105 0522	Edge Saddle - Les0510	
104	1105 0487	Harness Clamp	
105	1105 0489	Harness Clamp - LWS 1316	
106	1105 0511	Harness Clamp - LWS-0306ZC	
107	1105 0488	Harness Clamp	

### 34.Frame Section 2 (G080)

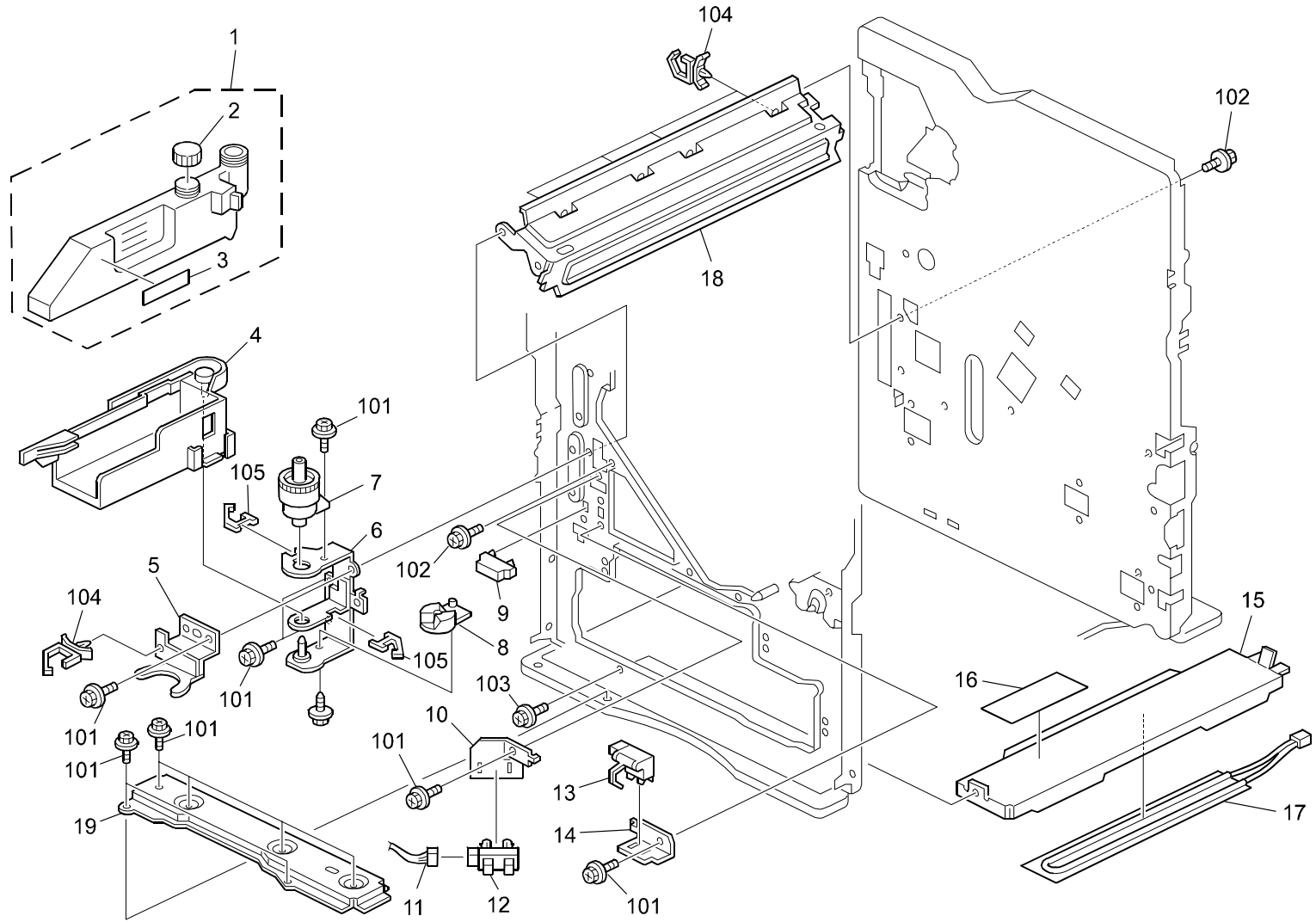


### 34.Frame Section 2 (G080)

Index No.	Part No.	Description	Q'ty Per Assembly
1	G060 1079	Holder - Used Collection Bottle	1
2	G060 3627	Toner Bottle Sensor Feeler	1
3	G060 3629	Shield:Holder:Collection Bottle	1
4	G060 3626	Used Toner Sensor Spring	1
5	G012 4617	Stepped Screw - M3	1
6	G060 2779	Left Supporter	1
7	G060 1089	Front Left Supporting Plate	1
8	G060 1277	Bracket - Front Cover Hinge	1
9	G060 1081	Shielding Plate - Paper Feed	1
10	B004 2995	Cap - Positioning	1
11	G060 2780	Supporter:Right:Ass'y	1
12	G060 2830	Upper Positioning Plate	1
13	G060 2834	Lower Positioning Plate	1
14	G060 1095	Vertical Transport Hinge	1
15	G080 5491	Harness:Sensor:On-off	1
16	AW02 0120	Photointerruptor - Flat	1
17	G060 3998	Seal - Sensor	1

Index No.	Part No.	Description	Q'ty Per Assembly
101	0802 5291	Tapping Screw:Round Point:M3x6	
102	0451 3006B	Tapping Screw - M3x6	
103	1105 0522	Edge Saddle - Les0510	

### 35.Frame Section 3 (G080)



### 35.Frame Section 3 (G080)

Index No.	Part No.	Description	Q'ty Per Assembly
1	G080 4358	Oil Tank:Collect:Ass'y	1
2	B051 4361	Cap - Oil Tank Assembly	1
3	G047 4665	Decal: Bottle:Fusing	1
4	G080 4359	Holder:Oil Tank:Ass'y	1
5	G080 4394	Holder:Oil Tank:Ass'y	1
6	G080 4360	Bracket:Contact Point:Oil Collection Unit:Ass	1
7	G080 4370	Valve:Oil:Collect:Machine Or Copier:Ass'y	1
8	G080 4363	Cam:Contact Point	1
9	AG07 1011	Magnet Catch	1
10	G080 4380	Bracket:Sensor	1
11	G080 5505	Harness:Oil:Full	1
12	G024 4740	Oil End Sensor	1
13	AW02 0136	Photointerruptor:Set Sensor	1
14	G080 4384	Bracket:Set Sensor:Oil Tank	1
15	G080 5815	Heat Cover	1
16	AA00 0401	Decal - High Temperature	1
17	AX40 0109	Heater - 120V 9W	1
17	AX40 0110	Heater - 230V 9W	1
18	G080 1082	Guide Plate:Transport Unit	1
19	G060 1099	Supporting Plate:Front Lower	1

Index No.	Part No.	Description	Q'ty Per Assembly
101	0802 5291	Tapping Screw:Round Point:M3x6	
102	0451 3006B	Tapping Screw - M3x6	
103	0451 4006B	Tapping Screw - 4x6	
104	1105 0511	Harness Clamp - LWS-0306ZC	
105	1105 0522	Edge Saddle - Les0510	

## 36.Printer Control Board (G080)

### CAPACITOR

SYMBOL NO.	INDEX NO.	SYMBOL NO.	INDEX NO.	SYMBOL NO.	INDEX NO.	SYMBOL NO.	INDEX NO.	SYMBOL NO.	INDEX NO.	SYMBOL NO.	INDEX NO.	SYMBOL NO.	INDEX NO.
C1	206	C11	206	C21	152	C31	206	C41	206	C51	206	C61	206
C2	206	---	---	C22	197	C32	204	C42	200	C52	206	C62	200
C3	200	---	---	---	---	C33	206	C43	204	C53	151	C63	206
C4	206	C14	206	C24	206	C34	206	C44	200	C54	204	C64	204
C5	200	C15	206	C25	206	C35	206	C45	206	C55	206	C65	200
C6	168	---	---	C26	206	C36	169	C46	204	C56	206	C66	206
C7	200	C17	153	C27	206	C37	168	C47	204	C57	206	C67	159
C8	200	C18	206	C28	151	C38	169	C48	206	C58	206	C68	206
C9	206	C19	206	C29	200	C39	206	C49	206	C59	200	C69	204
C10	204	C20	206	C30	204	C40	206	C50	206	C60	204	---	---

### CAPACITOR

SYMBOL NO.	INDEX NO.	SYMBOL NO.	INDEX NO.	SYMBOL NO.	INDEX NO.	SYMBOL NO.	INDEX NO.	SYMBOL NO.	INDEX NO.	SYMBOL NO.	INDEX NO.	SYMBOL NO.	INDEX NO.
C71	206	C81	204	C91	206	C101	201	C111	204	C121	206	C131	206
C72	206	C82	202	C92	204	C102	202	C112	204	C122	206	C132	206
C73	206	C83	201	C93	168	C103	204	C113	204	C123	205	C133	204
C74	206	---	---	C94	206	C104	159	C114	204	C124	205	C134	204
C75	206	---	---	C95	206	---	---	C115	204	C125	205	C135	159
---	---	---	---	C96	169	C106	151	C116	204	C126	205	C136	206
---	---	---	---	---	---	C107	206	C117	206	C127	204	C137	205
---	---	---	---	---	---	C108	206	C118	156	C128	204	C138	205
C79	206	---	---	C99	158	C109	204	C119	206	C129	206	C139	206
C80	159	---	---	C100	158	C110	204	C120	159	C130	206	C140	204

## 36.Printer Control Board (G080)

### CAPACITOR

SYMBOL NO.	INDEX NO.	SYMBOL NO.	INDEX NO.	SYMBOL NO.	INDEX NO.	SYMBOL NO.	INDEX NO.	SYMBOL NO.	INDEX NO.	SYMBOL NO.	INDEX NO.	SYMBOL NO.	INDEX NO.
C141	205	C151	204	C161	155	C171	204	C181	206	C191	204	C201	205
C142	205	C152	206	C162	205	C172	204	C182	200	C192	205	C202	204
C143	205	C153	206	C163	204	C173	204	C183	204	C193	155	C203	206
C144	206	C154	206	C164	200	C174	206	C184	206	C194	155	C204	204
C145	204	C155	204	C165	155	C175	204	C185	200	C195	200	C205	205
C146	206	C156	206	C166	204	C176	204	C186	155	C196	206	C206	206
C147	204	C157	204	C167	200	C177	204	C187	204	C197	204	C207	204
C148	206	C158	206	C168	205	C178	206	C188	200	C198	155	C208	206
C149	204	C159	204	C169	206	C179	206	C189	205	C199	205	C209	206
C150	206	C160	206	C170	206	C180	159	C190	206	C200	200	C210	204

### CAPACITOR

SYMBOL NO.	INDEX NO.	SYMBOL NO.	INDEX NO.	SYMBOL NO.	INDEX NO.	SYMBOL NO.	INDEX NO.	SYMBOL NO.	INDEX NO.	SYMBOL NO.	INDEX NO.	SYMBOL NO.	INDEX NO.
C211	206	---	---	C231	204	C241	155	C251	204	C261	204	C271	204
C212	206	C222	206	C232	206	C242	205	C252	155	C262	200	C272	205
C213	155	C223	206	C233	206	C243	204	C253	155	C263	155	C273	155
C214	205	C224	204	C234	204	C244	200	C254	200	C264	155	C274	200
C215	204	---	---	C235	204	C245	206	C255	204	C265	205	C275	206
C216	157	C226	204	C236	206	C246	204	C256	205	C266	200	C276	206
C217	155	C227	204	C237	159	C247	155	C257	200	C267	205	C277	206
C218	206	C228	206	C238	206	C248	205	C258	206	C268	204	C278	206
C219	200	C229	206	C239	206	C249	205	C259	204	C269	155	C279	206
C220	155	C230	204	C240	200	C250	206	C260	205	C270	200	C280	206



## 36.Printer Control Board (G080)

### CAPACITOR

SYMBOL NO.	INDEX NO.
C281	206
---	---
C283	206
---	---
---	---
---	---
C288	159
C289	154
C290	152

SYMBOL NO.	INDEX NO.
C291	206
C292	206
C293	206
C294	206
C295	204
C296	206
C297	206
C298	204
C299	204
C300	204

SYMBOL NO.	INDEX NO.
C301	204
C302	204
C303	206
C304	204
C305	206
C306	198
C307	206
C308	204
C309	199
C310	199

SYMBOL NO.	INDEX NO.
---	---
---	---
---	---
---	---
---	---
---	---
---	---
---	---
---	---
C900	206

SYMBOL NO.	INDEX NO.
---	---
C902	161
C903	204
C904	160
C905	203
C906	205
C907	161
C908	204
C909	160
---	---

SYMBOL NO.	INDEX NO.
C910	203
C911	205
C912	205
C913	205
C914	205
C915	205

### CONNECTOR

SYMBOL NO.	INDEX NO.
CN1	111
CN2	112
CN3	108
CN4	106
CN5	110
CN6	110
CN7	107
CN8	107
CN9	107
CN10	105

SYMBOL NO.	INDEX NO.
CN11	101
CN12	103
CN13	113
CN14	109
CN15	104
CN16	102

### DIODE

SYMBOL NO.	INDEX NO.
D1	121
D2	121
D3	121
D4	120

### FILTER

SYMBOL NO.	INDEX NO.
FIL1	164
FIL2	164
FIL3	164
FIL4	164
---	---
FIL6	164
FIL7	164
FIL8	164
---	---
---	---

SYMBOL NO.	INDEX NO.
---	---
---	---
FIL13	164
FIL14	162
FIL15	162
FIL16	167
---	---
---	---
---	---
FIL100	164

### FUSE

SYMBOL NO.	INDEX NO.
FIL101	164

SYMBOL NO.	INDEX NO.
FU1	116

## 36.Printer Control Board (G080)

### IC

SYMBOL NO.	INDEX NO.
---	---
---	---
IC3	132
---	---
IC5	137
---	---
IC6	135
---	---
---	---
IC9	115
IC10	127

SYMBOL NO.	INDEX NO.
IC11	2
---	---
---	---
---	---
---	---
IC16	122
IC17	134
---	---
IC19	123
IC20	124

SYMBOL NO.	INDEX NO.
IC21	123
---	---
---	---
---	---
---	---
---	---
IC27	126
---	---
IC29	130
IC30	128

SYMBOL NO.	INDEX NO.
---	---
IC32	138
IC33	114
IC33	129
---	---
---	---
---	---
IC37	133
IC38	125
IC39	125

SYMBOL NO.	INDEX NO.
IC40	125
IC41	125
IC42	125
IC43	131
---	---
IC45	134
IC46	136

### JP

SYMBOL NO.	INDEX NO.
JP1	166
JP2	166
---	---
---	---
---	---
JP6	166
---	---
JP8	166
JP9	166
JP10	166

### LED

SYMBOL NO.	INDEX NO.
JP11	166
JP12	166
---	---
JP14	166
JP15	166
---	---
JP16	166
JP17	166
JP18	166
JP19	166
---	---

### JP

SYMBOL NO.	INDEX NO.
JP21	167
JP22	167

### OSC

SYMBOL NO.	INDEX NO.
OSC1	141
OSC2	142

### RESISTOR

SYMBOL NO.	INDEX NO.
R1	187
R2	177
R3	187
R4	187
R5	187
---	---
---	---
---	---
---	---
R10	175

SYMBOL NO.	INDEX NO.
R11	175
R12	175
R13	175
R14	175
R15	175
---	---
R16	175
R17	175
R18	175
R19	175
R20	175

SYMBOL NO.	INDEX NO.
R21	175
R22	170
R23	171
R24	171
R25	170
---	---
R26	165
R27	195
R28	182
R29	182
R30	182

SYMBOL NO.	INDEX NO.
R31	182
R32	182
R33	182
R34	177
R35	185
---	---
R36	185
R37	185
R38	185
R39	185
R40	196

SYMBOL NO.	INDEX NO.
R41	191
R42	191
R43	180
R44	180
R45	180
---	---
R46	180
R47	180
R48	180
R49	180
R50	180

### Q

SYMBOL NO.	INDEX NO.
Q1	119

## 36.Printer Control Board (G080)

### RESISTOR

SYMBOL NO.	INDEX NO.	SYMBOL NO.	INDEX NO.	SYMBOL NO.	INDEX NO.	SYMBOL NO.	INDEX NO.	SYMBOL NO.	INDEX NO.	SYMBOL NO.	INDEX NO.	SYMBOL NO.	INDEX NO.
R51	180	R61	180	R71	180	R81	182	R91	182	R101	180	R111	186
R52	180	R62	180	R72	180	R82	182	R92	180	---	---	R112	182
R53	180	R63	180	R73	180	R83	182	R93	180	---	---	R113	182
R54	182	R64	180	R74	180	R84	182	R94	180	R104	182	R114	174
R55	182	R65	180	R75	180	R85	182	R95	175	---	---	R115	175
R56	182	R66	180	R76	180	R86	182	R96	182	R106	182	---	---
R57	182	R67	180	R77	180	R87	182	R97	184	R107	177	---	---
R58	192	R68	180	R78	180	R88	182	R98	184	R108	182	R118	183
R59	192	R69	180	R79	180	R89	182	R99	184	R109	177	R119	183
R60	182	R70	180	R80	182	R90	182	R100	182	R110	182	R120	183

### RESISTOR

SYMBOL NO.	INDEX NO.	SYMBOL NO.	INDEX NO.	SYMBOL NO.	INDEX NO.	SYMBOL NO.	INDEX NO.	SYMBOL NO.	INDEX NO.	SYMBOL NO.	INDEX NO.	SYMBOL NO.	INDEX NO.
R121	175	R131	178	---	---	R151	176	R161	184	R171	177	---	---
---	---	R132	184	---	---	---	---	R162	184	R172	182	---	---
R123	187	R133	184	R143	183	---	---	R163	184	R173	175	---	---
---	---	R134	184	R144	187	R154	175	R164	184	R174	182	R184	173
R125	176	R135	184	---	---	R155	178	R165	184	R175	175	R185	187
R126	178	R136	184	R146	175	---	---	R166	184	R176	182	R186	175
R127	178	R137	177	R147	183	R157	175	R167	184	R177	175	R187	181
R128	178	R138	182	---	---	R158	184	R168	184	R178	182	R188	175
R129	178	---	---	R149	176	R159	184	R169	187	R179	175	R189	175
R130	178	---	---	R150	183	R160	184	R170	175	---	---	R190	184

## 36.Printer Control Board (G080)

### RESISTOR

SYMBOL NO.	INDEX NO.	SYMBOL NO.	INDEX NO.	SYMBOL NO.	INDEX NO.	SYMBOL NO.	INDEX NO.	SYMBOL NO.	INDEX NO.	SYMBOL NO.	INDEX NO.	SYMBOL NO.	INDEX NO.
R191	187	R201	180	R211	180	R221	180	R231	175	R241	190	R251	193
R192	187	R202	180	R212	180	R222	180	R232	175	R242	180	R252	180
R193	184	R203	180	R213	180	R223	175	R233	175	---	---	---	---
R194	175	R204	184	R214	180	R224	175	R234	175	R244	175	R254	182
R195	180	R205	184	R215	180	R225	175	R235	180	R245	175	R255	182
R196	180	R206	182	R216	180	R226	175	R236	175	R246	189	R256	182
R197	180	R207	175	R217	180	R227	172	R237	175	R247	179	R257	182
R198	180	R208	175	R218	180	R228	172	R238	171	R248	188	R258	182
R199	180	R209	175	R219	180	R229	175	R239	171	---	---	R259	182
R200	180	R210	180	R220	180	R230	175	R240	190	R250	194	R260	182

### RESISTOR

SYMBOL NO.	INDEX NO.	SYMBOL NO.	INDEX NO.	SYMBOL NO.	INDEX NO.	SYMBOL NO.	INDEX NO.	SYMBOL NO.	INDEX NO.	SYMBOL NO.	INDEX NO.	SYMBOL NO.	INDEX NO.
R261	182	R271	180	R301	180	R901	175	R922	175	RN1	146	---	---
R262	182	R272	180	R302	180	R902	183	---	---	RN2	146	---	---
R263	182	R273	180	R303	182	---	---	---	---	---	---	---	---
R264	182	R274	180	R304	183	---	---	---	---	---	---	---	---
R265	182	R275	180	R305	183	R915	175	---	---	RN5	145	---	---
R266	182	---	---	R306	183	R916	175	---	---	---	---	---	---
R267	182	---	---	R307	183	R917	175	---	---	RN6	148	RN26	148
R268	182	---	---	R308	183	R918	175	---	---	RN7	148	RN27	145
R269	182	---	---	R309	188	R919	175	---	---	---	---	RN28	148
R270	182	R300	175	R310	187	R920	182	---	---	---	---	---	---
						R921	175	---	---	---	---	---	---

### SW

SYMBOL NO.	INDEX NO.
R922	175

### RN

SYMBOL NO.	INDEX NO.	SYMBOL NO.	INDEX NO.
RN1	146	---	---
RN2	146	---	---
---	---	---	---
---	---	---	---
RN5	145	---	---
---	---	---	---
RN6	148	---	---
RN7	148	---	---
---	---	---	---
---	---	---	---

### REG

SYMBOL NO.	INDEX NO.
REG1	139
REG2	1
REG2	140
REG3	139

### 36.Printer Control Board (G080)

#### RN

SYMBOL NO.	INDEX NO.	SYMBOL NO.	INDEX NO.	SYMBOL NO.	INDEX NO.	SYMBOL NO.	INDEX NO.	SYMBOL NO.	INDEX NO.	SYMBOL NO.	INDEX NO.	SYMBOL NO.	INDEX NO.
RN41	144	---	---	RN71	148	RN81	145	RN91	207	RN101	207	---	---
RN42	145	---	---	RN72	207	RN82	145	RN92	207	RN102	207	RN122	149
---	---	---	---	RN73	207	RN83	145	RN93	207	---	---	---	---
---	---	---	---	RN74	207	RN84	145	RN94	207	---	---	---	---
---	---	---	---	RN75	148	RN85	145	RN95	148	---	---	RN125	149
---	---	---	---	RN76	207	RN86	145	RN96	148	RN106	149	RN126	150
RN57	147	---	---	RN77	207	RN87	148	RN97	207	RN107	149	RN127	150
RN58	143	---	---	RN78	207	RN88	148	RN98	207	RN108	149	RN128	149
RN59	147	RN69	148	RN79	145	RN89	148	RN99	148	---	---	---	---
RN60	143	RN70	148	RN80	145	RN90	207	RN100	207	---	---	---	---

#### SW

SYMBOL NO.	INDEX NO.
SW1	117
SW2	118

#### T

SYMBOL NO.	INDEX NO.
T1	163

### 36.Printer Control Board (G080)

Index No.	Part No.	Description	Q'ty Per Assembly
*	G080 5700	PCB:CTL:J-P2	1
1	G060 5982	Heat Sink - PUG16	1
2	G081 5785	IC - COMIC	1

Index No.	Part No.	Description	Q'ty Per Assembly
101	1102 2391	Connector - HIF3FB-40PA-2.54DSA	
102	1102 4205	CT Header - 6P	
103	1102 5303	Connector - 4P	
104	1102 7615	Connector - B8B-XH-A	
105	1102 7785	Connector - 57RE40360830BD29B	
106	1102 8153	Connector - FCN-568P068-G/05A-V4	
107	1102 8355	Connector - DIMM - DMM2-SD72A-1131	
108	1102 8357	Connector - 52777-0809	
109	1102 8373	Connector - RJHS-5381	
110	1102 8516	Connector - DIMM-20-6403-144-121-856	
111	1102 8582	Connector - IMSA-9730B-200A-GF	
112	1102 8583	Connector - 440024-1	
113	1102 8584	Connector - 52777-0409	
114	1104 0511	IC Socket - 8p - DICF-8CS-E	
115	1104 0771	IC Socket - 28PIN	
116	1107 0555	Fuse - 4A	
117	1204 1385	Push Switch	
118	1204 2637	DIP Switch - 71D-04	
119	1400 0891	Transistor - RT1N136C	
120	1402 1336	Diode - 1SS355	
121	1402 1343	Diode - RB106L-40	
122	1407 2187	TTLIC - SN74LS07NS	
123	1407 4919	IC - 74VHCT244 TSSOP	
124	1407 5122	IC - CMOS LOGIC-TC74ACT374FT	
125	1407 5275	CMOS Logic - 74LVCHR16245A TSSOP	
126	1407 5281	IC - EEPROM-I2C BUS 1K SOP	
127	1407 5293	CMOS Logic - 74ALVCH16827 TSSOP	
128	1407 5300	CMOS Logic - 74LVC16244A TSSOP	
129	1407 5309	IC - MICROWIRE BUS 1K DIP	
130	1407 5320	CMOS Logic 74LVC374A TSSOP	
131	1407 5321	CMOS Logic - 74LVCH16374A TSSOP	
132	1407 5322	IC - CMOS LOGIC SN74LVC161284DGG	
133	1407 5329	Clock Generator - W211B	
134	1407 5334	IC - CMOS LOGIC 74LVC244A TSSOP	
135	1407 5674	IC - LVDS- DP83846AVHG	

Index No.	Part No.	Description	Q'ty Per Assembly
136	1407 5870	Clock Generator:IMIC5002BTB	
137	1407 5880	CPU:RM7000B-500T-REV1.0	
138	1408 0575	IC - M51957BFP	
139	1408 1507	Regulator - PQ05VY3H3Z	
140	1408 1561	Series Regulator - Q5ev3	
141	1503 0842	Oscillator - 14.31818MHZ	
142	1503 0959	Crystal Oscilator - 25MHZ	
143	1601 7752	Resistor Array - 10K $\Omega$ $\pm$ 5%	
144	1601 7833	Resistor Array -330 $\Omega$ $\pm$ 5% 1/16W	
145	1601 7867	Resistor - 33 $\Omega$ $\pm$ 5% 1/16W	
146	1601 7871	Resistor - 68 $\Omega$ $\pm$ 5% 1/16W	
147	1601 7872	Resistor Array - 220 $\Omega$ $\pm$ 5% 1/16W	
148	1601 7879	Resistor - 22 $\Omega$ $\pm$ 5% 1/16W	
149	1601 7915	Resistor Array - 33 $\Omega$ $\pm$ 5% 1/16W	
150	1601 7933	Resistor Array - 100 $\Omega$ $\pm$ 5% 1/16W	
151	1604 4333	Capacitor - 100 $\mu$ F $\pm$ 20% 10V	
152	1604 4365	Capacitor - 470 $\mu$ F16V $\pm$ 20%	
153	1605 1025	Capacitor - 1000pF $\pm$ 10% 2KV	
154	1605 1071	Capacitor - 1 $\mu$ F $\pm$ 10% 25V	
155	1605 1072	Capacitor - 4.7 $\mu$ F $\pm$ 10% 16V	
156	1605 1081	Capacitor - 10 $\mu$ F+80-20% 25V	
157	1605 1085	Ceramic Capacitor - 0.082 $\mu$ F $\pm$ 10% 1	
158	1605 1127	Capacitor - 8 $\pm$ 0.5pF 50V	
159	1605 1162	Capacitor - 10 $\mu$ F+80 -20% 10V	
160	1605 1212	Capacitor - 470pF $\pm$ 10% 50V	
161	1605 1295	Capacitor:10uf:+80-20%:10V	
162	1607 0824	Filter - BLM11A601SPB	
163	1607 0987	Inductor - TLA-6T103	
164	1607 1206	Filter - ACC2012L-250	
165	1610 1486	Resistor - 2K $\Omega$ $\pm$ 0.5% 1/16W	
166	1632 0000	Resistor - 0 $\Omega$ 1/8W	
167	1634 0000	Resistor - 0 $\Omega$ 1/16W	
168	1644 0470	Capacitor - 47 $\mu$ F $\pm$ 20% 10V	
169	1644 6101	Capacitor - 100 $\mu$ F $\pm$ 20% 6.3V	
170	1650 2271	Resistor - 270 $\Omega$ $\pm$ 5% 1/4W	

Index No.	Part No.	Description	Q'ty Per Assembly
171	1650 2750	Resistor - 75 $\Omega$ $\pm$ 5% 1/4W	
172	1650 3109	Resistor - 1 $\Omega$ $\pm$ 5% 1/8W	
173	1650 3271	Resistor - 270 $\Omega$ $\pm$ 5% 1/8W	
174	1650 3561	Resistor - 560 $\Omega$ $\pm$ 5% 1/8W	
175	1650 4103	Resistor - 10K $\Omega$ $\pm$ 5% 1/10W	
176	1650 4104	Resistor - 100K $\Omega$ $\pm$ 5%1/10W	
177	1650 4122	Resistor - 1.2K $\Omega$ $\pm$ 5% 1/10W	
178	1650 4150	Resistor - 15 $\Omega$ $\pm$ 5% 1/10W	
179	1650 4184	Resistor:180k $\Omega$ : $\pm$ 5%:1/10W	
180	1650 4220	Chip Resistor - 22 $\Omega$ $\pm$ 5% 1/10W	
181	1650 4222	Resistor - 2.2K $\Omega$ $\pm$ 5%1/10W	
182	1650 4330	Chip Resistor - 33 $\Omega$ $\pm$ 5% 1/10W	
183	1650 4470	Resistor - 47 $\Omega$ $\pm$ 5%1/10W	
184	1650 4472	Resistor - 4.7K $\Omega$ $\pm$ 5% 1/10W	
185	1650 4512	Resistor - 5.1K $\Omega$ $\pm$ 5%1/10W	
186	1650 4620	Resistor 62 $\Omega$ $\pm$ 5% 1/10W	
187	1650 4680	Resistor - 68 $\Omega$ $\pm$ 5%1/10W	
188	1650 4681	Resistor - 680 $\Omega$ $\pm$ 5% 1/10W	
189	1650 4753	Resistor - 75K $\Omega$ $\pm$ 5% 1/10W	
190	1652 4999	Resistor - 49.9 $\Omega$ $\pm$ 1% 1/4W	
191	1652 5499	Resistor - 54.9 $\Omega$ $\pm$ 1% 1/4W	
192	1654 1001	Resistor - 1K $\Omega$ $\pm$ 1%1/10W	
193	1654 1201	Resistor - 1.2K $\Omega$ $\pm$ 1% 1/10W	
194	1654 2001	Chip Resistor - 2k $\Omega$ $\pm$ 1% 1/10W	
195	1654 4220	Resistor - 422 $\Omega$ $\pm$ 1% 1/10W	
196	1654 9311	Resistor - 9.31K $\Omega$ $\pm$ 1% 1/10W	
197	1660 0100	Capacitor - 10PF $\pm$ 0.5pF 50V	
198	1660 2150	Capacitor - 15pF $\pm$ 5% 50V	
199	1660 2220	Capacitor - 22pF $\pm$ 20% 35V	
200	1660 2221	Capacitor - 220pF +80-20% 50V	
201	1660 2330	Capacitor - 33pF - $\pm$ 5% - 50V	
202	1660 2471	Capacitor - 470pF - $\pm$ 5% - 50V	
203	1660 3330	Capacitor - 33pF $\pm$ 5% 50V	
204	1660 4102	Capacitor - 1000pF $\pm$ 10% 50V	
205	1660 6103	Capacitor - 10000pF - +80%-20%50V	

Index No.	Part No.	Description	Q'ty Per Assembly
206	1660 8104	Capacitor - 0.1 $\mu$ F+80-20% 25V	
207	1601 7867	Resistor - 33 $\Omega$ $\pm$ 5% 1/16W	

Index No.	Part No.	Description	Q'ty Per Assembly



## 37.BCU Board (G080)

### CAPACITOR

SYMBOL NO.	INDEX NO.	SYMBOL NO.	INDEX NO.	SYMBOL NO.	INDEX NO.	SYMBOL NO.	INDEX NO.	SYMBOL NO.	INDEX NO.	SYMBOL NO.	INDEX NO.	SYMBOL NO.	INDEX NO.
C1	255	C11	247	C21	247	---	---	C41	191	C51	191	C61	247
C2	248	C12	247	C22	247	C32	247	C42	195	C52	247	C62	247
C3	248	C13	247	C23	247	C33	194	C43	248	---	---	C63	247
C4	188	C14	247	C24	247	C34	194	C44	248	C54	247	---	---
C5	247	C15	247	C25	247	C35	194	C45	245	C55	247	C65	247
---	---	C16	247	C26	247	C36	255	C46	247	C56	247	C66	247
C7	247	---	---	C27	247	C37	190	C47	247	C57	247	---	---
C8	247	C18	247	C28	247	C38	252	C48	247	C58	247	C68	247
C9	247	C19	247	C29	247	C39	191	C49	247	C59	247	C69	247
C10	247	---	---	C30	247	C40	191	C50	247	C60	247	C70	247

### CAPACITOR

SYMBOL NO.	INDEX NO.	SYMBOL NO.	INDEX NO.	SYMBOL NO.	INDEX NO.	SYMBOL NO.	INDEX NO.	SYMBOL NO.	INDEX NO.	SYMBOL NO.	INDEX NO.	SYMBOL NO.	INDEX NO.
C71	247	C81	247	C91	247	C101	255	C111	252	C121	255	---	---
C72	247	C82	247	C92	252	C102	246	C112	252	---	---	C132	255
C73	247	C83	247	C93	193	C103	247	C113	255	---	---	C133	193
C74	247	C84	247	C94	255	C104	255	C114	255	---	---	C134	252
C75	247	C85	247	C95	255	C105	255	C115	255	C125	255	C135	255
C76	247	C86	247	C96	252	C106	255	C116	252	C126	247	C136	252
C77	247	C87	247	C97	193	C107	255	C117	252	C127	247	C137	255
---	---	C88	247	C98	252	C108	252	C118	248	C128	246	C138	252
C79	247	C89	247	C99	255	C109	252	C119	255	C129	255	C139	255
C80	255	C90	247	C100	255	C110	252	C120	255	C130	255	C140	255

## 37.BCU Board (G080)

### CAPACITOR

SYMBOL NO.	INDEX NO.	SYMBOL NO.	INDEX NO.	SYMBOL NO.	INDEX NO.	SYMBOL NO.	INDEX NO.	SYMBOL NO.	INDEX NO.	SYMBOL NO.	INDEX NO.	SYMBOL NO.	INDEX NO.
C141	252	C151	243	C161	248	C171	249	C181	250	---	---	C201	252
C142	252	C152	196	C162	248	C172	198	C182	250	C192	252	C202	252
C143	252	C153	247	C163	255	C173	198	C183	250	C193	252	C203	252
C144	255	C154	247	C164	255	C174	255	C184	250	C194	252	C204	244
C145	255	C155	244	C165	255	C175	254	C185	197	C195	252	C205	252
C146	255	C156	246	C166	247	C176	255	C186	255	C196	252	C206	246
C147	255	C157	189	C167	255	C177	197	C187	255	C197	252	C207	247
C148	255	C158	192	C168	255	C178	255	C188	197	C198	252	C208	255
C149	252	C159	198	C169	247	C179	255	C189	255	C199	252	C209	255
C150	244	C160	198	C170	255	C180	197	C190	242	C200	252	C210	188

### CAPACITOR

SYMBOL NO.	INDEX NO.	SYMBOL NO.	INDEX NO.	SYMBOL NO.	INDEX NO.	SYMBOL NO.	INDEX NO.	SYMBOL NO.	INDEX NO.	SYMBOL NO.	INDEX NO.	SYMBOL NO.	INDEX NO.
C211	188	C221	248	C231	252	C241	252	C251	252	C261	252	C271	252
C212	255	C222	248	C232	252	C242	252	C252	252	C262	252	C272	252
C213	255	C223	255	C233	252	C243	252	C253	252	C263	255	C273	252
C214	255	C224	252	C234	252	C244	252	C254	252	C264	252	C274	252
C215	255	C225	252	C235	252	C245	252	C255	252	C265	255	C275	252
C216	188	C226	248	C236	252	C246	252	C256	252	C266	252	C276	252
C217	255	C227	248	C237	252	C247	252	C257	252	C267	255	C277	252
C218	251	C228	248	C238	252	C248	252	C258	252	C268	252	C278	252
C219	251	C229	252	C239	252	C249	252	C259	252	C269	252	C279	252
C220	193	C230	252	C240	252	C250	255	C260	252	C270	255	C280	252

## 37.BCU Board (G080)

### CAPACITOR

SYMBOL NO.	INDEX NO.	SYMBOL NO.	INDEX NO.	SYMBOL NO.	INDEX NO.	SYMBOL NO.	INDEX NO.	SYMBOL NO.	INDEX NO.	SYMBOL NO.	INDEX NO.	SYMBOL NO.	INDEX NO.
C281	252	C291	255	C301	255	C311	249	C321	255	---	---	C341	255
C282	252	C292	252	C302	255	C312	248	C322	255	C332	255	C342	252
C283	249	C293	252	C303	248	C313	248	C323	255	C333	252	C343	252
C284	255	C294	255	C304	255	C314	248	C324	255	C334	252	C344	252
C285	252	C295	252	C305	255	C315	248	C325	249	C335	252	C345	255
C286	252	C296	255	C306	255	C316	197	C326	248	C336	252	C346	247
C287	252	---	---	C307	249	C317	255	C327	255	C337	252	C347	255
C288	255	---	---	C308	255	C318	255	C328	255	C338	255	C348	253
C289	252	---	---	C309	249	C319	249	C329	255	C339	255	C349	252
C290	255	C300	255	C310	255	C320	249	---	---	C340	252	C350	252

### CAPACITOR

SYMBOL NO.	INDEX NO.	SYMBOL NO.	INDEX NO.	SYMBOL NO.	INDEX NO.	SYMBOL NO.	INDEX NO.	SYMBOL NO.	INDEX NO.	SYMBOL NO.	INDEX NO.	SYMBOL NO.	INDEX NO.
C351	252	C361	252	C371	252	CN101	117	CN201	110	CN211	106	CN221	103
C352	252	C362	252	C372	252	CN102	102	CN202	104	CN212	114	CN222	103
C353	255	C363	252	C373	252	---	---	CN203	106	CN213	107	CN223	103
C354	255	C364	252	C374	255	---	---	CN204	114	CN214	105	CN224	103
C355	249	C365	255	---	---	---	---	CN205	109	CN215	108	CN225	118
C356	249	C366	252	---	---	---	---	CN206	112	CN216	104		
C357	249	C367	252	---	---	---	---	CN207	107	CN217	116		
C358	255	C368	252	---	---	---	---	CN208	115	CN218	107		
C359	252	C369	252	---	---	---	---	CN209	116	---	---		
C360	252	C370	255	C501	247	---	---	CN210	111	CN220	113		

### CONNECTOR

## 37.BCU Board (G080)

### DIODE

SYMBOL NO.	INDEX NO.
D1	131
D2	131

### DA

SYMBOL NO.	INDEX NO.
DA1	128
DA2	128
DA3	128
DA4	128
DA5	128
DA6	129
DA7	130
DA8	130
DA9	129
DA10	128

### FILTER

SYMBOL NO.	INDEX NO.
DA11	129
DA12	128
DA13	128
DA14	130
DA15	130

SYMBOL NO.	INDEX NO.
FIL1	199
FIL2	199
FIL3	199
FIL4	201
FIL5	202
FIL6	201
FIL7	202
FIL8	201
FIL9	202
FIL10	201

SYMBOL NO.	INDEX NO.
FIL11	202
FIL12	200
FIL13	200
FIL14	199
FIL15	199
FIL16	199
FIL17	199
FIL18	200
FIL19	203
FIL20	203

SYMBOL NO.	INDEX NO.
FIL21	203
FIL22	203
FIL23	203
FIL24	203
FIL25	203
FIL26	203
FIL27	203
FIL28	203
FIL29	203
FIL30	203

SYMBOL NO.	INDEX NO.
FIL31	203
FIL32	203
FIL33	203
FIL34	203
FIL35	203
FIL36	203
FIL37	203
FIL38	203
FIL39	203
FIL40	203

### FILTER

SYMBOL NO.	INDEX NO.
FIL41	203
FIL42	203
FIL43	203
FIL44	203
FIL45	203
FIL46	203
FIL47	203
FIL48	203
FIL49	203
FIL50	203

### FUSE

SYMBOL NO.	INDEX NO.
FU1	120
FU2	121

### IC

SYMBOL NO.	INDEX NO.
IC1	141
IC2	141
IC3	139
IC4	139
IC5	151
IC6	154
IC7	154
IC8	154
IC9	139
IC10	139

SYMBOL NO.	INDEX NO.
IC11	153
IC12	156
IC13	154
IC14	154
IC15	154
IC16	154
IC17	160
IC18	160
IC19	141
IC20	160

SYMBOL NO.	INDEX NO.
IC21	160
IC22	155
IC23	5
IC24	157
IC25	144
---	---
IC27	4
IC28	138
IC29	152
IC30	153

SYMBOL NO.	INDEX NO.
IC31	145
IC32	138
IC33	144
IC34	150
IC35	141
IC36	119
IC37	140
IC38	147
IC39	147
IC40	158

SYMBOL NO.	INDEX NO.
IC41	165
IC42	167
IC43	169
IC44	163
IC45	141
IC46	149
IC47	2
IC48	1
IC49	143
IC50	144

## 37.BCU Board (G080)

### IC

SYMBOL NO.	INDEX NO.
IC51	148
SOCKET	3
IC52	141
IC53	144
IC54	256
IC55	256
IC56	146
IC57	146
IC58	164
IC59	162
IC60	161

SYMBOL NO.	INDEX NO.
IC61	169

### JP

SYMBOL NO.	INDEX NO.
---	---
JP2	206
---	---
---	---
JP5	206
---	---
JP7	206
JP8	206
---	---
JP10	206

SYMBOL NO.	INDEX NO.
JP11	206
JP12	206
JP13	206
JP14	206
JP15	206
---	---
JP16	206
JP17	205
JP18	206
JP19	206
JP20	206

SYMBOL NO.	INDEX NO.
JP21	206
JP22	206
---	---
JP24	206
JP25	206
---	---
JP26	206
JP27	206
JP28	206
JP29	206
JP30	206

SYMBOL NO.	INDEX NO.
JP31	206
JP32	206
JP33	206
---	---
JP35	206
JP36	206
JP37	206

### LED

SYMBOL NO.	INDEX NO.
LED1	136
LED2	135
LED3	134

### OSC

SYMBOL NO.	INDEX NO.
OSC1	172
OSC2	171
OSC3	172
OSC4	174
OSC5	174
---	---
OSC6	173

### Q

SYMBOL NO.	INDEX NO.
Q1	168
Q2	168
Q3	123
Q4	126
Q5	126
---	---
Q6	126
Q7	123
Q8	123
Q9	127
Q10	127

SYMBOL NO.	INDEX NO.
Q11	142
Q12	142
Q13	142
Q14	142
Q15	142
---	---
Q16	137
Q17	142
Q18	137
Q19	123
Q20	127

SYMBOL NO.	INDEX NO.
Q401	123
Q402	123
Q403	123
Q404	123
---	---
---	---
---	---
---	---
Q501	125
Q502	124

### RESISTOR

SYMBOL NO.	INDEX NO.
R1	213
R2	212
R3	241
R4	212
R5	241
---	---
R6	212
R7	213
R8	213
R9	213
R10	221

SYMBOL NO.	INDEX NO.
R11	210
R12	210
R13	221
R14	213
R15	211
---	---
R16	213
R17	213
R18	213
R19	213
R20	223

SYMBOL NO.	INDEX NO.
R21	213
R22	213
R23	230
R24	215
R25	213
---	---
R26	214
R27	214
R28	214
R29	213
R30	214

## 37.BCU Board (G080)

### RESISTOR

SYMBOL NO.	INDEX NO.	SYMBOL NO.	INDEX NO.	SYMBOL NO.	INDEX NO.	SYMBOL NO.	INDEX NO.	SYMBOL NO.	INDEX NO.	SYMBOL NO.	INDEX NO.	SYMBOL NO.	INDEX NO.
R31	213	R41	234	R51	226	R61	213	R71	227	R81	217	R91	230
R32	207	R42	232	R52	226	R62	213	R72	227	R82	229	R92	230
R33	213	R43	237	R53	226	R63	213	R73	207	R83	229	R93	213
R34	213	R44	234	---	---	R64	230	R74	207	R84	229	R94	213
R35	214	R45	234	R55	213	R65	230	R75	227	R85	227	R95	213
R36	214	R46	237	---	---	R66	213	R76	229	R86	227	R96	213
R37	213	R47	232	R57	213	R67	213	R77	217	R87	227	R97	217
R38	221	R48	231	R58	214	R68	230	R78	232	R88	230	R98	229
R39	210	R49	230	R59	213	R69	213	R79	217	R89	230	R99	227
R40	237	R50	227	R60	230	R70	213	R80	217	R90	213	R100	213

### RESISTOR

SYMBOL NO.	INDEX NO.	SYMBOL NO.	INDEX NO.	SYMBOL NO.	INDEX NO.	SYMBOL NO.	INDEX NO.	SYMBOL NO.	INDEX NO.	SYMBOL NO.	INDEX NO.	SYMBOL NO.	INDEX NO.
R101	221	R111	223	R121	212	R131	230	R141	236	R151	240	R161	213
R102	227	R112	211	R122	221	R132	230	R142	220	R152	240	R162	231
R103	221	R113	213	R123	213	R133	230	R143	220	R153	238	R163	213
R104	223	R114	211	R124	213	R134	230	R144	236	R154	213	R164	209
---	---	R115	214	R125	210	R135	230	R145	240	R155	213	R165	223
R106	223	R116	213	R126	221	R136	213	R146	240	R156	238	R166	213
R107	223	R117	230	R127	210	R137	238	R147	211	R157	236	R167	211
R108	223	R118	230	R128	230	R138	213	R148	211	R158	220	R168	223
R109	223	R119	212	R129	230	R139	213	R149	211	R159	220	R169	213
R110	223	R120	223	R130	227	R140	238	R150	211	R160	236	R170	213

## 37.BCU Board (G080)

### RESISTOR

SYMBOL NO.	INDEX NO.	SYMBOL NO.	INDEX NO.	SYMBOL NO.	INDEX NO.	SYMBOL NO.	INDEX NO.	SYMBOL NO.	INDEX NO.	SYMBOL NO.	INDEX NO.	SYMBOL NO.	INDEX NO.
R171	227	R181	230	R191	213	R201	212	R211	224	R221	213	R231	212
R172	212	R182	204	R192	213	R202	212	---	---	R222	213	R232	240
R173	213	R183	230	R193	213	R203	223	---	---	R223	235	R233	212
R174	230	---	---	R194	228	---	---	---	---	R224	227	R234	240
R175	230	R185	223	R195	212	R205	213	---	---	R225	213	R235	235
R176	223	R186	223	R196	213	R206	213	R216	214	R226	213	R236	227
R177	230	R187	212	R197	223	---	---	R217	233	R227	227	R237	213
R178	230	R188	215	---	---	---	---	R218	216	R228	235	R238	213
R179	230	R189	213	R199	212	---	---	R219	212	R229	227	R239	218
R180	230	R190	230	R200	212	R210	213	R220	212	R230	235	R240	218

### RESISTOR

SYMBOL NO.	INDEX NO.	SYMBOL NO.	INDEX NO.	SYMBOL NO.	INDEX NO.	SYMBOL NO.	INDEX NO.	SYMBOL NO.	INDEX NO.	SYMBOL NO.	INDEX NO.	SYMBOL NO.	INDEX NO.
R241	212	R251	212	R261	223	R271	212	R281	213	R291	213	R301	211
R242	225	R252	213	R262	213	R272	213	R282	213	R292	224	R302	223
R243	239	R253	212	R263	230	R273	222	R283	227	R293	223	R303	223
R244	240	R254	240	R264	213	R274	219	R284	227	---	---	R304	211
R245	239	R255	212	R265	213	R275	212	R285	230	R295	213	R305	223
R246	212	R256	212	R266	219	R276	213	R286	213	R296	213	R306	223
R247	212	R257	212	R267	230	R277	230	R287	213	R297	223	R307	211
R248	212	R258	223	R268	222	R278	213	R288	213	R298	223	R308	223
R249	212	R259	223	R269	212	R279	213	R289	223	R299	224	R309	223
---	---	R260	223	R270	212	R280	213	R290	223	R300	223	R310	211

## 37.BCU Board (G080)

### RESISTOR

SYMBOL NO.	INDEX NO.	SYMBOL NO.	INDEX NO.	SYMBOL NO.	INDEX NO.	SYMBOL NO.	INDEX NO.	SYMBOL NO.	INDEX NO.	SYMBOL NO.	INDEX NO.	SYMBOL NO.	INDEX NO.
R311	223	R321	224	R331	227	R341	224	R351	223	R401	213	---	---
R312	224	R322	227	R332	224	R342	223	R352	224	R402	213	---	---
R313	224	R323	224	R333	224	R343	211	R353	211	R403	213	---	---
R314	227	R324	224	R334	227	R344	224	R354	224	R404	213	R414	211
R315	224	R325	227	R335	224	R345	223	R355	223	R405	213	---	---
R316	224	R326	224	R336	223	R346	227	R356	227	R406	213	---	---
R317	227	R327	227	R337	227	R347	224	R357	227	R407	227	R417	212
R318	224	R328	223	R338	211	R348	227	R358	224	R408	227	---	---
R319	227	R329	211	R339	223	R349	227	R359	224	R409	227	R419	212
R320	224	R330	223	R340	224	R350	224	---	---	R410	227	R420	212

### RESISTOR

SYMBOL NO.	INDEX NO.
R501	213
R502	208
R503	230
R504	213
R505	223

### REG

SYMBOL NO.	INDEX NO.
REG1	170
REG2	166
REG3	170

### RN

SYMBOL NO.	INDEX NO.
RN1	184
RN2	175
RN3	175
RN4	186
RN5	175
RN6	175
RN7	175
RN8	184
RN9	184
RN10	175

SYMBOL NO.	INDEX NO.
RN11	175
RN12	184
RN13	175
RN14	175
RN15	177
RN16	176
RN17	176
RN18	177
RN19	176
RN20	177

SYMBOL NO.	INDEX NO.
RN21	176
RN22	177
RN23	176
RN24	182
RN25	177
RN26	177
RN27	176
RN28	177
RN29	182
RN30	187

SYMBOL NO.	INDEX NO.
RN31	182
RN32	175
RN33	178
RN34	178
RN35	175
RN36	177
RN37	176
RN38	177
RN39	176
RN40	177

SYMBOL NO.	INDEX NO.
RN41	176
RN42	177
RN43	176
RN44	177
RN45	177
RN46	182
RN47	182
RN48	181
RN49	181
RN50	181



### 37.BCU Board (G080)

#### RN

SYMBOL NO.	INDEX NO.	SYMBOL NO.	INDEX NO.	SYMBOL NO.	INDEX NO.	SYMBOL NO.	INDEX NO.	SYMBOL NO.	INDEX NO.	SYMBOL NO.	INDEX NO.	SYMBOL NO.	INDEX NO.
RN51	178	RN61	183	RN71	178	RN81	175	RN91	186	RN101	186	---	---
RN52	178	RN62	183	RN72	178	RN82	178	RN92	186	RN102	186	RN112	178
RN53	175	RN63	175	RN73	179	RN83	180	RN93	180	RN103	186	---	---
RN54	178	RN64	178	RN74	179	RN84	178	RN94	186	RN104	186	---	---
---	---	RN65	181	RN75	186	RN85	175	RN95	186	RN105	175	---	---
RN56	178	RN66	181	RN76	176	RN86	175	RN96	180	RN106	186	---	---
RN57	178	RN67	181	RN77	185	RN87	175	RN97	180	RN107	175	---	---
RN58	186	RN68	186	RN78	175	RN88	175	RN98	178	RN108	175	---	---
RN59	175	RN69	175	RN79	179	RN89	186	RN99	178	RN109	175	---	---
---	---	RN70	178	RN80	179	RN90	186	RN100	178	RN110	176	---	---

#### RN

SYMBOL NO.	INDEX NO.
RN401	175
RN402	187
RN403	186
RN501	176
RN502	176
RN503	177
RN504	177
RN505	177

#### SW

SYMBOL NO.	INDEX NO.
SW1	122

#### TP

SYMBOL NO.	INDEX NO.
TP45	101
TP46	101
TP76	101
---	---
---	---
---	---
TP80	101
---	---
---	---
TP93	101

#### ZD

SYMBOL NO.	INDEX NO.
ZD1	132
ZD2	132
ZD3	132
ZD4	133
ZD5	133
ZD6	133
ZD7	133
ZD8	133
ZD9	133
ZD10	133

### 37.BCU Board (G080)



Index No.	Part No.	Description	Q'ty Per Assembly
*	G080 5053	PCB:J-BCU:P2:Service	1
1	A232 5355	IC - GATEX	1
2	G060 5355	IC - S-GATEX	1
3	G060 5550	IC Socket - IC197-4807-2000	1
4	G060 5791	IC - GAPCI	1
5	G080 5580	IC:DSP:J-P2:BCU	1

Index No.	Part No.	Description	Q'ty Per Assembly
101	1101 0328	Connector Pin Contact	
102	1102 7029	Connector - 8p - 53375-0810	
103	1102 7460	Connector - FH12-50S-0.5SH	
104	1102 8469	Connector - 55447-0510	
105	1102 8470	Connector - 55447-0610	
106	1102 8473	Connector - 55447-0910	
107	1102 8478	Connector - 55447-1410	
108	1102 8482	Connector - 55447-1810	
109	1102 8485	Connector - 55451-2210	
110	1102 8486	Connector - 55451-2410	
111	1102 8487	Connector - 55451-2610	
112	1102 8489	Connector - 55451-3010	
113	1102 8491	Connector - 55451-3410	
114	1102 8492	Connector - 55451-3610	
115	1102 8493	Connector - 55451-3810	
116	1102 8494	Connector - 55451-4010	
117	1102 8522	Connector - 53375-1510	
118	1102 8559	Connector - 9730S-200C-GF	
119	1104 0764	IC Socket - 8 PIN	
120	1107 0958	Fuse:434003.NR	
121	1107 0989	Fuse - Ke10	
122	1204 2478	DIP Switch:4p	
123	1400 0556	Transistor - DTB143EK	
124	1400 0767	Transistor:DTA114EUA	
125	1400 0810	Transistor:DTC114EUA	
126	1400 0855	Transistor - 2SA1235A	
127	1400 0857	Transistor - RT1N141C	
128	1402 0595	Diode Array - DAN202K	
129	1402 0596	Diode-array - DAP202K	
130	1402 0708	Diode - 1SS272	
131	1402 1336	Diode - 1SS355	
132	1402 1662	Diode:PTZ6.2B	
133	1402 1663	Diode - ZTP12B	
134	1403 0907	Diode - SML-310LT	
135	1403 0953	LED - SML-310MT	

Index No.	Part No.	Description	Q'ty Per Assembly
136	1403 1033	LED - SML-310YT	
137	1407 1535	IC - TD62308AP	
138	1407 1596	TTLIC - SN74LS14NS	
139	1407 1600	TTLIC - SN74LS244NS	
140	1407 2052	TTLIC - SN74LS74ANS	
141	1407 2187	TTLIC - SN74LS07NS	
142	1407 2219	IC - TD62003AP	
143	1407 3281	IC - TC74HCU04AF	
144	1407 3290	IC - TC74HC02AF	
145	1407 3380	HS-C2MOS - TC74HTCT04AF	
146	1407 4687	IC - TA8083F	
147	1407 4870	Cmosic - 74VHC08 TSSOP	
148	1407 5151	IC - MBM29F160TE70TN	
149	1407 5161	CPU- HD64F2633WF25	
150	1407 5255	Clock Generator - FS741BZB	
151	1407 5343	IC - SN74LV240APW	
152	1407 5346	IC - SN74LS74ANS	
153	1407 5347	IC - SN74LV08APW	
154	1407 5353	IC - SN74LV244APW	
155	1407 5376	IC - SN74LV32APW	
156	1407 5429	IC - SN74LVU04APW	
157	1407 5509	IC - SN74AHCT08PW	
158	1407 5538	CPU - D6432633WG00F	
160	1408 0810	IC - BA10358F	
161	1408 1065	Comparator - BA10339F	
162	1408 1082	D/A Converter - M62354FP	
163	1408 1095	IC - BA10324AF	
164	1408 1204	IC - TA8083P	
165	1408 1223	Ditector - RN5VD42C	
166	1408 1295	IC - UPC2933T	
167	1408 1398	Detector - RN5VD42A	
168	1408 1535	Transistor Array - M54585P	
169	1408 1550	IC - LM2902PW	
170	1408 1555	Regulator - L1087MP-3.3	
171	1503 0885	Crystal Oscilator - 10MHZ	

Index No.	Part No.	Description	Q'ty Per Assembly
172	1503 0903	Crystal Oscillator- 12.5mhz	
173	1503 0946	Crystal Oscillator - 9.8304mhz	
174	1503 1007	Crystal Oscillator - 25mhz	
175	1601 7887	Resistor Array - 10K $\Omega$ $\pm$ 5% 1/32W	
176	1601 7898	Resistor Array	
177	1601 7915	Resistor Array - 33 $\Omega$ $\pm$ 5% 1/16W	
178	1601 7919	Resistor - 10K $\Omega$ $\pm$ 5% 1/16W 8	
179	1601 7926	Resistor - 68 $\Omega$ $\pm$ 5% 1/16W 8	
180	1601 7927	Resistor Array - 1K $\Omega$ $\pm$ 5% 1/16W	
181	1601 7928	Resistor Array - 4.7K $\Omega$ $\pm$ 5% 1/16W	
182	1601 7929	Resistor Array - 100K $\Omega$ $\pm$ 5% 1/16W	
183	1601 7933	Resistor Array - 100 $\Omega$ $\pm$ 5% 1/16W	
184	1601 7934	Resistor Array - 150 $\Omega$ $\pm$ 5% 1/16W	
185	1601 7943	Resistor Array - 68 $\Omega$ $\pm$ 5% 1/32W	
186	1601 7959	Resistor	
187	1601 7981	Resistor Array - 100K $\Omega$ $\pm$ 5% 1/16W	
188	1604 5064	Capacitor 47uf: $\pm$ 20%:50V	
189	1604 5065	Capacitor 10uf: $\pm$ 20%:50V	
190	1604 5066	Capacitor 100uf: $\pm$ 20%:50V	
191	1604 5067	Capacitor 10uf: $\pm$ 20%:35V	
192	1604 5068	Capacitor:47uf: $\pm$ 20%:25V	
193	1604 5069	Capacitor 47uf: $\pm$ 20%:16V	
194	1604 5070	Capacitor:100uf: $\pm$ 20%:10V	
195	1604 5071	Capacitor 47uf: $\pm$ 20%:6.3V	
196	1604 5072	Capacitor 22uf: $\pm$ 20%:6.3V	
197	1605 1148	Capacitor - 0.1 $\mu$ F+80-20% 50V	
198	1605 1184	Capacitor 7pf $\pm$ 0.5pF:50V	
199	1607 1002	IC - NFM60R30T222	
200	1607 1020	Filter - MMZ1608Y121B	
201	1607 1275	Filter - ACF321825-221	
202	1607 1276	Filter - ACF321825-331	
203	1607 1296	Filter - MMZ1608S601A	
204	1610 1693	Resistor - 330 $\Omega$ $\pm$ 5% 1/1W	
205	1631 0000	Resistor - 0 $\Omega$ 1/4W	
206	1634 0000	Resistor - 0 $\Omega$ 1/16W	

Index No.	Part No.	Description	Q'ty Per Assembly
207	1650 2680	Resistor - 68Ω ±5% 1/4W	
208	1650 3221	Resistor - 220Ω±5%1/8W	
209	1650 3821	Resistor - 820Ω ±5% 1/8W	
210	1650 4100	Resistor - 10Ω ±5% 1/10W	
211	1650 4101	Resistor - 100Ω±5%1/10W	
212	1650 4102	Resistor - 1KΩ ±5% 1/10W	
213	1650 4103	Resistor - 10KΩ ±5% 1/10W	
214	1650 4104	Resistor - 100KΩ±5%1/10W	
215	1650 4105	Resistor - 1MΩ ±5% 1/10W	
216	1650 4152	Resistor - 1.5KΩ ±5% 1/10W	
217	1650 4161	Resistor - 160Ω ±5% 1/10W	
218	1650 4162	Resistor - 1.6KΩ ±5% 1/10W	
219	1650 4201	Resistor - 200Ω±5%1/10W	
220	1650 4204	Resistor - 200KΩ±5%1/10W	
221	1650 4222	Resistor - 2.2KΩ±5%1/10W	
222	1650 4302	Resistor - 3KΩ±5%1/10W	
223	1650 4330	Chip Resistor - 33Ω ±5% 1/10W	
224	1650 4332	Resistor - 3.3KΩ±5%1/10W	
225	1650 4362	Resistor - 3.6KΩ±5%1/10W	
226	1650 4470	Resistor - 47Ω±5%1/10W	
227	1650 4472	Resistor - 4.7KΩ ±5% 1/10W	
228	1650 4511	Resistor - 510Ω±5%1/10W	
229	1650 4562	Resistor - 5.6KΩ ±5% 1/10W	
230	1650 4680	Resistor - 68Ω±5%1/10W	
231	1650 4681	Resistor - 680Ω ±5% 1/10W	
232	1650 4682	Resistor - 6.8KΩ ±5% 1/10W	
233	1650 4750	Resistor - 75Ω±5%1/10W	
234	1654 1002	Resistor - 10KΩ±5%1/10W	
235	1654 1004	Chip Resistor - 1mΩ ±1% 1/10W	
236	1654 1601	Chip Resistor - 1.6kΩ±1% 1/10W	
237	1654 2002	Resistor - 20KΩ±1%1/10W	
238	1654 2402	Chip Resistor:24kΩ:±1%:1/10W	
239	1654 4301	Resistor - 4.3KΩ±1%1/10W	
240	1654 5231	Resistor - 5.23KΩ±1%1/10W	
241	1654 8201	Resistor - 8.2KΩ ±1% 1/10W	

Index No.	Part No.	Description	Q'ty Per Assembly
242	1660 2101	Capacitor - 100pF - ±10% - 50V	
243	1660 2121	Capacitor - 120pF ±5% 50V	
244	1660 2220	Capacitor - 22pF ±20% 35V	
245	1660 2221	Capacitor - 220pF +80-20% 50V	
246	1660 2270	Capacitor - 27pF ±20% 35V	
247	1660 2330	Capacitor - 33pF - ±5% - 50V	
248	1660 2471	Capacitor - 470pF - ±5% - 50V	
249	1660 4102	Capacitor - 1000pF ±10% 50V	
250	1660 4103	Capacitor - 10000pF - ±10% - 50V	
251	1660 4472	Capacitor - 4700pF±10% 50V	
252	1660 6103	Capacitor - 10000pF - +80%-20%50V	
253	1660 6223	Capacitor - 22000pF +80 -20% 50V	
254	1660 6473	Capacitor - 47000pF +80,-20% 50V	
255	1660 8104	Capacitor - 0.1μF+80-20% 25V	
256	1902 0067	RAM:1M:X8:70NS:G17	

### 38.Decals And Documents (G080)

<p>1</p> <p>CAUTION VORSICHT</p> <p>LASER RADIATION WHEN OPEN, AVOID EXPOSURE TO BEAM. LASERSTRAHLUNG WENN ABDECKUNG GEÖFFNET. NICHT DEM STRAHL AUSSETZEN.</p> <p>&gt;PS&lt;</p>	<p>6</p> <p>RICOH Aficio CL7000</p> <p>SAVIN CLP28</p> <p>Gestetner DSc38u</p> <p>LANIER LPI38c</p> <p>nashua DSc38u</p> <p>Rex-Rotary DSc38 U</p> <p>Aficio™</p> <p>Gestetner DSc38u</p> <p>Aficio™</p> <p>infotec IPC2838</p>			
<p>2</p> <p>CAUTION VORSICHT</p> <p>LASER RADIATION WHEN OPEN, AVOID EXPOSURE TO BEAM. LASERSTRAHLUNG WENN ABDECKUNG GEÖFFNET. NICHT DEM STRAHL AUSSETZEN.</p> <p>&gt;PS&lt;</p>				
<p>3</p> <p>CAUTION ACHTUNG ATTENTION PRECAUCION</p>	<p>7</p>			
<p>4</p> <p>CLASS LASER PRODUCT LASER KLASSE PRODUKT</p>	<p>8</p> <p>&gt;PS&lt;</p> <p>↓ B1</p>			
<p>5</p> <p>CAUTION ATTENTION ACHTUNG</p> <p>ATTENZIONE PRECAUCION ATTENTIE</p> <p>&gt;PS&lt;</p>	<p>9</p> <p>&gt;ABS&lt;</p> <p>↓ B2</p>			
				<p>10</p> <p>&gt;PS&lt;</p>

### 38.Decals And Documents (G080)

<p>11</p>	<p>18</p>	<p>19</p>		
<p>12</p>	<p>20</p> <p>21</p>			
<p>13</p>	<p>14</p>	<p>22</p>		
<p>15</p>	<p>16</p>	<p>17</p>	<p>23</p>	<p>25</p>
<p>24</p>				

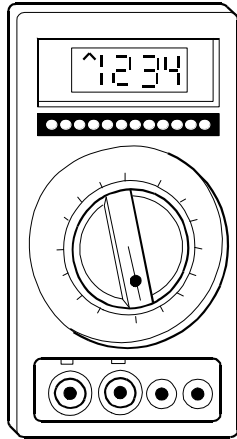
### 38.Decals And Documents (G080)

Index No.	Part No.	Description	Q'ty Per Assembly
1	AA00 0217	Decal - LD 655	1
2	AA00 0218	Caution Decal	1
3	AA00 0401	Decal - High Temperature	1
4	AA00 0542	Decal - Laser Class 1	1
5	G047 4665	Decal:Bottle:Fusing	1
6	G080 7005	Decal:Emblem:EXP	1
6	G080 7505	Decal - Emblem (SVN)	1
6	G080 7506	Decal - Emblem (GES NA)	1
6	G080 7605	Decal - Emblem (NRG NAS)	1
6	G080 7606	Decal - Emblem (NRG REX)	1
6	G080 7607	Decal - Emblem (NRG GES)	1
6	G080 7705	Decal - Emblem (INF)	1
6	G080 7905	Decal - Emblem (LAN EU)	1
7	GA00 0028	Decal:Fusing:Warning	1
8	GA00 1003	Decal - Grip B1	1
9	GA00 1004	Decal - Grip B2	1
10	GA00 3010	Decal - Manual Feed	1
11	GA00 3014	Decal - Paper Tray	1
12	GA00 3016	Decal - Y Toner Supply	1
12	GA00 3017	Decal - M Toner Supply	1
12	GA00 3018	Decal - C Toner Supply	1
12	GA00 3019	Decal - K Toner Supply	1
13	GA00 3025	Decal - Drum Stay	1
14	GA00 3029	Decal - Vertical Transport	1
15	GA00 3030	Decal - Shielding Plate Y	1
15	GA00 3031	Decal - Shielding Plate M	1
15	GA00 3032	Decal - Shielding Plate C	1
15	GA00 3033	Decal - Shielding Plate K	1
16	GA00 3034	Decal - Energystar	1
17	GA00 3037	Decal - Power Source	1
18	GA00 3038	Decal - Inkjet Paper Caution	1
19	GA00 3044	Decal - Vertical Transport 2	1
20	GA00 3055	Decal:Fusing Unit:Positioning Display	1
21	GA00 3066	Decal:Paper Tray:No.1	1
22	GA00 3067	Decal:Paper Tray:No.2:Left	1

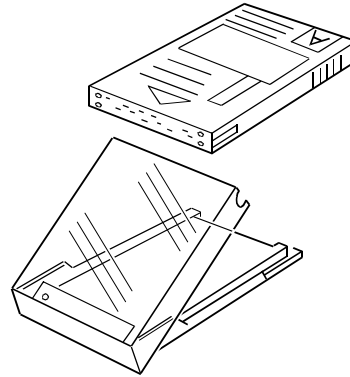
Index No.	Part No.	Description	Q'ty Per Assembly
23	GA00 3068	Decal:Paper Tray:No.2:Right	1
24	GA00 3069	Decal:Toner Supply:English	1
25	G080 6520	Setup Guide (Asia)	1
25	G080 6582	Maintenance Guide (Asia)	1

### 39.Special Tools (G080)

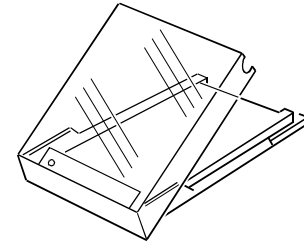
1



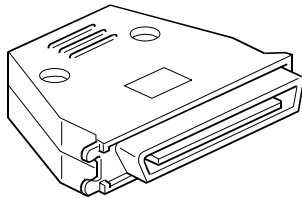
2



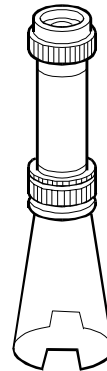
3



4



5





### 39.Special Tools (G080)

Index No.	Part No.	Description	Q'ty Per Assembly
1	A029 9387	Digital Multimeter - FLUKE87	1
2	N830 6701	Flash Memory Card - 4MB	1
3	A230 9351	Card	1
4	G021 9350	Loopback Connector - Parallel	1
5	C401 9503	20X Magnification Scope	1

Index No.	Part No.	Description	Q'ty Per Assembly

# Parts Index

## Parts Index

Part No.	Description	Page and Index No.
G080 1026	Holder:OPC Drum:Ass'y	63 - 1
G080 1036	Gear:Drum:Ass'y	61 - 14
G080 1066	Frame:Lengthwise Upper:Peen	55 - 19
G080 1071	Supporter:PCU:Peen	59 - 3
G080 1072	Supporter:PCU	59 - 1
G080 1078	Supporter:Fusing Unit	51 - 7
G080 1079	Holder:Connector:Ass'y	51 - 19
G080 1082	Guide Plate:Transport Unit	77 - 18
G080 1094	Holder:Toner Supply Unit	31 - 28
G080 1098	Bracket:Option:Front	51 - 17
G080 1099	Bracket:Option:Rear	51 - 1
G080 1109	Bracket:Drive:Manual Feed:Peen	67 - 9
G080 1115	Joint:Development:Sub-ass'y	61 - 11
G080 1154	Bracket:Drum:Drive:Peen	61 - 18
G080 1159	Shielding Plate:Gear:Drum	61 - 5
G080 1160	Stepper Motor:42:Black:Ass'y	61 - 20
G080 1161	Positioning Plate:Shaft:Drive:Manual Feed	67 - 8
G080 1162	DC Motor: DC2.5V 6.5W	61 - 19
G080 1166	Holder:Positioning Sensor:Gear:Drum	61 - 6
G080 1168	Ground Plate:OPC Drum	61 - 17
G080 1169	Screw:M3	61 - 12
G080 1170	Drive Unit:Stepper Motor:Paper Feed:Ass'y	67 - 17
G080 1182	Duct:Fan:Mm80	69 - 6
G080 1183	Duct:Tray:Exit:Ass'y	13 - 23
G080 1193	Duct:Guard:DC Motor	69 - 4
G080 1195	Shadeing Plate:Cover:Duct:Peen	71 - 22
G080 1224	Inner Cover:Manual Feed:Ass'y	9 - 17
G080 1265	Cover:Right:Upper	9 - 16
G080 1267	Cover:Right:Rear	11 - 27
G080 1272	Cover:Upper:Rear	9 - 8
G080 1282	Inner Cover:Right	11 - 20
G080 1283	Inner Cover:Upper	9 - 3
G080 1284	Inner Cover:Left	11 - 21
G080 1292	Sheet:Operate:J-P2	9 - 26
G080 1294	Inner Cover:Toner Cartridge	11 - 31

Part No.	Description	Page and Index No.
G080 1295	Inner Cover:Left:Small	11 - 23
G080 1319	Electrode:Ground Plate	9 - 12
G080 1320	Grip:Cover:Right Upper:Peen	9 - 20
G080 1321	Band:Stopper:Cover:Right Upper	9 - 14
G080 1460	Guide Plate:Operation Panel	73 - 1
G080 1853	Imaging Unit	13 - 1
G080 2526	Shoe:Paper Tray	15 - 13
G080 2531	Transport Sub-unit:Lengthwise:Ass'y	25 - 1
G080 2605	Guide Plate:Registration:Lower:Adhesion	29 - 5
G080 2612	Guide Plate:Registration:Upper	23 - 6
G080 2614	Guide Plate:Registration:Middle	23 - 7
G080 2621	Guide Plate:Duplex:Exit:Upper	29 - 10
G080 2622	Guide Plate:Duplex:Exit:Lower	29 - 26
G080 2623	Guide:Turn	29 - 27
G080 2635	Bracket:Sensor:Paper Feed	29 - 13
G080 2643	Guide Plate:Vertical Transport	23 - 8
G080 2644	DC Solenoid:Ass'y	23 - 24
G080 2645	Arm:Roller:Release	23 - 23
G080 2649	Slider:Registration:Release	27 - 21
G080 2650	Bushing:Registration:Front:Driven	23 - 10
G080 2651	Link:Pressure Release:Registration	27 - 19
G080 2652	Bracket:Link:Ass'y	27 - 20
G080 2656	Compression Spring:Driven:2n	23 - 25
G080 2660	Side Plate:Paper Feed:Front:Ass'y	23 - 11
G080 2668	Cover:Vertical Transport	23 - 17
G080 2670	Hook:Vertical Transport:Upper:Peen	23 - 12
G080 2673	Shaft:Grip	23 - 15
G080 2680	Bushing:Registration:Rear:M8	29 - 3
G080 2682	Bushing:Feed	27 - 32
G080 2683	Shaft:Feed	27 - 8
G080 2684	Bushing:Registration:Front:Mm8	29 - 1
G080 2700	Paper Feed Unit:No.1:Ass'y	19 - 1
G080 2750	Paper Feed Unit:No.2:Ass'y	21 - 1
G080 2761	Arm:Pickup	19 - 9
G080 2761	Arm:Pickup	21 - 10

Part No.	Description	Page and Index No.
G080 2762	Guide Plate:Paper Feed Unit	19 - 35
G080 2762	Guide Plate:Paper Feed Unit	21 - 36
G080 2763	Ground Plate:Front:Paper Feed Unit	19 - 32
G080 2768	Paper Tray:No.1:Ass'y	15 - 1
G080 2772	Paper Tray:No.2:Ass'y	17 - 1
G080 2777	Side Fence:Front:Fix:Adhesion	15 - 8
G080 2778	Side Fence:Rear:Fix:Adhesion	15 - 7
G080 2781	Side Fence:Front:Universal:Ass'y	17 - 20
G080 2782	Side Fence:Rear:Universal:Ass'y	17 - 10
G080 2789	Side Fence:Front:Universal:Adhesion	17 - 23
G080 2790	Side Fence:Rear:Universal:Adhesion	17 - 14
G080 2851	Manual Feed Unit:Ass'y	27 - 5
G080 2900	Torque Limiter	27 - 4
G080 2952	Torsion Spring:Cover:Right	25 - 18
G080 2953	Torsion Spring:Cover:Left	25 - 16
G080 3201	Holder:Toner Cartridge:Collar:Ass'y	31 - 1
G080 3202	Holder:Toner Cartridge:BK:Dom:Ass'y	33 - 2
G080 3214	Tube:Air Pump:MC	31 - 4
G080 3215	Tube:Air Pump:BK	31 - 2
G080 3216	Nozzle:YMC	31 - 21
G080 3222	Nozzle:BK	33 - 6
G080 3240	Tube:Air Pump:Y	31 - 3
G080 3241	Tube:Valve:BK	33 - 7
G080 3241	Tube:Valve:BK	31 - 5
G080 3301	Air Pump:Toner Supply	31 - 16
G080 3351	Pump:Toner Supply Unit:BK:Sub-ass'y	59 - 10
G080 3352	Pump:Toner Supply Unit:M:Sub-ass'y	59 - 13
G080 3353	Pump:Toner Supply Unit:C:Sub-ass'y	59 - 12
G080 3354	Pump:Toner Supply Unit:Y:Sub-ass'y	59 - 11
G080 3361	Toner Outlet Sub-unit:CY:Sub-ass'y	59 - 6
G080 3363	Toner Outlet Sub-unit:M:Sub-ass'y	59 - 7
G080 3603	Guide:Collection Bottle:Ass'y	59 - 5
G080 3611	Bracket:Density Sensor:Ass'y	51 - 11
G080 3617	Shutter:Density Sensor:Ass'y	51 - 15
G080 3618	Sheet:Shutter	51 - 18

Part No.	Description	Page and Index No.
G080 3620	Guide Plate:Transfer:Exit	51 - 10
G080 3621	Cover:Density Sensor	51 - 9
G080 3630	Joint:Collection Bottle:Ass'y	63 - 6
G080 3716	Bracket:Cleaning Blade:Ass'y	37 - 8
G080 3731	Case:Coating Bar	37 - 2
G080 3732	Shield:Cleaning Unit	37 - 5
G080 3733	Dual Faces Tepe:Entrance Seal	37 - 3
G080 3740	Holder:Brush Roller:Front:Ass'y	37 - 15
G080 3745	Lever:Release:Cleaning Blade	37 - 14
G080 3751	Cap:Discharge Used Toner:Transfer	37 - 28
G080 3752	Shutter:Discharge Used Toner	37 - 26
G080 3780	Transfer Belt	39 - 1
G080 3810	Transfer Unit:Ass'y	37 - 10
G080 3830	Cleaning Unit:Transfer Belt:Ass'y	37 - 1
G080 3831	Casing:Cleaning Unit:Ass'y	37 - 16
G080 3855	Transfer Roller	39 - 5
G080 3855	Transfer Roller	43 - 7
G080 3860	Frame:BK	39 - 13
G080 3861	Bushing:Transfer Roller	43 - 6
G080 3861	Bushing:Transfer Roller	39 - 3
G080 3862	Bushing:Roller:Back Up	43 - 3
G080 3863	Terminal:Transfer Roller:BK	39 - 14
G080 3864	Roller:Back Up:Ass'y	43 - 11
G080 3867	Holder:Frame:Bk:Front	39 - 10
G080 3868	Holder:Frame:BK:Rear	39 - 15
G080 3869	Terminal:Roller:Exit	39 - 9
G080 3870	Frame:Collar	43 - 17
G080 3875	Ground Plate:Connecting:1	43 - 16
G080 3880	Ground Plate:Roller:Back Up	43 - 19
G080 3881	Terminal:Transfer Roller:Magenta	43 - 12
G080 3882	Terminal:Transfer Roller:Cyan	43 - 21
G080 3883	Terminal:Earth:Magenta	43 - 18
G080 3884	Terminal:Earth:Cyan	43 - 14
G080 3886	Spring Plate:Ground Plate:Cyan	43 - 15
G080 3887	Ground Plate:Y:Ass'y	43 - 1

Part No.	Description	Page and Index No.
G080 3890	Frame:Front:Ass'y	41 - 21
G080 3895	Frame:Rear:Ass'y	41 - 22
G080 3897	Bracket:Drawer	41 - 28
G080 3898	Roller:Back Up:Ass'y	43 - 4
G080 3900	Stay:Right:Ass'y	41 - 12
G080 3902	Roller:Exit:Press Fit	39 - 2
G080 3904	Stay:Left:Ass'y	41 - 5
G080 3908	Shaft:Release:Ass'y	41 - 3
G080 3910	Drive Roller:Ass'y	41 - 2
G080 3918	Spacer:M8.2:0.8mm	41 - 30
G080 3920	Roller:Tension	41 - 10
G080 3921	Bracket:Roller:Tension:Front	41 - 20
G080 3922	Bracket:Roller:Tension:Rear	41 - 25
G080 3923	Ground Plate:Magenta:Ass'y	43 - 8
G080 3930	Roller:Driven:Right Lower	41 - 13
G080 3931	Bracket:On-off:Front:Ass'y	39 - 24
G080 3934	Bracket:ON-OFF:Rear:Ass'y	39 - 20
G080 3936	Shaft:ON-OFF	39 - 19
G080 3940	Roller:Driven:Entrance	39 - 28
G080 3941	Roller:Roller:Driven	39 - 27
G080 3942	Roller:Roller:Driven:Entrance	39 - 26
G080 3943	Spacer:0.5mm	41 - 29
G080 3945	Roller:Driven:Left Lower	41 - 7
G080 3946	Bracket:Roller:Driven:Peen	41 - 8
G080 3950	Bracket:Guide:Right Lower	39 - 39
G080 3951	Bracket:Guide:Left:Ass'y	39 - 16
G080 3960	Guide Plate:Entrance:Transfer	39 - 36
G080 3965	Roller:Bias:Ass'y	39 - 30
G080 3967	Terminal:Bias	39 - 32
G080 3968	Terminal:Roller:Bias	39 - 34
G080 3980	Stepper Motor:Transfer Belt:Press Fit	37 - 20
G080 3985	Tightener:Drive:Peen	41 - 15
G080 3990	Drum Stay:Transfer Unit:Peen	37 - 19
G080 3993	Lever:Release	37 - 17
G080 3994	Cover:Transfer Unit	37 - 18

Part No.	Description	Page and Index No.
G080 4010	Guide Plate:Fusing Exit:Lower:Ass'y	45 - 20
G080 4012	Thermofuse:Ass'y	47 - 6
G080 4035	Stay:Fusing:Upper:Ass'y	45 - 6
G080 4042	Stay:Heat Roller:Ass'y	45 - 13
G080 4097	Holder:Guide:Roller	55 - 20
G080 4126	Spring:Pressure:Hot Roller	45 - 27
G080 4128	Arm:Hot Roller:Front	45 - 29
G080 4129	Arm:Hot Roller:Rear	45 - 28
G080 4152	Thermostat:Ass'y	45 - 14
G080 4180	Bracket:Pickoff Pawl:Ass'y	45 - 24
G080 4192	Gear:Oil Supply Roller:No.2	45 - 5
G080 4194	Gear:Oil Supply Roller:No.1	45 - 9
G080 4195	Gear:Oil Supply Roller:No.2:Front	45 - 10
G080 4197	Spacer:Heater	45 - 33
G080 4197	Spacer:Heater	47 - 20
G080 4202	Shield:Positioning Pin:Front	47 - 8
G080 4203	Shield:Positioning Pin:Rear	47 - 13
G080 4207	Fusing Cover:Upper:Exp:Ass'y	45 - 31
G080 4210	Fusing Entrance Guide Plate	47 - 9
G080 4211	Bracket:Connector	47 - 18
G080 4231	Holder:Oil	51 - 3
G080 4232	Tube:Used Develper:Oil	51 - 5
G080 4233	Clip:M11	51 - 4
G080 4237	Plate:Grip	57 - 22
G080 4245	Magnet Catch:Fusing	45 - 30
G080 4251	Knob:Fusing	45 - 19
G080 4270	DC Solenoid:Oil Supply:Ass'y	57 - 18
G080 4291	Base:Set Sensor	55 - 15
G080 4292	Electrode:Set Sensor:Machine Or Copier	55 - 16
G080 4293	Supporting Plate:Set Sensor	55 - 26
G080 4307	Spring Plate:Return	45 - 7
G080 4308	Tension Spring:Grip	45 - 2
G080 4309	Supporter:Oil Application Unit:Front	45 - 8
G080 4315	Supporter:Oil Application Unit:Rear	45 - 4
G080 4317	Grip:Fusing Unit	45 - 1

Part No.	Description	Page and Index No.
G080 4323	Sheet:Fiber:Grip	45 - 3
G080 4358	Oil Tank:Collect:Ass'y	77 - 1
G080 4359	Holder:Oil Tank:Ass'y	77 - 4
G080 4360	Bracket:Contact Point:Oil Collection Unit:Ass	77 - 6
G080 4363	Cam:Contact Point	77 - 8
G080 4370	Valve:Oil:Collect:Machine Or Copier:Ass'y	77 - 7
G080 4380	Bracket:Sensor	77 - 10
G080 4384	Bracket:Set Sensor:Oil Tank	77 - 14
G080 4394	Holder:Oil Tank:Ass'y	77 - 5
G080 4410	Paper Exit Sub-unit:Fu:Ass'y	49 - 1
G080 4430	Cover:Exit	49 - 25
G080 4431	Side Plate:Exit:Rear:Peen	49 - 9
G080 4435	Side Plate:Exit:Front	49 - 28
G080 4436	Stay:Exit:Upper	49 - 10
G080 4437	Stay:Exit:Lower	49 - 22
G080 4438	Pulley:Exit Roller:20t	49 - 29
G080 4439	Gear:Exit Roller:Fu:18z	49 - 4
G080 4440	Guide Plate:Exit:Connecting	49 - 11
G080 4441	Link:Gate Pawl:Exit	49 - 16
G080 4442	Gate Pawl:Exit	49 - 18
G080 4444	Cover:Exit:Lock:Duplex	49 - 26
G080 4445	Timing Belt:S2m186	49 - 30
G080 4446	Guide Plate:Fusing Exit:Upper	49 - 37
G080 4447	Torsion Spring:Gate Pawl:Exit	49 - 17
G080 4449	Guide Plate:Exit:Entrance:Lower	49 - 20
G080 4450	Gear:Input:17z:19z	49 - 7
G080 4451	Gear:Idler:21z	49 - 6
G080 4452	Roller:Driven:Fusing Exit	49 - 35
G080 4456	Bracket:Magnet Catch:Front	49 - 31
G080 4457	Bracket:Magnet Catch:Rear	49 - 2
G080 4460	Side Plate:Exit:Fd:Front	55 - 14
G080 4461	Side Plate:Exit:Fd:Rear	55 - 4
G080 4462	Stay:Exit:Floppy Disk:Lower	55 - 13
G080 4463	Stay:Exit:FD:Upper	55 - 18
G080 4464	Bracket:Idler:Fd:Peen	57 - 1

Part No.	Description	Page and Index No.
G080 4470	DC Solenoid:Gate Pawl:Exit:Ass'y	53 - 1
G080 5053	PCB:J-BCU:P2:Service	71 - 18
G080 5053	PCB:J-BCU:P2:Service	97 - *
G080 5130	PCB:DRB	69 - 14
G080 5450	Harness:Main:Lower	71 - 19
G080 5451	Harness:Main:Middle	71 - 5
G080 5454	Harness:Power Supply Unit	71 - 16
G080 5455	Harness:Fusing:Machine Or Copier:Dc	71 - 10
G080 5456	Harness:Main:Left	71 - 20
G080 5457	Harness:DRB	71 - 17
G080 5472	Harness:Transfer Unit:Drawer	41 - 27
G080 5474	Harness:Imaging Unit	13 - 10
G080 5480	Harness:Registration Sensor	29 - 7
G080 5481	Harness:Manual Feed Unit	27 - 15
G080 5482	Harness:Paper Feed Unit:Sensor	29 - 12
G080 5483	Harness:Paper Feed Unit	19 - 12
G080 5483	Harness:Paper Feed Unit	21 - 13
G080 5484	Harness:Operation Sub-unit	9 - 5
G080 5491	Harness:Sensor:On-off	75 - 15
G080 5492	Harness:ID:K	33 - 1
G080 5493	Harness:Set Sensor:Bottle	73 - 9
G080 5494	Harness:Imaging Unit:Sync Detector:CM	13 - 11
G080 5495	Harness:Sensor:TM	51 - 12
G080 5496	Harness:Toner End Sensor:K	33 - 9
G080 5497	Harness:Transfer:Machine Or Copier	65 - 19
G080 5501	Harness:Vertical Transport:Safety Switch	23 - 3
G080 5504	Harness:New Article Sensor:Oil	55 - 17
G080 5505	Harness:Oil:Full	77 - 11
G080 5506	Harness:Vertical Transport	23 - 19
G080 5508	Harness:Power Pack:CB	69 - 12
G080 5512	Harness:High Voltage Line:T-Y	43 - 24
G080 5513	Harness:Fusing:Machine Or Copier:AC	69 - 25
G080 5515	Harness:Ground Wire:Operation Sub-unit	9 - 6
G080 5516	Harness:AC:Switch	69 - 24
G080 5519	Harness:Dehumidifier	65 - 18

Part No.	Description	Page and Index No.
G080 5550	PCB:Density Sensor	51 - 14
G080 5580	IC:DSP:J-P2:BCU	97 - 5
G080 5700	PCB:CTL:J-P2	71 - 12
G080 5700	PCB:CTL:J-P2	85 - *
G080 5805	Bracket:Auxiliary:Peen	53 - 21
G080 5807	Lever:Door Switch	53 - 22
G080 5815	Heat Cover	77 - 15
G080 5816	Bracket:Switch:Heater	65 - 17
G080 5831	Bracket:DRB	69 - 15
G080 5832	Stay:Auxiliary:DRB	63 - 7
G080 5833	Bracket:Edge Saddle:DRB	69 - 16
G080 5844	Gasket:Rack:Front	71 - 21
G080 5852	Panel:Control Board	71 - 6
G080 6012	Slide Rail:110mm	53 - 17
G080 6021	Holder:Fusing Unit:Peen	53 - 15
G080 6041	Bracket:Drawer:Fusing	51 - 6
G080 6120	PCB:J-P2:ROMDIMM:EXP:Ass'y	71 - 11
G080 6520	Setup Guide (Asia)	101 - 25
G080 6582	Maintenance Guide (Asia)	101 - 25
G080 7005	Decal:Emblem:EXP	101 - 6
G080 7005	Decal:Emblem:EXP	9 - 29
G080 7505	Decal - Emblem (SVN)	101 - 6
G080 7505	Decal - Emblem (SVN)	9 - 29
G080 7506	Decal - Emblem (GES NA)	9 - 29
G080 7506	Decal - Emblem (GES NA)	101 - 6
G080 7605	Decal - Emblem (NRG NAS)	9 - 29
G080 7605	Decal - Emblem (NRG NAS)	101 - 6
G080 7606	Decal - Emblem (NRG REX)	9 - 29
G080 7606	Decal - Emblem (NRG REX)	101 - 6
G080 7607	Decal - Emblem (NRG GES)	9 - 29
G080 7607	Decal - Emblem (NRG GES)	101 - 6
G080 7705	Decal - Emblem (INF)	9 - 29
G080 7705	Decal - Emblem (INF)	101 - 6
G080 7905	Decal - Emblem (LAN EU)	9 - 29
G080 7905	Decal - Emblem (LAN EU)	101 - 6

Part No.	Description	Page and Index No.
A029 9387	Digital Multimeter - FLUKE87	103 - 1
A134 2661	Feeler Roller	27 - 25
A134 2976	Stopper Lever	17 - 21
A134 2978	Spring Plate	17 - 22
A166 2849	Drive Support Plate	27 - 18
A204 2972	Bottom Lift Lever	17 - 4
A204 2972	Bottom Lift Lever	15 - 5
A230 9351	Card	103 - 3
A232 2762	Paper End Feeler	19 - 36
A232 2762	Paper End Feeler	21 - 37
A232 2764	Rear Grounding Plate	21 - 17
A232 2764	Rear Grounding Plate	19 - 16
A232 2765	Front Grounding Plate	21 - 33
A232 2766	Feed Mylar	21 - 35
A232 2766	Feed Mylar	19 - 34
A232 2780	Stay - Paper Feed	21 - 2
A232 2987	Roller - Paper Tray	15 - 2
A232 2987	Roller - Paper Tray	17 - 6
A232 5355	IC - GATEX	97 - 1
A232 6082	Front Rack	25 - 11
A232 6083	Rear Rack	25 - 12
A259 6239	Screw - M3X4	51 - 16
A259 6239	Screw - M3X4	29 - 22
A267 2857	Spring Plate - Side Fence	17 - 13
A267 2859	Side Fence Stopper	17 - 11
A267 2860	Rear Lever Stopper	17 - 12
A267 3255	Paper Separation Guide	55 - 22
B004 2782	Rear Feed Mylar	21 - 20
B004 2995	Cap - Positioning	75 - 10
B024 1264	Magnet Catch	9 - 25
B051 4361	Cap - Oil Tank Assembly	77 - 2
B101 3360	Toner Outlet Sub-unit:BK:Sub-ass'y	59 - 17
B101 3560	Case:Connecting:BK	59 - 9
B101 3561	Tube:Connecting:Bk	59 - 4
B101 3562	Cover:Connecting:Bk:Ass'y	59 - 18

Part No.	Description	Page and Index No.
C401 9503	20X Magnification Scope	103 - 5
G011 3305	Gear - 16T	25 - 13
G012 4617	Stepped Screw - M3	31 - 12
G012 4617	Stepped Screw - M3	75 - 5
G020 1332	Hinge - Front Cover	9 - 30
G021 9350	Loopback Connector - Parallel	103 - 4
G024 4740	Oil End Sensor	77 - 12
G034 2993	Flanged Hexagonal Head Bolt - M3x6	71 - 9
G047 4665	Decal: Bottle: Fusing	101 - 5
G047 4665	Decal: Bottle: Fusing	77 - 3
G060 1053	Drawer Bracket - Paper Feed Table	65 - 12
G060 1054	Holder: Guide Pin: Paper Feed Table	29 - 25
G060 1054	Holder: Guide Pin: Paper Feed Table	65 - 14
G060 1068	Left Guide Plate - Imaging Uni	73 - 6
G060 1070	Right Guide Plate - Imaging Unit	73 - 12
G060 1074	Upper Registration Stay	59 - 16
G060 1076	Left Guide - Development Unit	59 - 14
G060 1079	Holder - Used Collection Bottle	75 - 1
G060 1081	Shielding Plate - Paper Feed	75 - 9
G060 1083	Rear Left Channel	65 - 13
G060 1085	Rear Right Channel	65 - 9
G060 1087	Rack Holder	65 - 1
G060 1089	Front Left Supporting Plate	75 - 7
G060 1091	Rear Fusing Bracket	53 - 2
G060 1095	Vertical Transport Hinge	75 - 14
G060 1099	Supporting Plate: Front Lower	77 - 19
G060 1106	Registration Tightner	65 - 4
G060 1111	Relay Bracket	65 - 2
G060 1120	Drive Unit - C/M/Y Development	61 - 1
G060 1169	Separation Plate - Paper Feed Drive	67 - 28
G060 1174	Tightener - Paper Feed	67 - 32
G060 1176	Bracket - Magnetic Clutch 1	67 - 29
G060 1177	Bracket - Magnetic Clutch 2	67 - 25
G060 1184	Film - PCU Guide Rail	59 - 2
G060 1192	Right Upper Rear Guide	69 - 10

Part No.	Description	Page and Index No.
G060 1196	Duct: PCU: Supporter: Upper	33 - 22
G060 1198	PCU Duct	33 - 23
G060 1199	Inner PCU Duct	61 - 4
G060 1220	Lower Left Cover	9 - 2
G060 1266	Front Cover - Right Lower	11 - 25
G060 1269	Left Rear Cover	11 - 4
G060 1271	Front Cover - Left Lower	11 - 6
G060 1274	Upper Exit Cover	11 - 34
G060 1277	Bracket - Front Cover Hinge	29 - 21
G060 1277	Bracket - Front Cover Hinge	75 - 8
G060 1279	Exit Cover	11 - 33
G060 1280	Supporting Plate - Right Rear Cover	11 - 30
G060 1281	Louver - Left Rear Cover	11 - 5
G060 1285	Lower Inner Cover	11 - 10
G060 1287	Front Right Cover	11 - 26
G060 1288	Large Cover - Option	9 - 7
G060 1289	Small Cover - Option	9 - 1
G060 1293	Exit End Fence	9 - 15
G060 1300	Filter Case	11 - 3
G060 1312	Front Stopper Pawl	9 - 19
G060 1313	Rear Stopper Pawl	9 - 22
G060 1314	Stopper Pawl Shaft	9 - 21
G060 1555	Upper Controller Duct	69 - 1
G060 1901	Positioning Pin	13 - 3
G060 1908	Thermistor Plate	13 - 5
G060 1972	Shield: Cover: Upper	13 - 8
G060 1975	Lower Cover	13 - 12
G060 1995	Cleaner - Dust Proof Glass	9 - 27
G060 2450	Drum Stay: PCU: Ass'y	11 - 9
G060 2451	Drum Stay	11 - 18
G060 2455	Cover - Drum Stay	11 - 13
G060 2456	Spring Plate- Unit Detection Switch	11 - 17
G060 2457	Unit Detection Switch	11 - 15
G060 2460	Screw - M4X6	11 - 11
G060 2461	Nut - M7	11 - 14



Part No.	Description	Page and Index No.
G060 2481	Left Spring - Drum Stay	11 - 22
G060 2482	Right Spring - Drum Stay	11 - 24
G060 2602	Spring - Registration	23 - 9
G060 2609	Bracket - Registration Sensor	29 - 8
G060 2617	Middle Guide Plate	29 - 19
G060 2618	Guide Plate:Middle:Lower:Adhesion	29 - 20
G060 2626	Transport Drive Roller - Middle	29 - 18
G060 2627	Transport Drive Roller	29 - 9
G060 2630	Guide Plate:Swivel:Adhesion	21 - 38
G060 2651	Rear Bushing - M6	23 - 30
G060 2652	Bushing - M4	29 - 15
G060 2652	Bushing - M4	23 - 20
G060 2663	Side Plate:Paper Feed:Rear:Ass'y	23 - 27
G060 2667	Hinge:Vertical Transport	23 - 29
G060 2669	Cover - Upper Registration	23 - 1
G060 2672	Hook - Lower Vertical Transport	23 - 14
G060 2674	Torsion Spring - Vertical Transport	23 - 13
G060 2680	Bracket - Micro Switch	23 - 2
G060 2681	Knob - Vertical Transport	29 - 17
G060 2683	Lower Vertical Transport Hinge	23 - 28
G060 2685	Registration Drive Roller	29 - 2
G060 2686	Registration Driven Roller	23 - 4
G060 2689	Shaft - Separation Driven	21 - 31
G060 2689	Shaft - Separation Driven	19 - 30
G060 2690	Lever - Vertical Transport	23 - 16
G060 2716	Feed Stay	19 - 2
G060 2723	Housing:Paper Feed Unit	19 - 33
G060 2724	Upper Guide - Paper Feed Unit	19 - 31
G060 2725	Stay - Paper Separation	21 - 25
G060 2727	Stay - Paper Separation 1	19 - 27
G060 2760	Housing:Paper Feed Unit	21 - 34
G060 2770	Tray Bottom Plate:Ass'y	17 - 17
G060 2770	Tray Bottom Plate:Ass'y	15 - 10
G060 2774	Lift Shaft	17 - 5
G060 2774	Lift Shaft	15 - 6

Part No.	Description	Page and Index No.
G060 2775	Spring Plate - Paper Tray	17 - 8
G060 2775	Spring Plate - Paper Tray	15 - 4
G060 2779	Left Supporter	75 - 6
G060 2780	Supporter:Right:Ass'y	75 - 11
G060 2786	Rear Feed Mylar	19 - 19
G060 2797	Paper Size Sensor Board	17 - 9
G060 2800	DC Motor - DC24V 0.5W	65 - 10
G060 2801	Holder - Paper Tray	65 - 16
G060 2806	Tension Spring - Paper Size Sensor Board	17 - 15
G060 2830	Upper Positioning Plate	75 - 12
G060 2834	Lower Positioning Plate	75 - 13
G060 2856	Manual Feed Table Ass'y	25 - 4
G060 2865	Cover - Manual Feed Table	25 - 15
G060 2866	Front Side Fence	25 - 5
G060 2867	Rear Side Fence	25 - 6
G060 2869	Paper Size Sensor	25 - 14
G060 2871	Separation Driven Shaft	27 - 34
G060 2874	Guide Plate - Separator	27 - 30
G060 2900	Torque Limiter - 40mn·m 18mm	19 - 29
G060 2900	Torque Limiter - 40mn·m 18mm	21 - 30
G060 2905	Paper Guide - Manual Feed Tabl	25 - 10
G060 2908	Pad - Side Fence	25 - 7
G060 2914	Stopper Plate	27 - 9
G060 2928	Housing:Manual Feed	27 - 27
G060 2930	Housing Cover	27 - 6
G060 2931	Feeler - Paper End	27 - 24
G060 2932	Pick-up Arm - Manual Feed	27 - 13
G060 2937	DC Solenoid - Pick-up	27 - 14
G060 2940	Cover - Lower Manual Feed	25 - 19
G060 2948	Grounding Plate - Reverse	27 - 23
G060 2949	Magnetic Clutch Cover	11 - 28
G060 2950	Spring Plate - Clutch Cover	11 - 29
G060 2972	Safety Switch Feeler	59 - 15
G060 2973	Front Shaft - Manual Feed Table	25 - 2
G060 2974	Rear Shaft - Manual Feed Table	25 - 3

Part No.	Description	Page and Index No.
G060 2982	Feed Guide	27 - 28
G060 2989	Screw Driver	9 - 28
G060 3205	Holder:Toner Cartridge	31 - 15
G060 3219	Toner Cartridge Holder	33 - 4
G060 3219	Toner Cartridge Holder	31 - 19
G060 3232	Base - Toner Cartridge Stopper	31 - 27
G060 3232	Base - Toner Cartridge Stopper	33 - 14
G060 3233	Toner Cartridge Holder Filter	33 - 25
G060 3236	Tube - K Toner Supply	33 - 11
G060 3237	Tube - Y Toner Supply	31 - 10
G060 3238	Tube - C Toner Supply	31 - 7
G060 3240	Valve	31 - 11
G060 3241	Tube - M Toner Supply	31 - 9
G060 3301	Air Pump - Toner Supply	31 - 13
G060 3318	Shielding Plate - K Development	33 - 24
G060 3319	Shielding Plate - C Development	33 - 18
G060 3320	Shielding Plate - M Development	33 - 20
G060 3321	Shielding Plate - Y Development	33 - 16
G060 3336	Holder:Toner Cartridge:BK:Left	33 - 27
G060 3337	Shield:Holder:Toner Cartridge	33 - 26
G060 3623	Collection Bottle Bracket	73 - 7
G060 3626	Used Toner Sensor Spring	75 - 4
G060 3627	Toner Bottle Sensor Feeler	75 - 2
G060 3629	Shield:Holder:Collection Bottle	75 - 3
G060 3677	Lower Transfer Entrance Guide	39 - 37
G060 3680	Back Up Roller - Transfer	39 - 8
G060 3693	Ground Plate:Transfer:K	39 - 11
G060 3706	DC Motor - 1.56W	63 - 4
G060 3712	Torsion Spring:Shaft:Release:10n	41 - 4
G060 3852	Bushing - Back-up	39 - 6
G060 3852	Bushing - Back-up	43 - 10
G060 3853	Tension Spring - Left Frame	39 - 12
G060 3894	Cam - Front	39 - 18
G060 3896	Joint - Front	39 - 23
G060 3899	Gear - ON-OFF	39 - 22

Part No.	Description	Page and Index No.
G060 3908	Upper Registration Guide	39 - 38
G060 3914	Cover - Bias Roller	39 - 31
G060 3924	Compression Spring - Back Up 3n	39 - 7
G060 3924	Compression Spring - Back Up 3n	43 - 9
G060 3952	Shaft:Toner Collection Coil	37 - 24
G060 3953	Sleeve:Shaft:Toner Collection Coil	37 - 25
G060 3955	Front Spring Plate - Transfer	43 - 20
G060 3956	Rear Spring Plate - Transfer	43 - 13
G060 3977	Gear - Transport Screw	37 - 13
G060 3998	Seal - Sensor	75 - 17
G060 4078	Bracket:Stud:Rear:Peen	47 - 16
G060 4095	Holder:Guide:Front	55 - 25
G060 4096	Holder:Guide:Rear	55 - 24
G060 4098	Shaft:Guide	55 - 23
G060 4179	Bracket:Fix:Pressure Roller	47 - 2
G060 4187	Bracket:Gear:Idler	47 - 11
G060 4188	Sheet:Fiber:Bracket	47 - 12
G060 4190	Nut:Fusing	45 - 32
G060 4190	Nut:Fusing	47 - 15
G060 4208	Fusing Belt	45 - 11
G060 4335	Heat Sink - DC Solenoid Apply	57 - 21
G060 4428	Drinev Roller - M13	57 - 14
G060 4429	Compression Spring - Exit Driven 1n	49 - 12
G060 4436	Compression Spring - Exit Driven	49 - 34
G060 4447	Driven Roller - M16	57 - 13
G060 4447	Driven Roller - M16	49 - 32
G060 4449	Bushing - M4	49 - 13
G060 4451	Upper Exit Guide Plate	57 - 12
G060 4454	Driven Roller - M13	55 - 9
G060 4455	Guide Plate:Exit:Lower	55 - 8
G060 4457	Bracket - Exit Roller	55 - 12
G060 4458	Gear - 16Z	57 - 4
G060 4459	Gate Pawl	57 - 6
G060 4460	Lever - Gate Pawl	57 - 19
G060 4461	Tension Spring - Gate Pawl	57 - 20

Part No.	Description	Page and Index No.
G060 4463	Timing Belt - S2M176	55 - 6
G060 4467	Roller Holder	55 - 10
G060 4479	Shaft - Paper Sensor	57 - 8
G060 4481	Bracket - Paper Sensor	57 - 10
G060 4482	Feeler - Paper Sensor	57 - 9
G060 4490	Exit Tray	9 - 33
G060 4491	Exit Tray	9 - 32
G060 4492	Sub Exit Tray	9 - 34
G060 4496	Support Plate - Discharge Brush	49 - 24
G060 4820	Relay Guide Plate	73 - 2
G060 4850	Stopper Shaft Bracket	55 - 1
G060 4855	Link Bracket	63 - 8
G060 4860	Duplex Left Bracket	73 - 13
G060 4865	Duplex Right Bracket	73 - 14
G060 5322	Sync Detector Board	13 - 4
G060 5355	IC - S-GATEX	97 - 2
G060 5489	Harness - Unit Detection Switch	11 - 16
G060 5511	Harness - High Voltage Line T-K	43 - 22
G060 5530	Harness - Density Sensor	63 - 12
G060 5550	IC Socket - IC197-4807-2000	97 - 3
G060 5599	Toner Cartridge Stopper	31 - 26
G060 5599	Toner Cartridge Stopper	33 - 13
G060 5791	IC - GAPCI	97 - 4
G060 5801	Bracket - Door Switch Lever	53 - 20
G060 5808	Arm - Safety Switch	53 - 23
G060 5813	Bracket - Main Switch	11 - 7
G060 5816	Bracket - Power Pack	69 - 13
G060 5822	Bracket - Safety Switch	53 - 19
G060 5823	Bracket - Door Switch	53 - 18
G060 5829	Upper Spring Plate - Rack	71 - 1
G060 5847	Rack - Inner Back Application	71 - 13
G060 5849	Left Rear Cover	71 - 4
G060 5853	Grip - Application	71 - 8
G060 5854	Panel Cover - Option	71 - 7
G060 5856	Bracket - Controller Board	71 - 14

Part No.	Description	Page and Index No.
G060 5861	Inner Back Lever - Door Switch	69 - 20
G060 5862	Cap - PSU	69 - 17
G060 5863	Bracket - PSU Fan	69 - 23
G060 5870	Clamp - M4.8	63 - 2
G060 5870	Clamp - M4.8	65 - 11
G060 5871	Clamp - M3.5	63 - 3
G060 5898	FCC Harness Cushion	73 - 4
G060 5899	FFC Harness Plate	73 - 3
G060 5982	Heat Sinker - PUG16	85 - 1
G060 6031	Bracket - Rear Lever	53 - 11
G060 6032	Bracket - Front Lever	53 - 13
G060 6033	Rear Holder Arm	53 - 7
G060 6034	Front Holder Arm	53 - 14
G060 6035	Detent Roller	53 - 9
G060 6036	Arm Shaft	53 - 10
G060 6037	Detent Shaft	53 - 8
G060 6038	Detent Spring	53 - 6
G060 6039	Grip - Cover	53 - 12
G060 6040	Cover - Fusing Unit Holder	53 - 5
G060 7011	Operation Panel - LT	9 - 4
G060 7111	Operation Panel - A4	9 - 4
G060 9099	Total Counter-RAM-STK12C68-P55	71 - 23
G065 2767	Lever - Feed	21 - 15
G065 2767	Lever - Feed	19 - 14
G065 2774	Pressure Lever	21 - 24
G065 2774	Pressure Lever	19 - 25
G065 2775	Link Lever	21 - 28
G065 2775	Link Lever	19 - 26
G065 2776	Release Lever	19 - 18
G065 2776	Release Lever	21 - 19
G077 1042	Duct:Imaging Unit	13 - 24
G077 1100	Drive Unit - K Development	61 - 3
G077 1117	Magnetic Clutch Holder	61 - 8
G077 1171	Bracket:Paper Feed:Drive	67 - 26
G077 1173	Tightener - Paper Feed 1	67 - 16

Part No.	Description	Page and Index No.
G077 1183	Plate Nut:M3	69 - 26
G077 1193	Cover:Duct:Fan:Ass'y	71 - 15
G077 1195	Duct - FFC Spacer	69 - 5
G077 1262	Cover:Front	9 - 24
G077 1268	Rear Cover	9 - 9
G077 1275	Upper Cover - Exit Tray	11 - 32
G077 1556	Lower Controller Duct	69 - 3
G077 1560	Duct:Power Supply Unit:Upper Position	69 - 8
G077 1904	Cover:Polygon Scanner:Peen	13 - 20
G077 1906	Shield:Cover:Polygon Scanner:1	13 - 21
G077 1907	Shield:Cover:Polygon Scanner:2	13 - 22
G077 1971	Grip:Imaging Unit	13 - 19
G077 1972	Stopper:Grip	13 - 18
G077 2796	Link:Paper Size Sensor Board	17 - 25
G077 2798	Cover:Paper Size Sensor	17 - 16
G077 2839	Guide:Remove Paper Dust:Ass'y	23 - 5
G077 4070	Bracket:Thermistor	47 - 14
G077 4462	Gear:Pulley:18z27t	55 - 3
G077 4464	Bracket:Gear:Floppy Disk:Peen	55 - 2
G077 5520	Harness - FFC M	13 - 17
G077 5521	Harness - FFC C	13 - 16
G077 5522	Harness - FFC Y	13 - 15
G077 5523	Harness - FFC K	13 - 14
G077 5820	Guide Plate - Upper Rack	69 - 9
G077 5821	Guide Plate:Left Upper:Peen	51 - 2
G077 5841	Application Rack Assy	71 - 2
G077 5848	Bracket - Harness	71 - 3
G081 5785	IC - COMIC	85 - 2
G211 2005	PCU - CMY	35 - 1
G219 3001	Development Unit:C:M-PAC:ASS'Y	35 - 3
G219 3002	Development Unit:M:M-PAC:ASS'Y	35 - 4
G219 3003	Development Unit:Y:M-PAC:ASS'Y	35 - 2
G313 2782	Shield	15 - 3
G313 2782	Shield	17 - 7
H072 2236	Spacer - M12x6.2	65 - 5

Part No.	Description	Page and Index No.
H519 1157	Bushing	39 - 33

Part No.	Description	Page and Index No.
N830 6701	Flash Memory Card - 4MB	103 - 2

Part No.	Description	Page and Index No.
AA00 0217	Decal - LD 655	13 - 9
AA00 0217	Decal - LD 655	101 - 1
AA00 0218	Caution Decal	101 - 2
AA00 0218	Caution Decal	13 - 7
AA00 0401	Decal - High Temperature	77 - 16
AA00 0401	Decal - High Temperature	101 - 3
AA00 0542	Decal - Laser Class 1	101 - 4
AA04 3298	Timing Belt:Drive:Transfer Belt	41 - 1
AA04 3559	Timing Belt - S2M370	63 - 5
AA04 3561	Timing Belt - 40S3M318	67 - 2
AA04 3562	Timing Belt - 40S3M384	67 - 30
AA04 3563	Timing Belt - 40S3M162	67 - 19
AA04 3925	Timing Belt - S2M668	67 - 14
AA06 0691	Tension Spring	19 - 10
AA06 0691	Tension Spring	21 - 11
AA06 0693	Tension Spring	21 - 27
AA06 0693	Tension Spring	19 - 24
AA06 0862	Tension Spring	65 - 3
AA06 0863	Tension Spring	67 - 15
AA06 0908	Release Spring	21 - 26
AA06 0908	Release Spring	19 - 23
AA06 0917	Tension Spring:Tension:Transfer Belt	41 - 19
AA06 0919	Tension Spring:Tightener	41 - 16
AA06 0920	Spring:Blade	37 - 9
AA06 0921	Tension Spring:Shutter	51 - 13
AA06 0931	Tension Spring:Pressure:Bias	39 - 35
AA06 0932	Tension Spring:Stripper Pawls	45 - 26
AA06 3408	Spring - 8n	29 - 14
AA06 3499	Pressure Spring	27 - 33
AA06 3568	Pressure Spring	27 - 12
AA06 3613	Compression Spring	69 - 19
AA06 3616	Spring - 8n	23 - 21
AA06 3627	Coil - Tube Fuard	33 - 10
AA06 3627	Coil - Tube Fuard	31 - 6
AA06 3637	Compression Spring:Shutter:Collar	37 - 27

Part No.	Description	Page and Index No.
AA06 3638	Compression Spring	69 - 21
AA06 3656	Guide Coil - M Tube	31 - 8
AA06 3663	Compression Spring:4.9n	33 - 5
AA06 3663	Compression Spring:4.9n	31 - 20
AA06 3890	Compression Spring:Pressure:Transfer Roller	39 - 4
AA06 3890	Compression Spring:Pressure:Transfer Roller	43 - 5
AA06 3891	Compression Spring:Roller:Back Up	43 - 2
AA06 3892	Compression Spring:Earth	43 - 25
AA06 6594	Spring:Pickoff Pawl:Pressure Roller	45 - 21
AA07 1009	Slide Rail:Left:Ass'y	73 - 5
AA07 1010	Slide Rail:Right:Ass'y	73 - 11
AA08 0248	Bushing - 6mm	37 - 21
AA08 0257	Bushing - M6	61 - 2
AA08 2075	Bushing - M6	49 - 5
AA08 2101	Bushing - 6x10x6	27 - 7
AA08 2101	Bushing - 6x10x6	21 - 9
AA08 2101	Bushing - 6x10x6	61 - 9
AA08 2101	Bushing - 6x10x6	29 - 23
AA08 2101	Bushing - 6x10x6	55 - 7
AA08 2101	Bushing - 6x10x6	57 - 5
AA08 2101	Bushing - 6x10x6	41 - 18
AA08 2101	Bushing - 6x10x6	49 - 8
AA08 2101	Bushing - 6x10x6	9 - 18
AA08 2101	Bushing - 6x10x6	19 - 8
AA08 2102	Bushing - 6x10x6	21 - 16
AA08 2102	Bushing - 6x10x6	19 - 15
AA08 2102	Bushing - 6x10x6	57 - 17
AA08 2102	Bushing - 6x10x6	67 - 20
AA08 2104	Bushing - 8x12x7	29 - 24
AA08 2104	Bushing - 8x12x7	21 - 32
AA08 2125	Bushing:ON-OFF	39 - 21
AA10 0013	Snap Ring M6	67 - 3
AA10 0014	Retaining Ring C - Separate	19 - 5
AA10 0014	Retaining Ring C - Separate	21 - 6
AA10 0014	Retaining Ring C - Separate	27 - 1

Part No.	Description	Page and Index No.
AA12 0102	Discharge Brush - Exit	49 - 23
AA12 0102	Discharge Brush - Exit	57 - 15
AA13 2218	Spacer:Bracket:ON-OFF	39 - 17
AA13 2220	Spacer:Mm8.2:1mm	61 - 21
AA14 0655	Shaft - Paper Feed	21 - 14
AA14 0655	Shaft - Paper Feed	19 - 13
AA14 0656	Shaft - Gear	19 - 21
AA14 0656	Shaft - Gear	21 - 22
AA14 0728	Shaft:Separator:Drive	27 - 37
AA14 0833	Shaft:Positioning Pin	41 - 6
AA14 0834	Shaft:Drive:Brush Roller:Transmission	41 - 9
AA14 0836	Shaft:Positioning Pin:Right	41 - 11
AA14 3025	Stepped Screw - M3	27 - 22
AA14 3219	Stepped Screw	11 - 8
AA14 3219	Stepped Screw	63 - 11
AA14 3520	Shoulder Screw - M3	45 - 23
AA14 3716	Stepped Screw	55 - 21
AA14 3716	Stepped Screw	49 - 21
AA15 3461	Holder Seal	31 - 18
AA15 3461	Holder Seal	33 - 3
AA15 3462	Seal - C/Y	9 - 13
AA15 3463	Seal - Case M/Y	59 - 8
AB01 0106	Gear - 24Z	21 - 21
AB01 0106	Gear - 24Z	19 - 20
AB01 0107	Gear - 23Z	21 - 23
AB01 0107	Gear - 23Z	19 - 22
AB01 0114	Gear - Bias Roller	39 - 29
AB01 0121	Gear:Drum:Z303:M0.3	61 - 13
AB01 0122	Gear:Middle:Collar:Z140	61 - 16
AB01 0124	Gear:Idler:Brush Roller:Large	41 - 24
AB01 0125	Gear:Drive:Brush Roller:Front	41 - 17
AB01 0127	Gear:Idler:Brush Roller:Small	41 - 23
AB01 0128	Gear:Roller:Driven	39 - 25
AB01 0130	Gear:Drive:Brush Roller:Rear	41 - 26
AB01 0130	Gear:Drive:Brush Roller:Rear	37 - 22

Part No.	Description	Page and Index No.
AB01 1188	Gear - 21Z	19 - 4
AB01 1188	Gear - 21Z	21 - 5
AB01 1218	Gear - Roller Clutch	21 - 8
AB01 1218	Gear - Roller Clutch	19 - 7
AB01 1241	Gear - Z15	67 - 12
AB01 1387	Gear - 23Z	27 - 10
AB01 1416	Gear - 20Z	27 - 36
AB01 1417	Gear - Separation Driven	27 - 35
AB01 1418	Gear - 27Z	27 - 16
AB01 1480	Gear:Brush Roller:Front	37 - 11
AB01 1481	Gear:Idler:Cleaning Unit	37 - 12
AB01 2021	Gear:Idler:Drive	47 - 10
AB01 2022	Gear:Pressure:Drive	47 - 3
AB01 2023	Gear:Fusing	45 - 16
AB01 2024	Gear:Idler:Pressure:Exit:Z19	47 - 19
AB01 2321	Gear:Pulley:25z:30t	55 - 5
AB01 2322	Gear:Idler:29z	57 - 2
AB01 2323	Gear:Idler:19z	57 - 3
AB01 3868	Gear - 16Z	17 - 3
AB01 4037	Gear - 24Z	67 - 24
AB01 4038	Gear - 22Z	67 - 22
AB01 7540	Gear - Z28/Z29	67 - 11
AB01 7542	Gear - 15Z/30Z	67 - 18
AB01 7543	Gear - Z25/T26	67 - 6
AB01 7544	Gear - Z25/T20	67 - 27
AB01 7545	Gear - Z28/Z21	67 - 7
AB01 7633	Gear:Toner Recycling:Z105-t28	61 - 15
AB01 7634	Gear - Z18/Z29	67 - 13
AB01 7635	Gear - Z15/Z17	67 - 10
AB01 7641	Gear - Z28/T35	67 - 1
AB03 0685	Idle Pulley - M15	65 - 8
AB03 0686	Registration Timing Pulley	65 - 6
AB03 0690	Timing Pulley - T20	67 - 5
AB03 0710	Timing Pulley - 20T	67 - 23
AB03 0739	Pulley:Tightener	41 - 14

Part No.	Description	Page and Index No.
AC01 5035	Shield Glass	13 - 13
AD04 1081	Cleaning Blade:Ass'y	37 - 7
AD04 2047	Brush Roller:Cleaning	37 - 6
AD04 3081	Toner Collection Coil:Cleaning	37 - 23
AD04 7034	Entrance Seal:Cleaning	37 - 4
AE01 0037	Hot Roller:Mm29	45 - 18
AE02 0120	Pressure Roller	47 - 4
AE03 0041	Ball Bearing -20x32x7	47 - 1
AE03 0044	Ball Bearing - 10x22x6	45 - 17
AE04 4050	Stripper Pawl	45 - 22
AE04 4051	Pickoff Pawl:Belt:Fusing	45 - 25
AF01 3006	Bottom Plate Pad	15 - 11
AF01 3006	Bottom Plate Pad	17 - 18
AF01 3016	Bottom Plate Pad	27 - 31
AF01 7023	End Fence	15 - 12
AF01 7024	End Fence - Universal	17 - 19
AF02 0404	Transport Roller	21 - 3
AF02 2135	Driven Roller - M3x16	29 - 16
AF02 3022	Driven Roller - M2xmm17	23 - 26
AF02 3023	Driven Roller - M3xmm17	23 - 22
AF03 0049	Pick-up Roller	21 - 4
AF03 0049	Pick-up Roller	27 - 11
AF03 0049	Pick-up Roller	19 - 3
AF03 1046	Feed Roller - Manual Feed	27 - 2
AF03 1049	Feed Roller	21 - 7
AF03 1049	Feed Roller	19 - 6
AF03 2046	Separation Roller - Manual Feed	27 - 3
AF03 2049	Separation Roller	21 - 29
AF03 2049	Separation Roller	19 - 28
AF04 0592	Exit Roller:FU	49 - 19
AF04 0593	Roller:Driven:Fu	49 - 14
AF04 0594	Transport Roller:Exit:Vertical Transport	49 - 15
AF04 0595	Roller:Driven:Connecting	49 - 33
AF04 0596	Transport Roller:Floppy Disk	57 - 11
AF04 0597	Exit Roller:Floppy Disk	55 - 11

Part No.	Description	Page and Index No.
AG07 0020	Magnet Catch:37n	49 - 3
AG07 1011	Magnet Catch	77 - 9
AG07 1011	Magnet Catch	11 - 19
AH01 0009	Rubber Pad - H5	9 - 23
AW01 0048	Photosensor - GP2A28N1	29 - 6
AW01 0098	Photointerrupter - GP2A231LRSA	29 - 11
AW02 0069	Photointerruptor	23 - 18
AW02 0120	Photointerruptor - Flat	61 - 7
AW02 0120	Photointerruptor - Flat	67 - 31
AW02 0120	Photointerruptor - Flat	57 - 7
AW02 0120	Photointerruptor - Flat	19 - 11
AW02 0120	Photointerruptor - Flat	21 - 12
AW02 0120	Photointerruptor - Flat	27 - 26
AW02 0120	Photointerruptor - Flat	51 - 8
AW02 0120	Photointerruptor - Flat	75 - 16
AW02 0121	Photointerruptor - Square	73 - 8
AW02 0121	Photointerruptor - Square	57 - 16
AW02 0132	Optics Sensor:Toner End Sensor	31 - 22
AW02 0132	Optics Sensor:Toner End Sensor	33 - 8
AW02 0136	Photointerruptor:Set Sensor	77 - 13
AW10 0065	Thermistor - 103AT-4	13 - 6
AW10 0077	Thermistor:Fusing	45 - 15
AW10 0083	Thermistor:Pressure	47 - 7
AW14 0009	Humidity Sensor - RHU-232	31 - 14
AW50 0023	Push Switch	31 - 17
AW50 0023	Push Switch	63 - 10
AW50 0023	Push Switch	65 - 15
AW50 0025	Set Sensor - Collection Bottle	73 - 10
AX06 0212	Polygon Mirror Motor - DC24W	13 - 2
AX20 0134	Magnetic Clutch - 245mn·m	27 - 17
AX20 0220	Magnetic Clutch - Registration	67 - 4
AX20 0221	Magnetic Clutch - Paper Feed	67 - 21
AX20 0244	Magnetic Clutch - Development	61 - 10
AX40 0109	Heater - 120V 9W	77 - 17
AX40 0110	Heater - 230V 9W	77 - 17

Part No.	Description	Page and Index No.
AX43 0065	Fusing Lamp - 120V 350W	47 - 5
AX43 0070	Fusing Lamp - 230V 350W	47 - 5
AX44 0169	Heater:120V:700W	45 - 12
AX44 0176	Heater:230V:700W	45 - 12
AX64 0103	Fan Motor - DC2.4W	69 - 7
AX64 0123	Fan Motor - DC1.68W	69 - 2
AX64 0135	Cooling Fan - 24V	69 - 22
AZ23 0107	Power Supply Unit:J-P2:277W:DOM/NA	69 - 18
AZ23 0108	Power Supply Unit 277W:EU/AA/CHN	69 - 18
AZ32 0115	Power Pack:Tpacl:P2	43 - 23
GA00 0028	Decal:Fusing:Warning	101 - 7
GA00 1003	Decal - Grip B1	53 - 3
GA00 1003	Decal - Grip B1	101 - 8
GA00 1004	Decal - Grip B2	49 - 27
GA00 1004	Decal - Grip B2	101 - 9
GA00 3009	Sheet - Toner Supply	9 - 10
GA00 3010	Decal - Manual Feed	25 - 8
GA00 3010	Decal - Manual Feed	101 - 10
GA00 3014	Decal - Paper Tray	101 - 11
GA00 3016	Decal - Y Toner Supply	31 - 23
GA00 3016	Decal - Y Toner Supply	101 - 12
GA00 3017	Decal - M Toner Supply	101 - 12
GA00 3017	Decal - M Toner Supply	31 - 25
GA00 3018	Decal - C Toner Supply	101 - 12
GA00 3018	Decal - C Toner Supply	31 - 24
GA00 3019	Decal - K Toner Supply	101 - 12
GA00 3019	Decal - K Toner Supply	33 - 12
GA00 3025	Decal - Drum Stay	11 - 12
GA00 3025	Decal - Drum Stay	101 - 13
GA00 3029	Decal - Vertical Transport	53 - 4
GA00 3029	Decal - Vertical Transport	101 - 14
GA00 3030	Decal - Shielding Plate Y	33 - 17
GA00 3030	Decal - Shielding Plate Y	101 - 15
GA00 3031	Decal - Shielding Plate M	101 - 15
GA00 3031	Decal - Shielding Plate M	33 - 21



Part No.	Description	Page and Index No.
GA00 3032	Decal - Shielding Plate C	101 - 15
GA00 3032	Decal - Shielding Plate C	33 - 19
GA00 3033	Decal - Shielding Plate K	101 - 15
GA00 3033	Decal - Shielding Plate K	33 - 15
GA00 3034	Decal - Energystar	101 - 16
GA00 3034	Decal - Energystar	9 - 31
GA00 3037	Decal - Power Source	101 - 17
GA00 3038	Decal - Inkjet Paper Caution	9 - 11
GA00 3038	Decal - Inkjet Paper Caution	25 - 9
GA00 3038	Decal - Inkjet Paper Caution	101 - 18
GA00 3044	Decal - Vertical Transport 2	25 - 17
GA00 3044	Decal - Vertical Transport 2	27 - 29
GA00 3044	Decal - Vertical Transport 2	101 - 19
GA00 3055	Decal:Fusing Unit:Positioning Display	101 - 20
GA00 3055	Decal:Fusing Unit:Positioning Display	53 - 16
GA00 3066	Decal:Paper Tray:No.1	15 - 9
GA00 3066	Decal:Paper Tray:No.1	101 - 21
GA00 3067	Decal:Paper Tray:No.2:Left	17 - 24
GA00 3067	Decal:Paper Tray:No.2:Left	101 - 22
GA00 3068	Decal:Paper Tray:No.2:Right	17 - 2
GA00 3068	Decal:Paper Tray:No.2:Right	101 - 23
GA00 3069	Decal:Toner Supply:English	101 - 24
GA01 2000	Upper Filter	11 - 1
GA01 2001	Lower Filter	11 - 2
GA06 0057	Tension Spring - 9.7n	47 - 17
GZ32 0009	Power Pack - CB	69 - 11

Part No.	Description	Page and Index No.
0313 0060B	Philips Pan Head Screw - M3x6	29 -102
0353 0040B	Screw - M3X4	51 -104
0353 0040B	Screw - M3X4	47 -108
0353 0040B	Screw - M3X4	57 -104
0353 0060B	Philips Pan Head Screw - M3x6	71 -102
0353 0080B	Screw - M3X8	55 -106
0354 0060B	Screw - M4X6	15 -103
0354 0060B	Screw - M4X6	17 -104
0360 3006B	Screw - M3X6	23 -103
0450 3006B	Tapping Screw - M3x6	55 -104
0450 3006B	Tapping Screw - M3x6	29 -108
0450 3006B	Tapping Screw - M3x6	27 -102
0450 3008B	Tapping Screw - M3x8	23 -104
0450 3008B	Tapping Screw - M3x8	19 -107
0450 3008B	Tapping Screw - M3x8	21 -101
0450 3008B	Tapping Screw - M3x8	39 -102
0450 3008B	Tapping Screw - M3x8	17 -102
0450 3008B	Tapping Screw - M3x8	49 -102
0450 3008B	Tapping Screw - M3x8	47 -101
0450 3008B	Tapping Screw - M3x8	41 -106
0450 3008B	Tapping Screw - M3x8	31 -102
0450 3008B	Tapping Screw - M3x8	37 -101
0450 3008B	Tapping Screw - M3x8	45 -105
0450 3008B	Tapping Screw - M3x8	61 -102
0450 3008B	Tapping Screw - M3x8	27 -103
0450 3008B	Tapping Screw - M3x8	11 -102
0450 3008B	Tapping Screw - M3x8	43 -101
0450 3008B	Tapping Screw - M3x8	33 -104
0450 3008B	Tapping Screw - M3x8	9 -102
0450 3008H	Tapping Screw - M3x8	25 -102
0450 3008H	Tapping Screw - M3x8	27 -101
0450 3008H	Tapping Screw - M3x8	53 -102
0450 4008B	Tapping Screw - 4x8	17 -105
0450 4008B	Tapping Screw - 4x8	15 -101
0450 4035B	Philips Tapping Screw - M4x35	69 -106

Part No.	Description	Page and Index No.
0451 3005B	Tapping Screw - M3x5	61 -104
0451 3006B	Tapping Screw - M3x6	39 -101
0451 3006B	Tapping Screw - M3x6	29 -101
0451 3006B	Tapping Screw - M3x6	41 -101
0451 3006B	Tapping Screw - M3x6	63 -102
0451 3006B	Tapping Screw - M3x6	31 -101
0451 3006B	Tapping Screw - M3x6	73 -101
0451 3006B	Tapping Screw - M3x6	27 -104
0451 3006B	Tapping Screw - M3x6	71 -101
0451 3006B	Tapping Screw - M3x6	33 -102
0451 3006B	Tapping Screw - M3x6	37 -102
0451 3006B	Tapping Screw - M3x6	21 -106
0451 3006B	Tapping Screw - M3x6	69 -101
0451 3006B	Tapping Screw - M3x6	9 -104
0451 3006B	Tapping Screw - M3x6	65 -101
0451 3006B	Tapping Screw - M3x6	11 -105
0451 3006B	Tapping Screw - M3x6	61 -101
0451 3006B	Tapping Screw - M3x6	59 -102
0451 3006B	Tapping Screw - M3x6	57 -102
0451 3006B	Tapping Screw - M3x6	67 -101
0451 3006B	Tapping Screw - M3x6	55 -101
0451 3006B	Tapping Screw - M3x6	75 -102
0451 3006B	Tapping Screw - M3x6	19 -106
0451 3006B	Tapping Screw - M3x6	51 -102
0451 3006B	Tapping Screw - M3x6	49 -101
0451 3006B	Tapping Screw - M3x6	23 -101
0451 3006B	Tapping Screw - M3x6	47 -102
0451 3006B	Tapping Screw - M3x6	77 -102
0451 3006B	Tapping Screw - M3x6	45 -102
0451 3006H	Tapping Screw - 3x6	63 -106
0451 3008B	Tapping Screw - M3x8	37 -105
0451 3008B	Tapping Screw - M3x8	59 -101
0451 3008B	Tapping Screw - M3x8	63 -101
0451 3008B	Tapping Screw - M3x8	31 -103
0451 3008B	Tapping Screw - M3x8	21 -105

Part No.	Description	Page and Index No.
0451 3008B	Tapping Screw - M3x8	33 -101
0451 3008B	Tapping Screw - M3x8	19 -105
0451 3008H	Tapping Screw - M3x8	11 -101
0451 3008H	Tapping Screw - M3x8	9 -101
0451 3010B	Tapping Screw - M3x10	73 -102
0451 3010B	Tapping Screw - M3x10	13 -102
0451 3010B	Tapping Screw - M3x10	55 -107
0451 3014B	Tapping Screw - M3-14	23 -108
0451 4006B	Tapping Screw - 4x6	77 -103
0452 3006B	Tapping Screw - M3x6	55 -105
0452 3008B	Tapping Screw - M3x8	55 -103
0452 3008B	Tapping Screw - M3x8	19 -101
0452 3008B	Tapping Screw - M3x8	17 -101
0452 3008B	Tapping Screw - M3x8	13 -101
0452 3008B	Tapping Screw - M3x8	11 -106
0452 3010B	Tapping Bind Screw - M3x10	13 -103
0453 3006B	Tapping Screw - M3x6	57 -103
0453 3006B	Tapping Screw - M3x6	51 -103
0720 0030E	Retaining Ring - M3	53 -103
0720 0040E	Retaining Ring - M4	55 -109
0720 0040E	Retaining Ring - M4	57 -107
0720 0040E	Retaining Ring - M4	67 -107
0720 0040E	Retaining Ring - M4	19 -103
0720 0040E	Retaining Ring - M4	9 -103
0720 0040E	Retaining Ring - M4	37 -104
0720 0040E	Retaining Ring - M4	47 -107
0720 0040E	Retaining Ring - M4	23 -102
0720 0040E	Retaining Ring - M4	21 -103
0720 0040E	Retaining Ring - M4	29 -104
0720 0040E	Retaining Ring - M4	45 -107
0720 0040E	Retaining Ring - M4	27 -106
0720 0040E	Retaining Ring - M4	41 -102
0720 0040E	Retaining Ring - M4	39 -105
0720 0060E	Retaining Ring - M6	39 -103
0720 0060E	Retaining Ring - M6	17 -103

Part No.	Description	Page and Index No.
0720 0060E	Retaining Ring - M6	15 -102
0720 0060E	Retaining Ring - M6	53 -104
0720 0060E	Retaining Ring - M6	19 -104
0720 0060E	Retaining Ring - M6	41 -103
0720 0060E	Retaining Ring - M6	29 -105
0720 0060E	Retaining Ring - M6	21 -104
0725 0100E	Retaining Ring C - M10	45 -106
0725 0200E	Retaining Ring C - M20	47 -106
0740 3508	Ball Bearing -8x14x4	39 -104
0801 0150	Philips Screw - M4x8	69 -104
0802 5286	Tapping Screw	69 -105
0802 5291	Tapping Screw:Round Point:M3x6	57 -101
0802 5291	Tapping Screw:Round Point:M3x6	75 -101
0802 5291	Tapping Screw:Round Point:M3x6	27 -105
0802 5291	Tapping Screw:Round Point:M3x6	55 -102
0802 5291	Tapping Screw:Round Point:M3x6	69 -102
0802 5291	Tapping Screw:Round Point:M3x6	51 -101
0802 5291	Tapping Screw:Round Point:M3x6	77 -101
0802 5291	Tapping Screw:Round Point:M3x6	25 -101
0802 5291	Tapping Screw:Round Point:M3x6	53 -101
0802 5291	Tapping Screw:Round Point:M3x6	65 -102
0802 5292	Tapping Screw:Round Point:M3x8	11 -104
0802 5292	Tapping Screw:Round Point:M3x8	29 -103
0802 5292	Tapping Screw:Round Point:M3x8	65 -103
0804 6075	Hexagonal Bolt - M3x8	37 -103
0804 6075	Hexagonal Bolt - M3x8	45 -101
0804 6075	Hexagonal Bolt - M3x8	47 -104
0805 0089	Retaining Ring - M4	67 -102
0805 0089	Retaining Ring - M4	21 -102
0805 0089	Retaining Ring - M4	49 -103
0805 0089	Retaining Ring - M4	19 -102
0805 0092	Retaining Ring - 3m	49 -104
0805 3524	Bearing - M3x6x2.5	41 -104
0805 3524	Ball Bearing - M3x6x2.5	39 -106
0805 3525	Bearing	41 -105

Part No.	Description	Page and Index No.
0951 4008B	Philips Screw With Washer - M4x8	61 -103
0954 3008B	Philips Screw - M3x8	69 -103
0954 3010B	Philips Screw - M3x10	45 -104
0954 3010B	Philips Screw - M3x10	47 -103
0957 3008B	Philips Screw - M3x8	45 -103
0957 3008B	Philips Screw - M3x8	47 -105
1101 0328	Connector Pin Contact	97 -101
1102 2391	Connector - HIF3FB-40PA-2.54DSA	85 -101
1102 4205	CT Header - 6P	85 -102
1102 5303	Connector - 4P	85 -103
1102 6246	Relay Connector - 4P	69 -109
1102 7029	Connector - 8p - 53375-0810	97 -102
1102 7460	Connector - FH12-50S-0.5SH	97 -103
1102 7615	Connector - B8B-XH-A	85 -104
1102 7785	Connector - 57RE40360830BD29B	85 -105
1102 8153	Connector - FCN-568P068-G/05A-V4	85 -106
1102 8355	Connector - DIMM - DMM2-SD72A-1131	85 -107
1102 8357	Connector - 52777-0809	85 -108
1102 8373	Connector - RJHS-5381	85 -109
1102 8469	Connector - 55447-0510	97 -104
1102 8470	Connector - 55447-0610	97 -105
1102 8473	Connector - 55447-0910	97 -106
1102 8478	Connector - 55447-1410	97 -107
1102 8482	Connector - 55447-1810	97 -108
1102 8485	Connector - 55451-2210	97 -109
1102 8486	Connector - 55451-2410	97 -110
1102 8487	Connector - 55451-2610	97 -111
1102 8489	Connector - 55451-3010	97 -112
1102 8491	Connector - 55451-3410	97 -113
1102 8492	Connector - 55451-3610	97 -114
1102 8493	Connector - 55451-3810	97 -115
1102 8494	Connector - 55451-4010	97 -116
1102 8516	Connector - DIMM-20-6403-144-121-856	85 -110
1102 8519	Connector - MI2 99RH139-9236	63 -103
1102 8522	Connector - 53375-1510	97 -117

Part No.	Description	Page and Index No.
1102 8534	Connector - QR/P17-14S-B	65 -111
1102 8535	Connector - QR/P17-14P-A	65 -107
1102 8559	Connector - 9730S-200C-GF	97 -118
1102 8582	Connector - IMSA-9730B-200A-GF	85 -111
1102 8583	Connector - 440024-1	85 -112
1102 8584	Connector - 52777-0409	85 -113
1102 9386	Connector:Drawer:55949-2631	65 -108
1102 9387	Connector:Drawer:51405-2611	41 -109
1104 0511	IC Socket - 8p - DICF-8CS-E	85 -114
1104 0764	IC Socket - 8 PIN	97 -119
1104 0771	IC Socket - 28PIN	85 -115
1105 0367	Spacer	69 -108
1105 0367	Spacer	71 -103
1105 0487	Harness Clamp	71 -104
1105 0487	Harness Clamp	29 -107
1105 0487	Harness Clamp	23 -107
1105 0487	Harness Clamp	31 -105
1105 0487	Harness Clamp	73 -104
1105 0487	Harness Clamp	67 -105
1105 0487	Harness Clamp	65 -105
1105 0487	Harness Clamp	63 -104
1105 0488	Harness Clamp	63 -109
1105 0488	Harness Clamp	65 -110
1105 0488	Harness Clamp	67 -103
1105 0488	Harness Clamp	53 -106
1105 0488	Harness Clamp	73 -107
1105 0489	Harness Clamp - LWS 1316	65 -109
1105 0489	Harness Clamp - LWS 1316	63 -110
1105 0489	Harness Clamp - LWS 1316	73 -105
1105 0489	Harness Clamp - LWS 1316	67 -106
1105 0489	Harness Clamp - LWS 1316	71 -105
1105 0490	Harness Clamp - IWS-2218	65 -106
1105 0490	Harness Clamp - IWS-2218	71 -106
1105 0490	Harness Clamp - LWS 2218	63 -111
1105 0511	Harness Clamp - LWS-0306ZC	31 -104

Part No.	Description	Page and Index No.
1105 0511	Harness Clamp - LWS-0306ZC	69 -107
1105 0511	Harness Clamp - LWS-0306ZC	41 -107
1105 0511	Harness Clamp - LWS-0306ZC	51 -105
1105 0511	Harness Clamp - LWS-0306ZC	53 -105
1105 0511	Harness Clamp - LWS-0306ZC	65 -104
1105 0511	Harness Clamp - LWS-0306ZC	57 -105
1105 0511	Harness Clamp - LWS-0306ZC	61 -105
1105 0511	Harness Clamp - LWS-0306ZC	55 -108
1105 0511	Harness Clamp - LWS-0306ZC	73 -106
1105 0511	Harness Clamp - LWS-0306ZC	77 -104
1105 0511	Harness Clamp - LWS-0306ZC	67 -104
1105 0511	Harness Clamp - LWS-0306ZC	63 -107
1105 0511	Harness Clamp - LWS-0306ZC	23 -105
1105 0516	Clamp	63 -105
1105 0516	Clamp	65 -112
1105 0516	Clamp	41 -108
1105 0516	Clamp	53 -107
1105 0522	Edge Saddle - Les0510	69 -110
1105 0522	Edge Saddle - Les0510	29 -106
1105 0522	Edge Saddle - Les0510	33 -103
1105 0522	Edge Saddle - Les0510	75 -103
1105 0522	Edge Saddle - Les0510	73 -103
1105 0522	Edge Saddle - Les0510	77 -105
1105 0522	Edge Saddle - Les0510	57 -106
1105 0522	Edge Saddle - Les0510	31 -106
1105 0522	Edge Saddle - LES0510	63 -108
1105 0522	Edge Saddle - Les0510	61 -106
1105 0522	Edge Saddle - Les0510	65 -113
1105 0544	Edge Saddle:Les-2017	69 -111
1105 0551	Clamp:Les-0505	23 -106
1107 0555	Fuse - 4A	85 -116
1107 0629	Fuse (Ceramic Case) - 15A - 125V	69 -112
1107 0879	Fuse - 5A 250V (230V)	69 -113
1107 0908	Fuse - 10A 125V	69 -113
1107 0958	Fuse:434003.NR	97 -120

Part No.	Description	Page and Index No.
1107 0989	Fuse - Ke10	97 -121
1204 1385	Push Switch	85 -117
1204 2478	DIP Switch:4p	97 -122
1204 2521	Micro Switch	23 -109
1204 2533	Switch - AJ76200PZ02	11 -103
1204 2623	Rocker Switch:AJ7100B	65 -114
1204 2637	DIP Switch - 71D-04	85 -118
1400 0556	Transistor - DTB143EK	97 -123
1400 0767	Transistor:DTA114EUA	97 -124
1400 0810	Transistor:DTC114EUA	97 -125
1400 0855	Transistor - 2SA1235A	97 -126
1400 0857	Transistor - RT1N141C	97 -127
1400 0891	Transistor - RT1N136C	85 -119
1402 0595	Diode Array - DAN202K	97 -128
1402 0596	Diode-array - DAP202K	97 -129
1402 0708	Diode - 1SS272	97 -130
1402 1336	Diode - 1SS355	97 -131
1402 1336	Diode - 1SS355	85 -120
1402 1343	Diode - RB106L-40	85 -121
1402 1662	Diode:PTZ6.2B	97 -132
1402 1663	Diode - ZTP12B	97 -133
1403 0907	Diode - SML-310LT	97 -134
1403 0953	LED - SML-310MT	97 -135
1403 1033	LED - SML-310YT	97 -136
1407 1535	IC - TD62308AP	97 -137
1407 1596	TTLIC - SN74LS14NS	97 -138
1407 1600	TTLIC - SN74LS244NS	97 -139
1407 2052	TTLIC - SN74LS74ANS	97 -140
1407 2187	TTLIC - SN74LS07NS	85 -122
1407 2187	TTLIC - SN74LS07NS	97 -141
1407 2219	IC - TD62003AP	97 -142
1407 3281	IC - TC74HCU04AF	97 -143
1407 3290	IC - TC74HC02AF	97 -144
1407 3380	HS-C2MOS - TC74HTCT04AF	97 -145
1407 4687	IC - TA8083F	97 -146

Part No.	Description	Page and Index No.
1407 4870	Cmosic - 74VHC08 TSSOP	97 -147
1407 4919	IC - 74VHCT244 TSSOP	85 -123
1407 5122	IC - CMOS LOGIC-TC74ACT374FT	85 -124
1407 5151	IC - MBM29F160TE70TN	97 -148
1407 5161	CPU- HD64F2633WF25	97 -149
1407 5255	Clock Generator - FS741BZB	97 -150
1407 5275	CMOS Logic - 74LVCHR16245A TSSOP	85 -125
1407 5281	IC - EEPROM-I2C BUS 1K SOP	85 -126
1407 5293	CMOS Logic - 74ALVCH16827 TSSOP	85 -127
1407 5300	CMOS Logic - 74LVC16244A TSSOP	85 -128
1407 5309	IC - MICROWIRE BUS 1K DIP	85 -129
1407 5320	CMOS Logic 74LVC374A TSSOP	85 -130
1407 5321	CMOS Logic - 74LVCH16374A TSSOP	85 -131
1407 5322	IC - CMOS LOGIC SN74LVC161284DGG	85 -132
1407 5329	Clock Generator - W211B	85 -133
1407 5334	IC - CMOS LOGIC 74LVC244A TSSOP	85 -134
1407 5343	IC - SN74LV240APW	97 -151
1407 5346	IC - SN74LS74ANS	97 -152
1407 5347	IC - SN74LV08APW	97 -153
1407 5353	IC - SN74LV244APW	97 -154
1407 5376	IC - SN74LV32APW	97 -155
1407 5429	IC - SN74LVU04APW	97 -156
1407 5509	IC - SN74AHCT08PW	97 -157
1407 5538	CPU - D6432633WG00F	97 -158
1407 5674	IC - LVDS- DP83846AVHG	85 -135
1407 5751	IC - NVRAM I2C BUS 64K DIP	71 -107
1407 5870	Clock Generator:IMIC5002BTB	85 -136
1407 5880	CPU:RM7000B-500T-REV1.0	85 -137
1408 0575	IC - M51957BFP	85 -138
1408 0810	IC - BA10358F	97 -160
1408 1065	Comparator - BA10339F	97 -161
1408 1082	D/A Converter - M62354FP	97 -162
1408 1095	IC - BA10324AF	97 -163
1408 1204	IC - TA8083P	97 -164
1408 1223	Ditector - RN5VD42C	97 -165

Part No.	Description	Page and Index No.
1408 1295	IC - UPC2933T	97 -166
1408 1398	Detector - RN5VD42A	97 -167
1408 1507	Regulator - PQ05VY3H3Z	85 -139
1408 1535	Transistor Array - M54585P	97 -168
1408 1550	IC - LM2902PW	97 -169
1408 1555	Regulator - L1087MP-3.3	97 -170
1408 1561	Series Regulator - Q5ev3	85 -140
1503 0842	Oscillator - 14.31818MHZ	85 -141
1503 0885	Crystal Oscillator - 10MHZ	97 -171
1503 0903	Crystal Oscillator- 12.5mhz	97 -172
1503 0946	Crystal Oscillator - 9.8304mhz	97 -173
1503 0959	Crystal Oscillator - 25MHZ	85 -142
1503 1007	Crystal Oscillator - 25mhz	97 -174
1601 7752	Resistor Array - 10K $\Omega$ $\pm$ 5%	85 -143
1601 7833	Resistor Array -330 $\Omega$ $\pm$ 5% 1/16W	85 -144
1601 7867	Resistor - 33 $\Omega$ $\pm$ 5% 1/16W	85 -207
1601 7867	Resistor - 33 $\Omega$ $\pm$ 5% 1/16W	85 -145
1601 7871	Resistor - 68 $\Omega$ $\pm$ 5% 1/16W	85 -146
1601 7872	Resistor Array - 220 $\Omega$ $\pm$ 5% 1/16W	85 -147
1601 7879	Resistor - 22 $\Omega$ $\pm$ 5% 1/16W	85 -148
1601 7887	Resistor Array - 10K $\Omega$ $\pm$ 5% 1/32W	97 -175
1601 7898	Resistor Array	97 -176
1601 7915	Resistor Array - 33 $\Omega$ $\pm$ 5% 1/16W	85 -149
1601 7915	Resistor Array - 33 $\Omega$ $\pm$ 5% 1/16W	97 -177
1601 7919	Resistor - 10K $\Omega$ $\pm$ 5% 1/16W 8	97 -178
1601 7926	Resistor - 68 $\Omega$ $\pm$ 5% 1/16W 8	97 -179
1601 7927	Resistor Array - 1K $\Omega$ $\pm$ 5% 1/16W	97 -180
1601 7928	Resistor Array - 4.7K $\Omega$ $\pm$ 5% 1/16W	97 -181
1601 7929	Resistor Array - 100K $\Omega$ $\pm$ 5% 1/16W	97 -182
1601 7933	Resistor Array - 100 $\Omega$ $\pm$ 5% 1/16W	97 -183
1601 7933	Resistor Array - 100 $\Omega$ $\pm$ 5% 1/16W	85 -150
1601 7934	Resistor Array - 150 $\Omega$ $\pm$ 5% 1/16W	97 -184
1601 7943	Resistor Array - 68 $\Omega$ $\pm$ 5% 1/32W	97 -185
1601 7959	Resistor	97 -186
1601 7981	Resistor Array - 100K $\Omega$ $\pm$ 5% 1/16W	97 -187

Part No.	Description	Page and Index No.
1604 4333	Capacitor - 100 $\mu$ F $\pm$ 20% 10V	85 -151
1604 4365	Capacitor - 470 $\mu$ F 16V $\pm$ 20%	85 -152
1604 5064	Capacitor 47 $\mu$ F: $\pm$ 20%:50V	97 -188
1604 5065	Capacitor 10 $\mu$ F: $\pm$ 20%:50V	97 -189
1604 5066	Capacitor 100 $\mu$ F: $\pm$ 20%:50V	97 -190
1604 5067	Capacitor 10 $\mu$ F: $\pm$ 20%:35V	97 -191
1604 5068	Capacitor:47 $\mu$ F: $\pm$ 20%:25V	97 -192
1604 5069	Capacitor 47 $\mu$ F: $\pm$ 20%:16V	97 -193
1604 5070	Capacitor:100 $\mu$ F: $\pm$ 20%:10V	97 -194
1604 5071	Capacitor 47 $\mu$ F: $\pm$ 20%:6.3V	97 -195
1604 5072	Capacitor 22 $\mu$ F: $\pm$ 20%:6.3V	97 -196
1605 1025	Capacitor - 1000pF $\pm$ 10% 2KV	85 -153
1605 1071	Capacitor - 1 $\mu$ F $\pm$ 10% 25V	85 -154
1605 1072	Capacitor - 4.7 $\mu$ F $\pm$ 10% 16V	85 -155
1605 1081	Capacitor - 10 $\mu$ F +80-20% 25V	85 -156
1605 1085	Ceramic Capacitor - 0.082 $\mu$ F $\pm$ 10% 1	85 -157
1605 1127	Capacitor - 8 $\pm$ 0.5pF 50V	85 -158
1605 1148	Capacitor - 0.1 $\mu$ F +80-20% 50V	97 -197
1605 1162	Capacitor - 10 $\mu$ F +80 -20% 10V	85 -159
1605 1184	Capacitor 7pf $\pm$ 0.5pf:50V	97 -198
1605 1212	Capacitor - 470pF $\pm$ 10% 50V	85 -160
1605 1295	Capacitor:10 $\mu$ F:+80-20%:10V	85 -161
1607 0824	Filter - BLM11A601SPB	85 -162
1607 0987	Inductor - TLA-6T103	85 -163
1607 1002	IC - NFM60R30T222	97 -199
1607 1020	Filter - MMZ1608Y121B	97 -200
1607 1206	Filter - ACC2012L-250	85 -164
1607 1275	Filter - ACF321825-221	97 -201
1607 1276	Filter - ACF321825-331	97 -202
1607 1296	Filter - MMZ1608S601A	97 -203
1610 1486	Resistor - 2K $\Omega$ $\pm$ 0.5% 1/16W	85 -165
1610 1693	Resistor - 330 $\Omega$ $\pm$ 5% 1/1W	97 -204
1631 0000	Resistor - 0 $\Omega$ 1/4W	97 -205
1632 0000	Resistor - 0 $\Omega$ 1/8W	85 -166
1634 0000	Resistor - 0 $\Omega$ 1/16W	97 -206

Part No.	Description	Page and Index No.
1634 0000	Resistor - 0 $\Omega$ 1/16W	85 -167
1644 0470	Capacitor - 47 $\mu$ F $\pm$ 20% 10V	85 -168
1644 6101	Capacitor - 100 $\mu$ F $\pm$ 20% 6.3V	85 -169
1650 2271	Resistor - 270 $\Omega$ $\pm$ 5% 1/4W	85 -170
1650 2680	Resistor - 68 $\Omega$ $\pm$ 5% 1/4W	97 -207
1650 2750	Resistor - 75 $\Omega$ $\pm$ 5% 1/4W	85 -171
1650 3109	Resistor - 1 $\Omega$ $\pm$ 5% 1/8W	85 -172
1650 3221	Resistor - 220 $\Omega$ $\pm$ 5%1/8W	97 -208
1650 3271	Resistor - 270 $\Omega$ $\pm$ 5% 1/8W	85 -173
1650 3561	Resistor - 560 $\Omega$ $\pm$ 5% 1/8W	85 -174
1650 3821	Resistor - 820 $\Omega$ $\pm$ 5% 1/8W	97 -209
1650 4100	Resistor - 10 $\Omega$ $\pm$ 5% 1/10W	97 -210
1650 4101	Resistor - 100 $\Omega$ $\pm$ 5%1/10W	97 -211
1650 4102	Resistor - 1K $\Omega$ $\pm$ 5% 1/10W	97 -212
1650 4103	Resistor - 10K $\Omega$ $\pm$ 5% 1/10W	97 -213
1650 4103	Resistor - 10K $\Omega$ $\pm$ 5% 1/10W	85 -175
1650 4104	Resistor - 100K $\Omega$ $\pm$ 5%1/10W	97 -214
1650 4104	Resistor - 100K $\Omega$ $\pm$ 5%1/10W	85 -176
1650 4105	Resistor - 1M $\Omega$ $\pm$ 5% 1/10W	97 -215
1650 4122	Resistor - 1.2K $\Omega$ $\pm$ 5% 1/10W	85 -177
1650 4150	Resistor - 15 $\Omega$ $\pm$ 5% 1/10W	85 -178
1650 4152	Resistor - 1.5K $\Omega$ $\pm$ 5% 1/10W	97 -216
1650 4161	Resistor - 160 $\Omega$ $\pm$ 5% 1/10W	97 -217
1650 4162	Resistor - 1.6K $\Omega$ $\pm$ 5% 1/10W	97 -218
1650 4184	Resistor:180k $\Omega$ : $\pm$ 5%:1/10W	85 -179
1650 4201	Resistor - 200 $\Omega$ $\pm$ 5%1/10W	97 -219
1650 4204	Resistor - 200K $\Omega$ $\pm$ 5%1/10W	97 -220
1650 4220	Chip Resistor - 22 $\Omega$ $\pm$ 5% 1/10W	85 -180
1650 4222	Resistor - 2.2K $\Omega$ $\pm$ 5%1/10W	85 -181
1650 4222	Resistor - 2.2K $\Omega$ $\pm$ 5%1/10W	97 -221
1650 4302	Resistor - 3K $\Omega$ $\pm$ 5%1/10W	97 -222
1650 4330	Chip Resistor - 33 $\Omega$ $\pm$ 5% 1/10W	85 -182
1650 4330	Chip Resistor - 33 $\Omega$ $\pm$ 5% 1/10W	97 -223
1650 4332	Resistor - 3.3K $\Omega$ $\pm$ 5%1/10W	97 -224
1650 4362	Resistor - 3.6K $\Omega$ $\pm$ 5%1/10W	97 -225

Part No.	Description	Page and Index No.
1650 4470	Resistor - 47 $\Omega$ $\pm$ 5%1/10W	97 -226
1650 4470	Resistor - 47 $\Omega$ $\pm$ 5%1/10W	85 -183
1650 4472	Resistor - 4.7K $\Omega$ $\pm$ 5% 1/10W	85 -184
1650 4472	Resistor - 4.7K $\Omega$ $\pm$ 5% 1/10W	97 -227
1650 4511	Resistor - 510 $\Omega$ $\pm$ 5%1/10W	97 -228
1650 4512	Resistor - 5.1K $\Omega$ $\pm$ 5%1/10W	85 -185
1650 4562	Resistor - 5.6K $\Omega$ $\pm$ 5% 1/10W	97 -229
1650 4620	Resistor 62 $\Omega$ $\pm$ 5% 1/10W	85 -186
1650 4680	Resistor - 68 $\Omega$ $\pm$ 5%1/10W	97 -230
1650 4680	Resistor - 68 $\Omega$ $\pm$ 5%1/10W	85 -187
1650 4681	Resistor - 680 $\Omega$ $\pm$ 5% 1/10W	85 -188
1650 4681	Resistor - 680 $\Omega$ $\pm$ 5% 1/10W	97 -231
1650 4682	Resistor - 6.8K $\Omega$ $\pm$ 5% 1/10W	97 -232
1650 4750	Resistor - 75 $\Omega$ $\pm$ 5%1/10W	97 -233
1650 4753	Resistor - 75K $\Omega$ $\pm$ 5% 1/10W	85 -189
1652 4999	Resistor - 49.9 $\Omega$ $\pm$ 1% 1/4W	85 -190
1652 5499	Resistor - 54.9 $\Omega$ $\pm$ 1% 1/4W	85 -191
1654 1001	Resistor - 1K $\Omega$ $\pm$ 1%1/10W	85 -192
1654 1002	Resistor - 10K $\Omega$ $\pm$ 5%1/10W	97 -234
1654 1004	Chip Resistor - 1m $\Omega$ $\pm$ 1% 1/10W	97 -235
1654 1201	Resistor - 1.2K $\Omega$ $\pm$ 1% 1/10W	85 -193
1654 1601	Chip Resistor - 1.6k $\Omega$ $\pm$ 1% 1/10W	97 -236
1654 2001	Chip Resistor - 2k $\Omega$ $\pm$ 1% 1/10W	85 -194
1654 2002	Resistor - 20K $\Omega$ $\pm$ 1%1/10W	97 -237
1654 2402	Chip Resistor:24k $\Omega$ : $\pm$ 1%:1/10W	97 -238
1654 4220	Resistor - 422 $\Omega$ $\pm$ 1% 1/10W	85 -195
1654 4301	Resistor - 4.3K $\Omega$ $\pm$ 1%1/10W	97 -239
1654 5231	Resistor - 5.23K $\Omega$ $\pm$ 1%1/10W	97 -240
1654 8201	Resistor - 8.2K $\Omega$ $\pm$ 1% 1/10W	97 -241
1654 9311	Resistor - 9.31K $\Omega$ $\pm$ 1% 1/10W	85 -196
1660 0100	Capacitor - 10PF $\pm$ 0.5pF 50V	85 -197
1660 2101	Capacitor - 100pF - $\pm$ 10% - 50V	97 -242
1660 2121	Capacitor - 120pF $\pm$ 5% 50V	97 -243
1660 2150	Capacitor - 15pF $\pm$ 5% 50V	85 -198
1660 2220	Capacitor - 22pF $\pm$ 20% 35V	85 -199

Part No.	Description	Page and Index No.
1660 2220	Capacitor - 22pF $\pm 20\%$ 35V	97 -244
1660 2221	Capacitor - 220pF +80-20% 50V	97 -245
1660 2221	Capacitor - 220pF +80-20% 50V	85 -200
1660 2270	Capacitor - 27pF $\pm 20\%$ 35V	97 -246
1660 2330	Capacitor - 33pF - $\pm 5\%$ - 50V	85 -201
1660 2330	Capacitor - 33pF - $\pm 5\%$ - 50V	97 -247
1660 2471	Capacitor - 470pF - $\pm 5\%$ - 50V	85 -202
1660 2471	Capacitor - 470pF - $\pm 5\%$ - 50V	97 -248
1660 3330	Capacitor - 33pF $\pm 5\%$ 50V	85 -203
1660 4102	Capacitor - 1000pF $\pm 10\%$ 50V	97 -249
1660 4102	Capacitor - 1000pF $\pm 10\%$ 50V	85 -204
1660 4103	Capacitor - 10000pF - $\pm 10\%$ - 50V	97 -250
1660 4472	Capacitor - 4700PF $\pm 10\%$ 50V	97 -251
1660 6103	Capacitor - 10000pF - +80%-20%50V	97 -252
1660 6103	Capacitor - 10000pF - +80%-20%50V	85 -205
1660 6223	Capacitor - 22000pF +80 -20% 50V	97 -253
1660 6473	Capacitor - 47000pF +80,-20% 50V	97 -254
1660 8104	Capacitor - 0.1 $\mu$ F +80-20% 25V	97 -255
1660 8104	Capacitor - 0.1 $\mu$ F +80-20% 25V	85 -206
1902 0067	RAM:1M:X8:70NS:G17	97 -256

Part No.	Description	Page and Index No.
5206 2686	Snap Ring	19 - 17
5206 2686	Snap Ring	21 - 18
5215 2621	Snap Ring - M6	29 - 4
5215 2621	Snap Ring - M6	49 - 36
5447 2681	Snap Ring	63 - 9
5447 2681	Snap Ring	65 - 7



